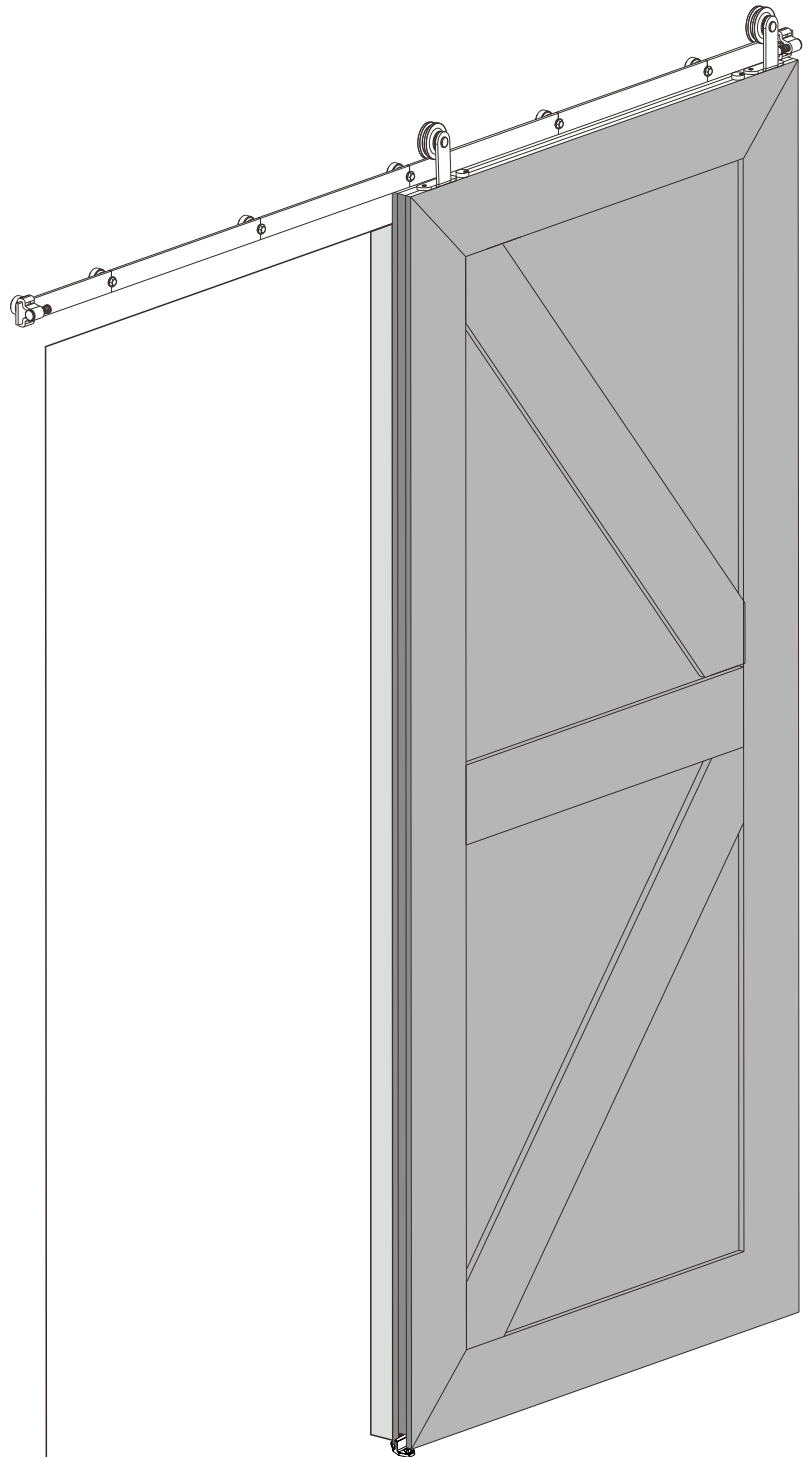
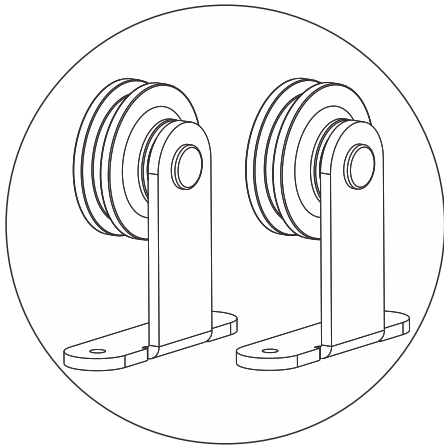


# Installation Guide



Refer to the installation video

7 ft



EC	REP
----	-----

Company: E-CrossStu GmbH  
 Address: Mainzer Landstr.69, 60329 Frankfurt am Main  
 Mail: E-CrossStu@web.de

UK	REP
----	-----

Company: YH Consulting Limited  
 Address: C/O YH Consulting Limited Office 147, Centurion House ,  
 London Road , Staines-upon-Thames , Surrey , TW18 4AX  
 Mail: H2YHUK@gmail.com



## A07STS-K

# WARNING and CAUTION !!!

## EN English

Please follow all safety operating procedures during installation. Pay attention to keep this product away from children.

## DE Deutsch

Bitte beachten Sie während der Installation alle Sicherheitsvorschriften. Achten Sie darauf, dieses Produkt von Kindern fernzuhalten.

## FR Français

Pendant l'installation, suivez toutes les procédures d'exploitation de sécurité. Prenez soin de garder ce produit loin des enfants.

## IT Italiano

Si prega di seguire tutte le procedure operative di sicurezza durante l'installazione. Prestare attenzione a tenere questo prodotto lontano dai bambini.

## ES Español

Durante la instalación, siga todos los procedimientos de operación de Seguridad. Preste atención a mantener este producto alejado de los niños.

## NL Nederlands

Volg alle veiligheidsprocedures tijdens de installatie. Let op om dit product uit de buurt van kinderen te houden.

## PL Polski

Podczas instalacji należy przestrzegać wszystkich procedur bezpieczeństwa. Zwróć uwagę, aby trzymać ten produkt z dala od dzieci.

## CZ Čeština

Během instalace dodržujte všechny bezpečnostní provozní postupy. Věnujte pozornost tomu, aby tento výrobek udržel dál od dětí.





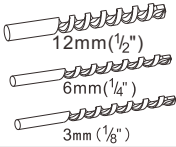

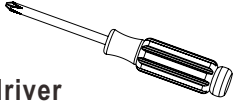
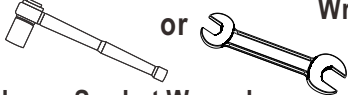
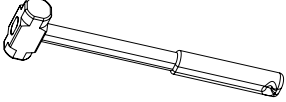
## SE Svenska

Följ alla säkerhetsrutiner under installationen. Var uppmärksam på att hålla denna produkt borta från barn.

## TR Türkçe

Lütfen kurulu sırasında tüm güvenlik işleme prosedürlerini takip edin. Bu ürünü çocuklardan uzak tutmak için dikkat et.

# Installation Tools (Please prepare in advance on your own)

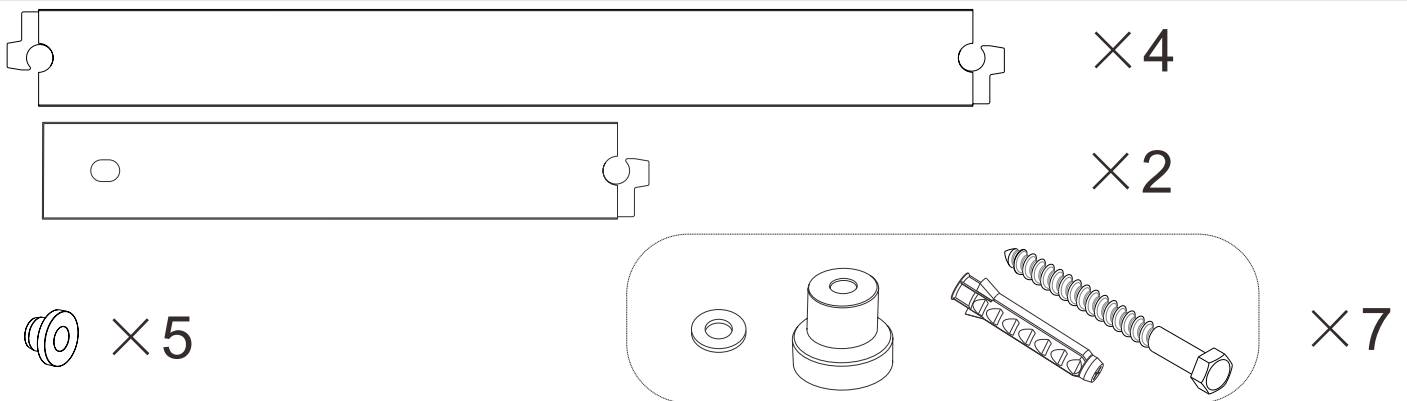
 <b>Tape Measure</b>	 <b>Levelling Instrument</b>	 <b>Stud Finder</b>
 <b>Marking Tools</b>	 <b>Drill Bits</b>	 <b>Electric Drill</b>
 <b>Phillips Screwdriver</b>	 <b>Long Sleeve Socket Wrench</b> or <b>Wrench</b>	 <b>Hammer</b>

website: <https://barndoorservice.com>

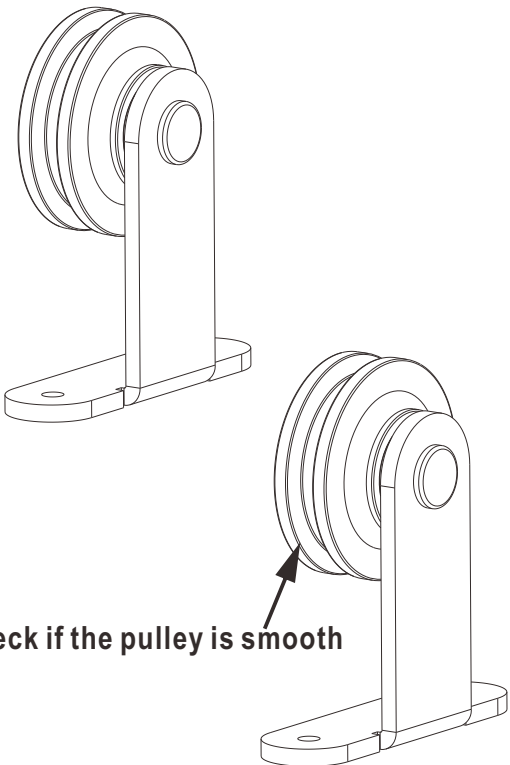
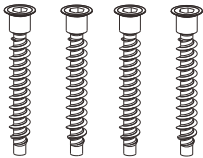
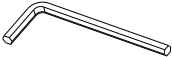

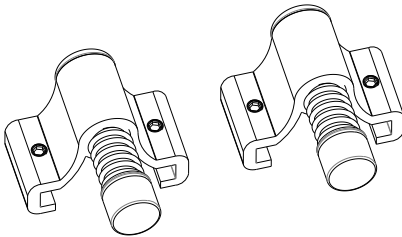
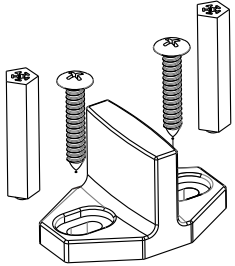
After receiving the goods, please check if all parts are complete. If there are any missing or damaged parts, please do not return them. Log in to the website to contact customer service, and we can replace them for free.

## Packing List

### Tracks and track accessories



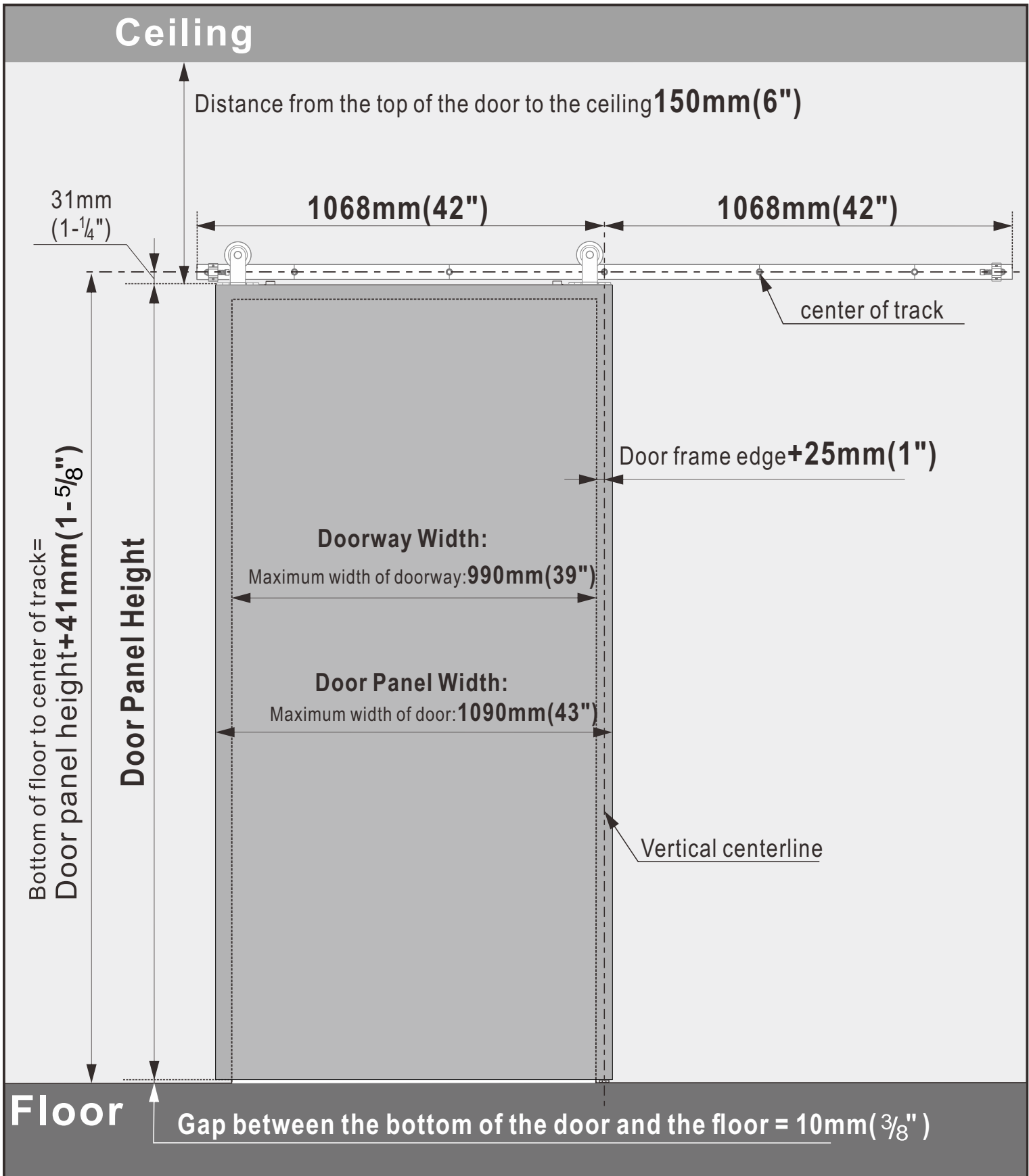
### Hangers and Hangers Accessories

 Check if the pulley is smooth	<b>Hook plate screw</b>	<b>Anti-slip Blocks</b>
	 	
	<b>Door Stoppers</b>	<b>Floor Guide</b>
		

# Note: Measurement Dimensions

Choose the appropriate door panel and track according to your own **Doorway width size**

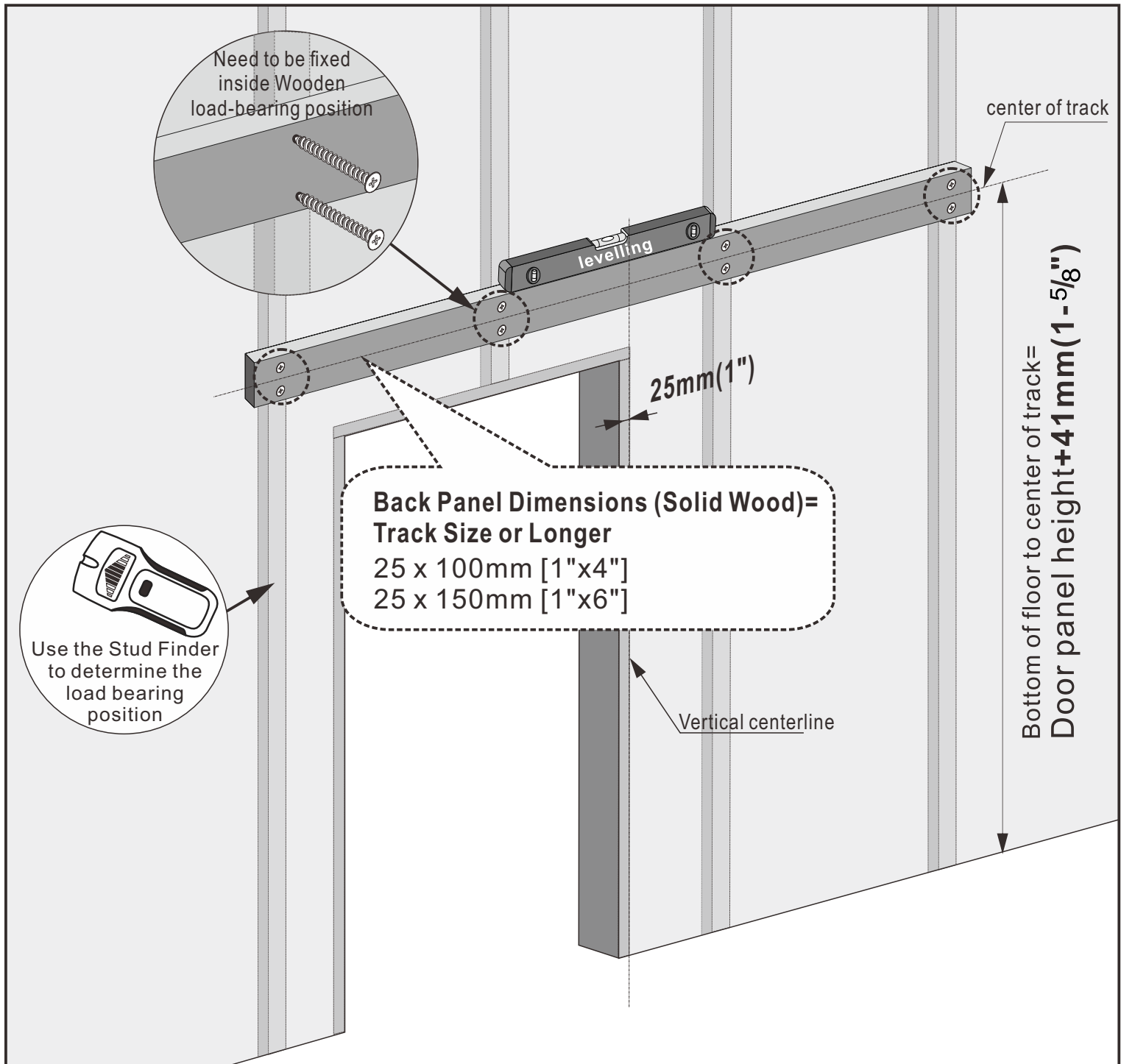
Doorway width	Door Panel Width	Door panel Height	Door Panel Thickness:	Door Panel Weight:
Maximum 990mm(21")	Doorway Width + 80~100mm(3-4")	The height of the door frame + 25~50mm(1-2")	30~48mm (1- <sup>3</sup> / <sub>16</sub> "~1- <sup>7</sup> / <sub>8</sub> ")	Max. 150kg(330lbs)



# Important Note!

## Situations where a back panel must be installed:

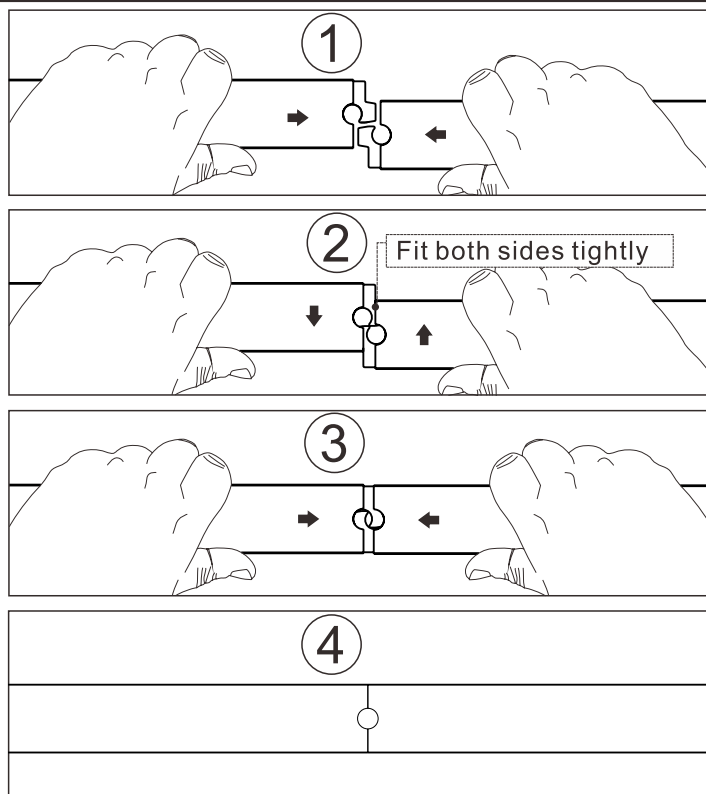
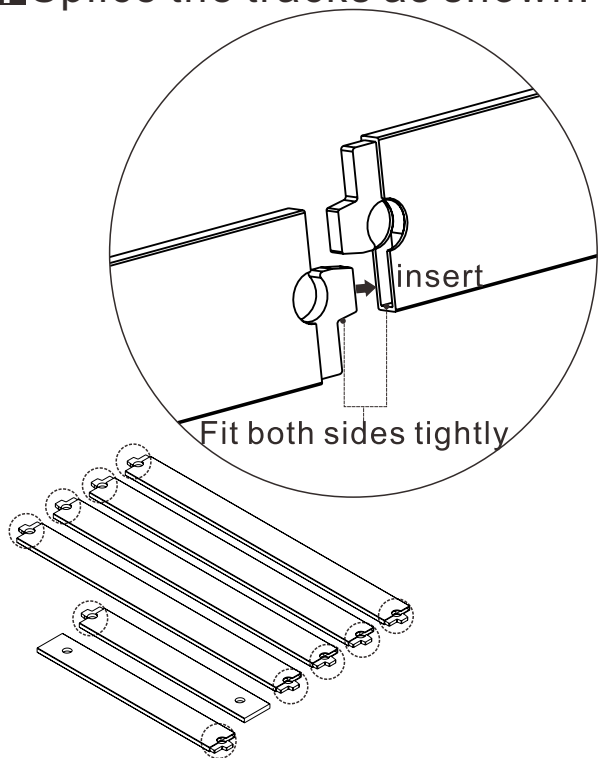
- 1 Doorway with decoration (e.g., with door frame or baseboard)
- 2 Wall made of drywall with a wooden load-bearing structure inside, not a concrete wall. Back Panel Dimensions (Solid Wood)=Track Size or Longer



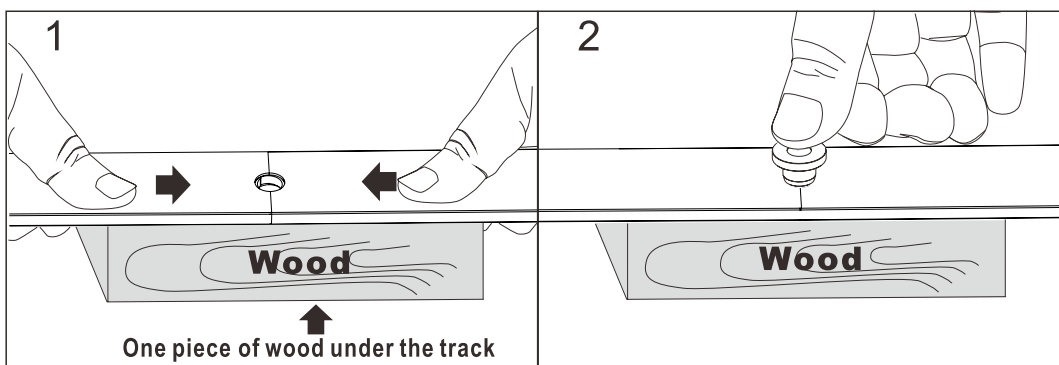
**Note:** Please prepare the back panel and the components for installing the back panel yourself.

# Step 1: Track Splicing

1 Splice the tracks as shown.

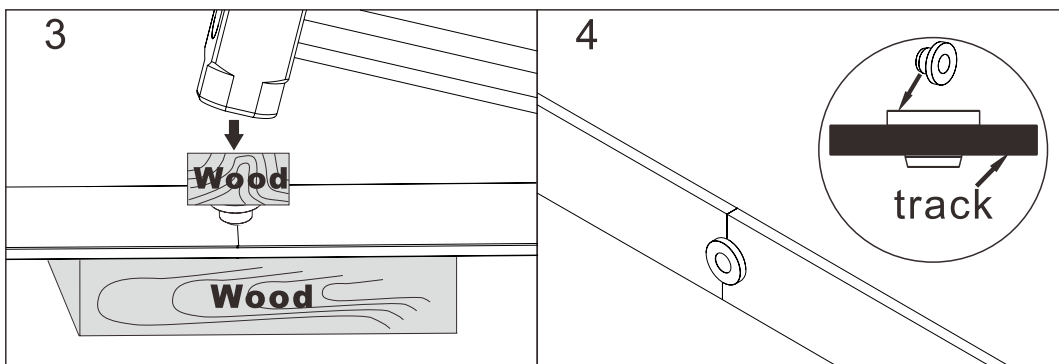


2 Strengthen the track



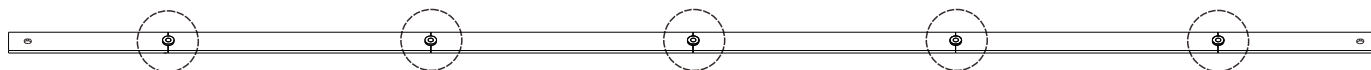
Flatten the tracks and squeeze the two tracks towards the middle

Put [pin icon] into the hole



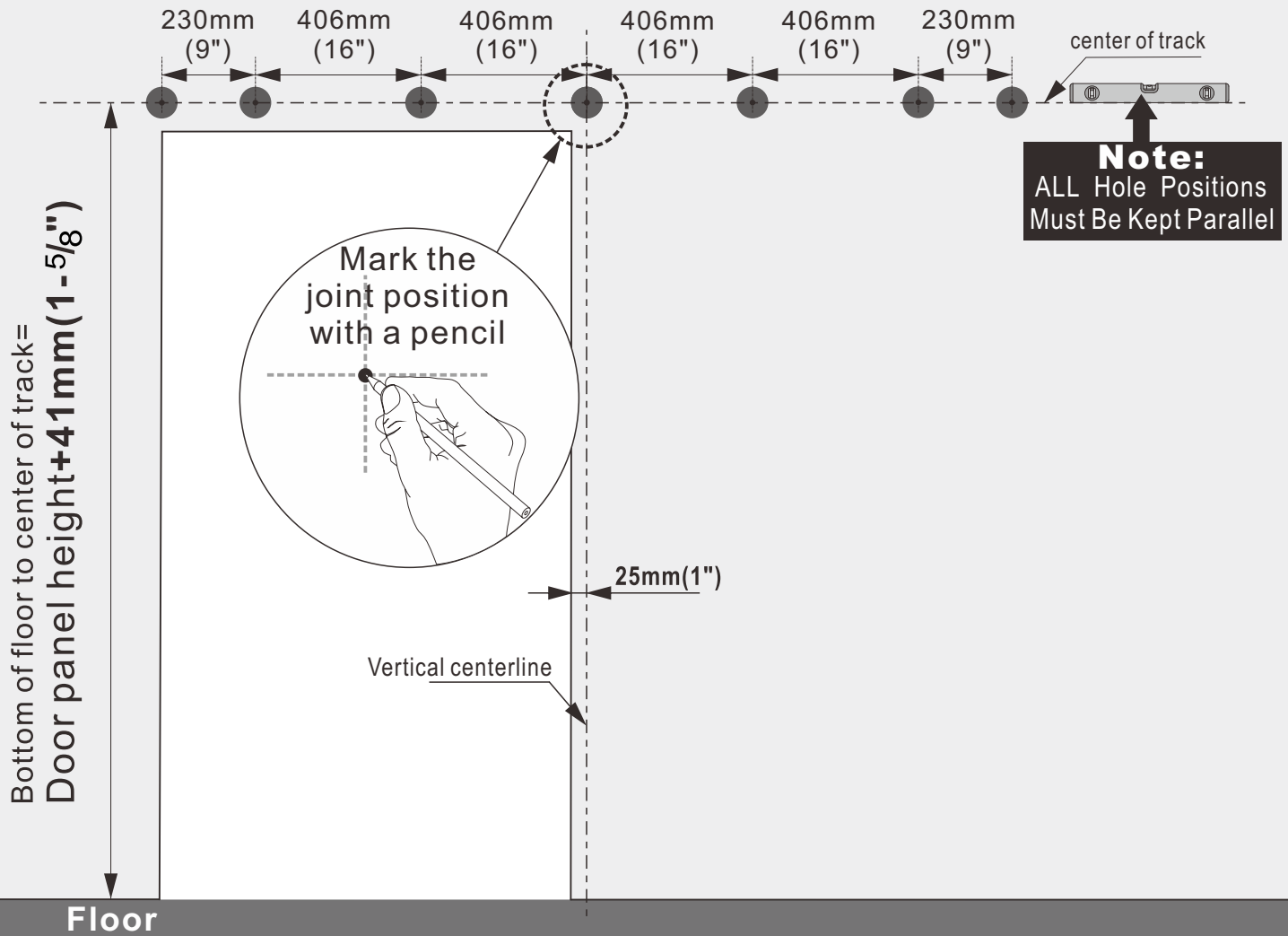
Place a piece of wood on top of use a hammer to secure it into the track

Then the track is connected firmly

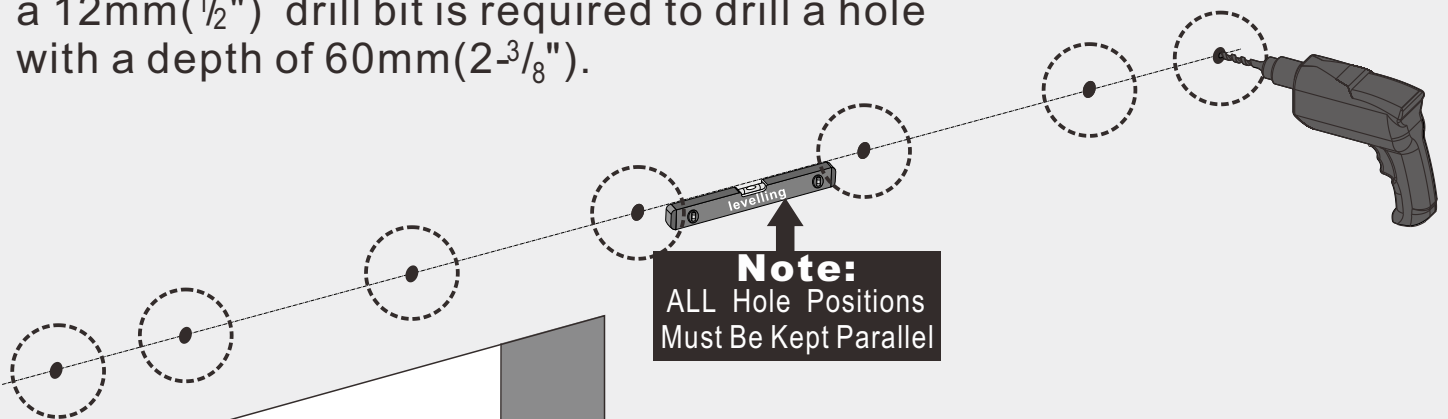


# Step 2: Install the Track

## 1 Measure from the center



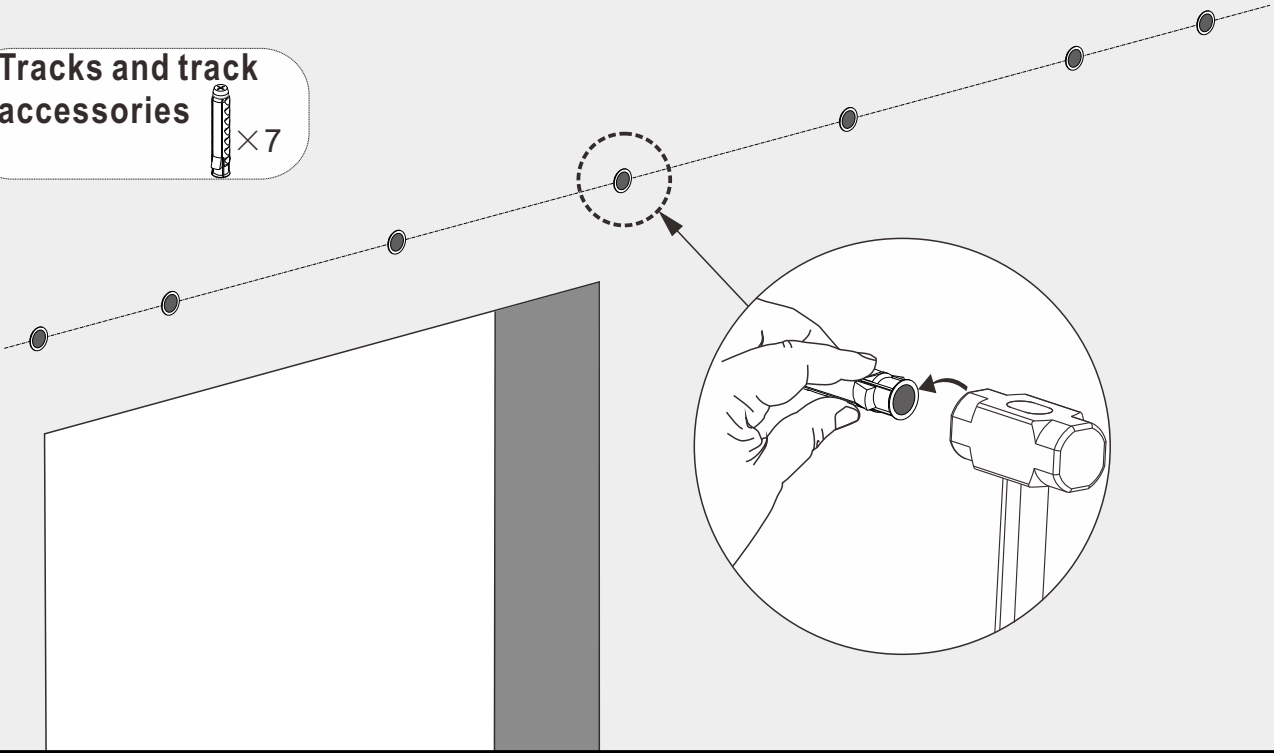
2 When inspecting the wall, **If it is a wooden wall**, a  $3\text{mm} (\frac{1}{8})$  drill bit is needed to drill a hole with a depth of  $60\text{mm} (2 - \frac{3}{8})$ ; **If it is a brick wall**, a  $12\text{mm} (\frac{1}{2})$  drill bit is required to drill a hole with a depth of  $60\text{mm} (2 - \frac{3}{8})$ .



Wooden wall	Brick wall
<p><b>Drill holes</b> Diameter = <math>3\text{mm} (\frac{1}{8})</math> Depth = <math>60\text{mm} (2 - \frac{3}{8})</math></p>	<p><b>Drill holes</b> Diameter = <math>12\text{mm} (\frac{1}{2})</math> Depth = <math>60\text{mm} (2 - \frac{3}{8})</math></p>

**3** Use a hammer to firmly tap the **Expansion plug** into the holes.

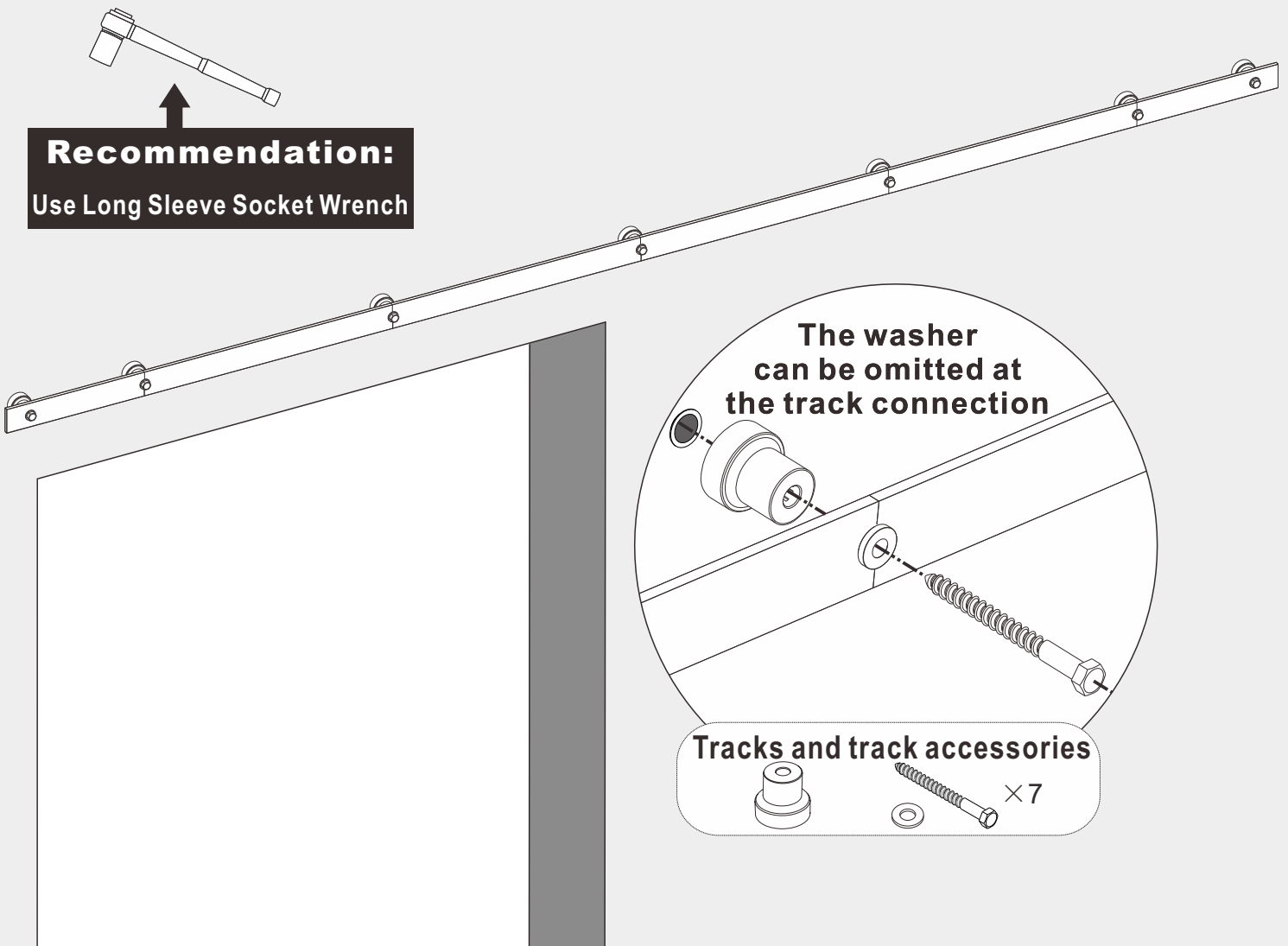
Tracks and track accessories  ×7



**Note:** If the wall is made of wood or if a wooden back panel has already been installed, please skip this step.

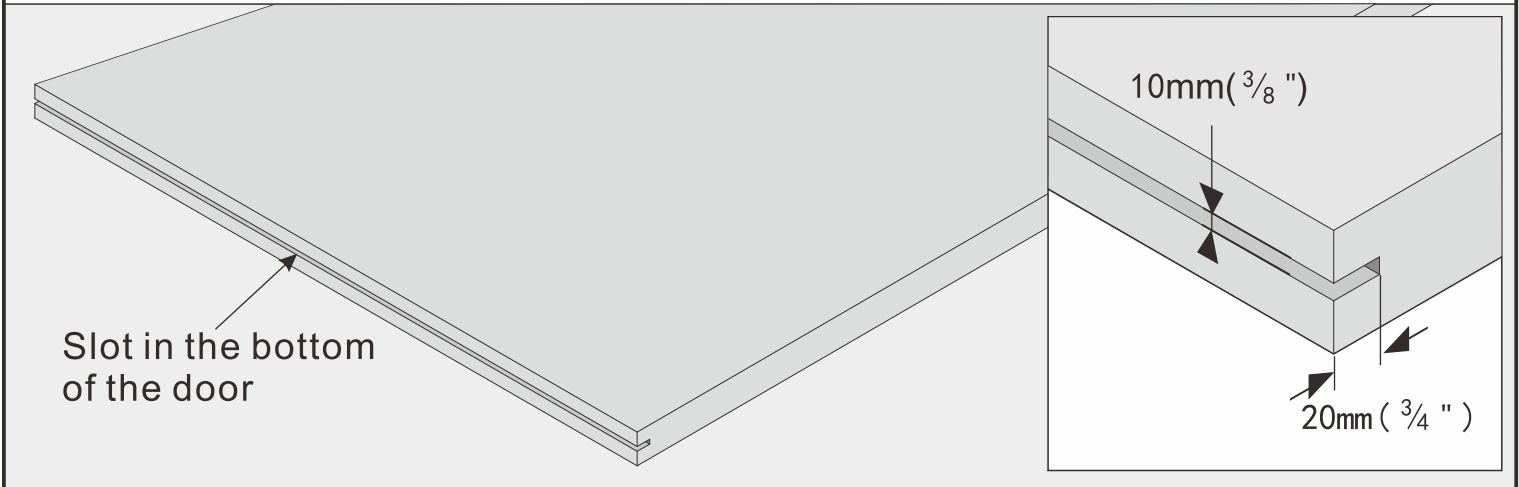
**4** Install the track as shown in the diagram.

**Recommendation:**  
Use Long Sleeve Socket Wrench



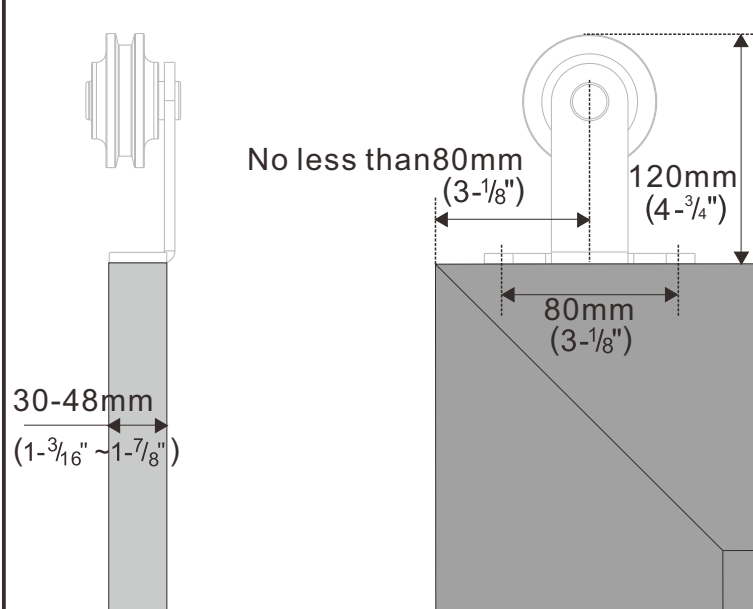
# Step 3: Slot the bottom of the door panel and install the hook plate

## Slotting according to size

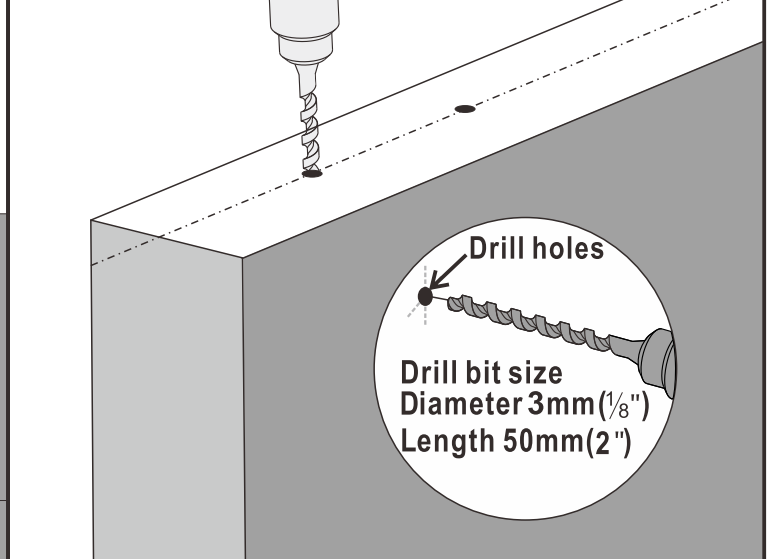


If you have other kinds of roller floor guide, you can skip the slots and ignore this step

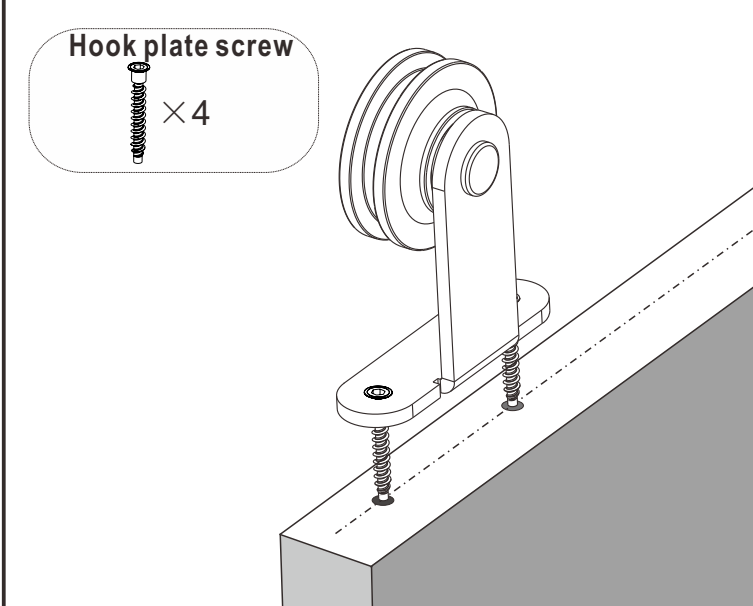
### ① Marking the location of drill holes



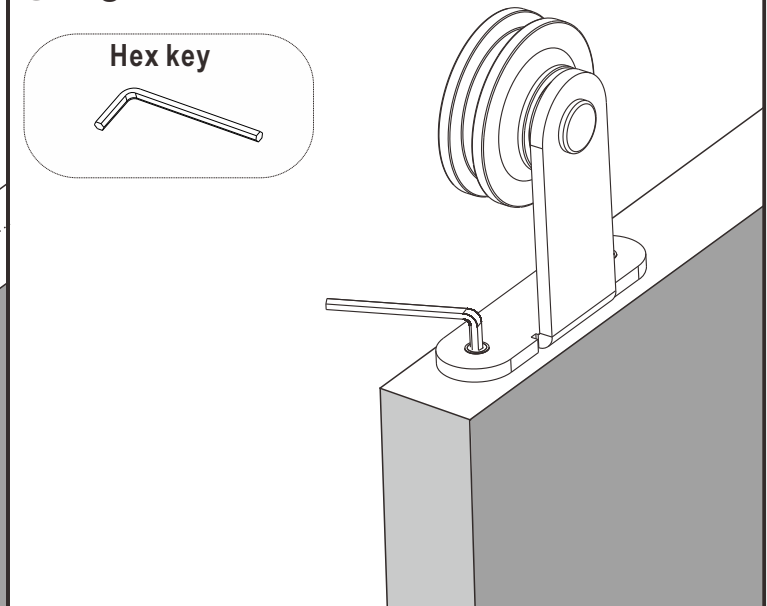
### ② Drilling a hole 50mm (2") deep with a 3mm (1/8") drill.



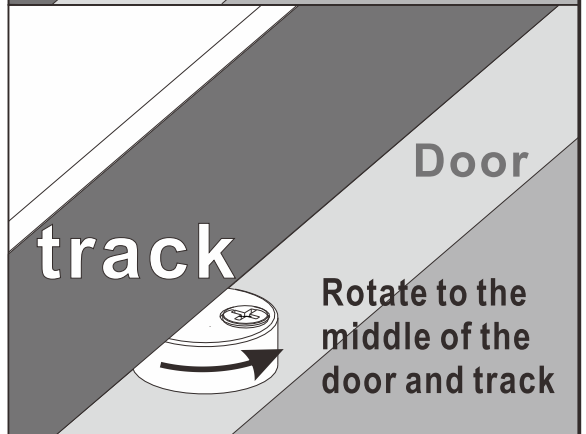
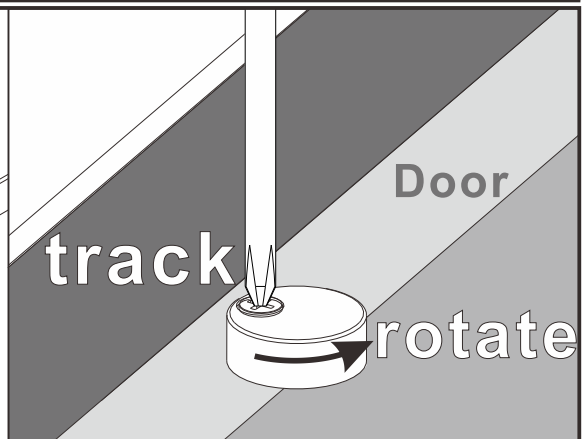
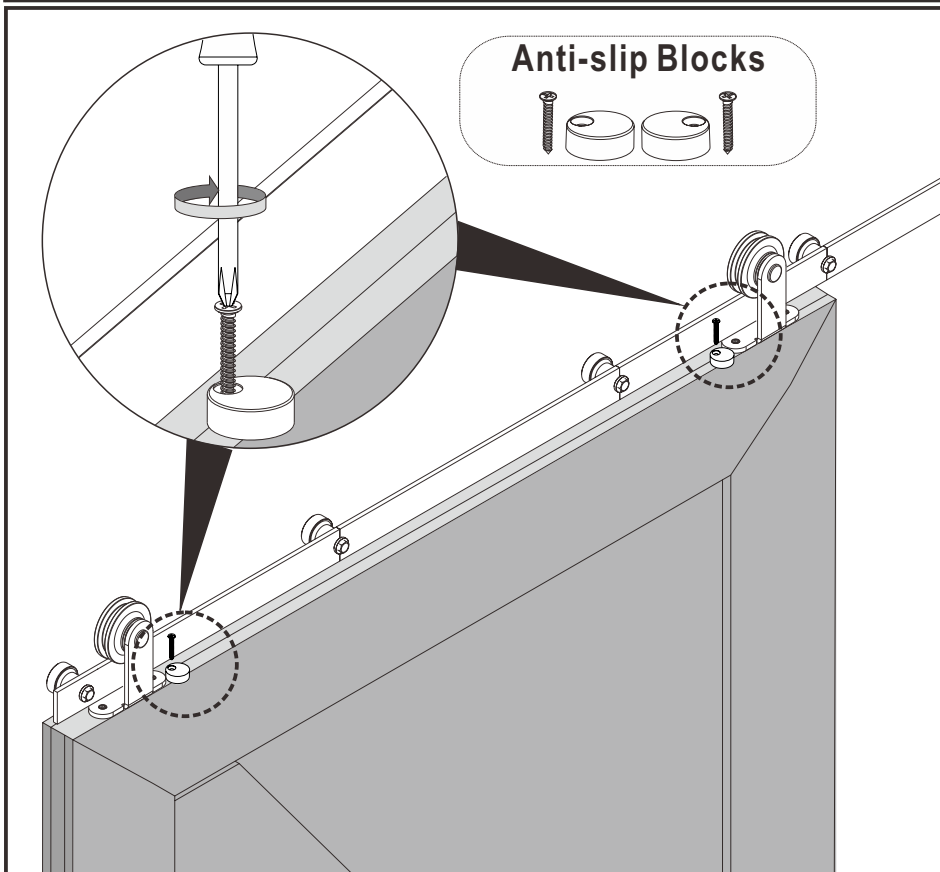
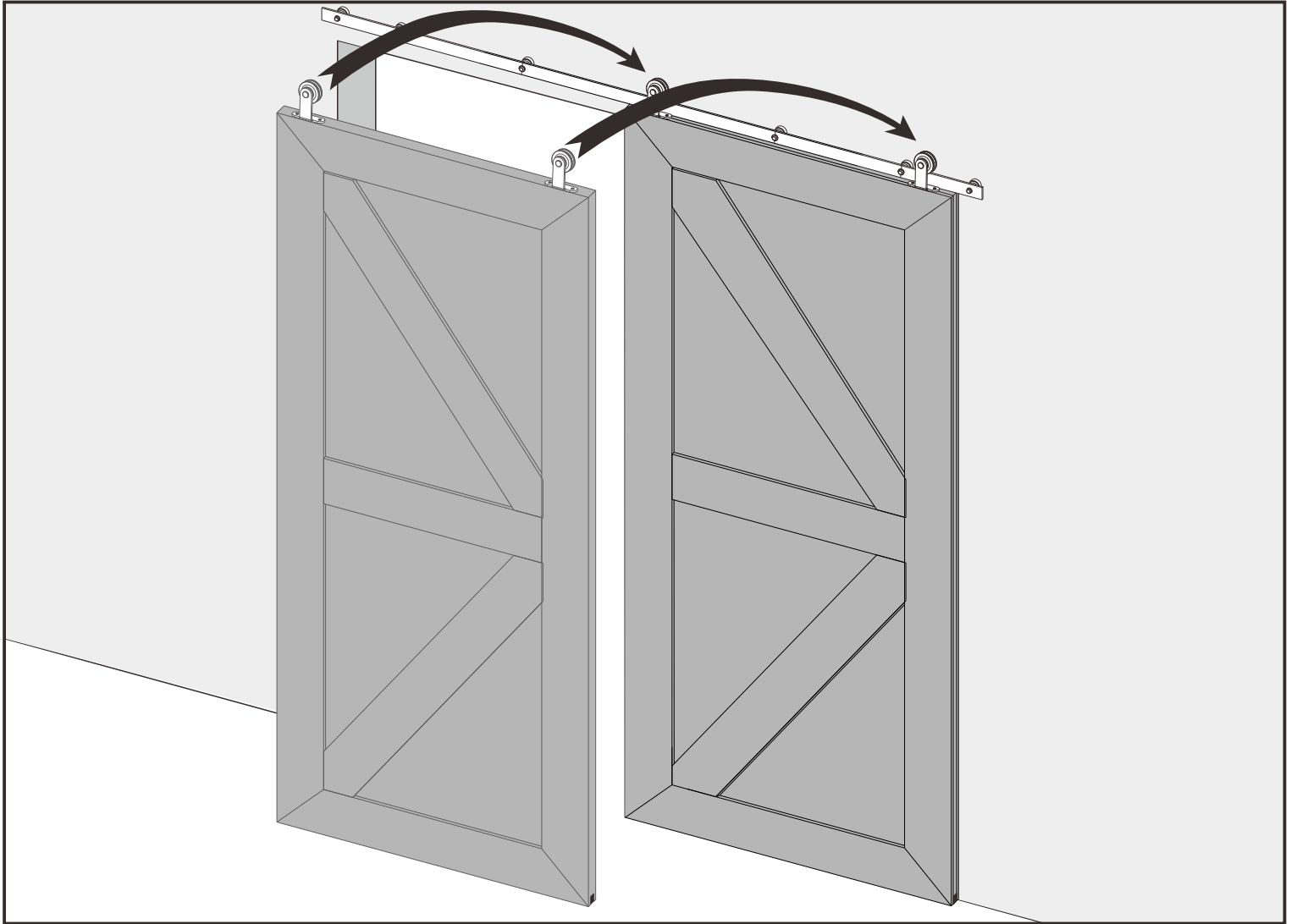
### ③ Install hook plate screws



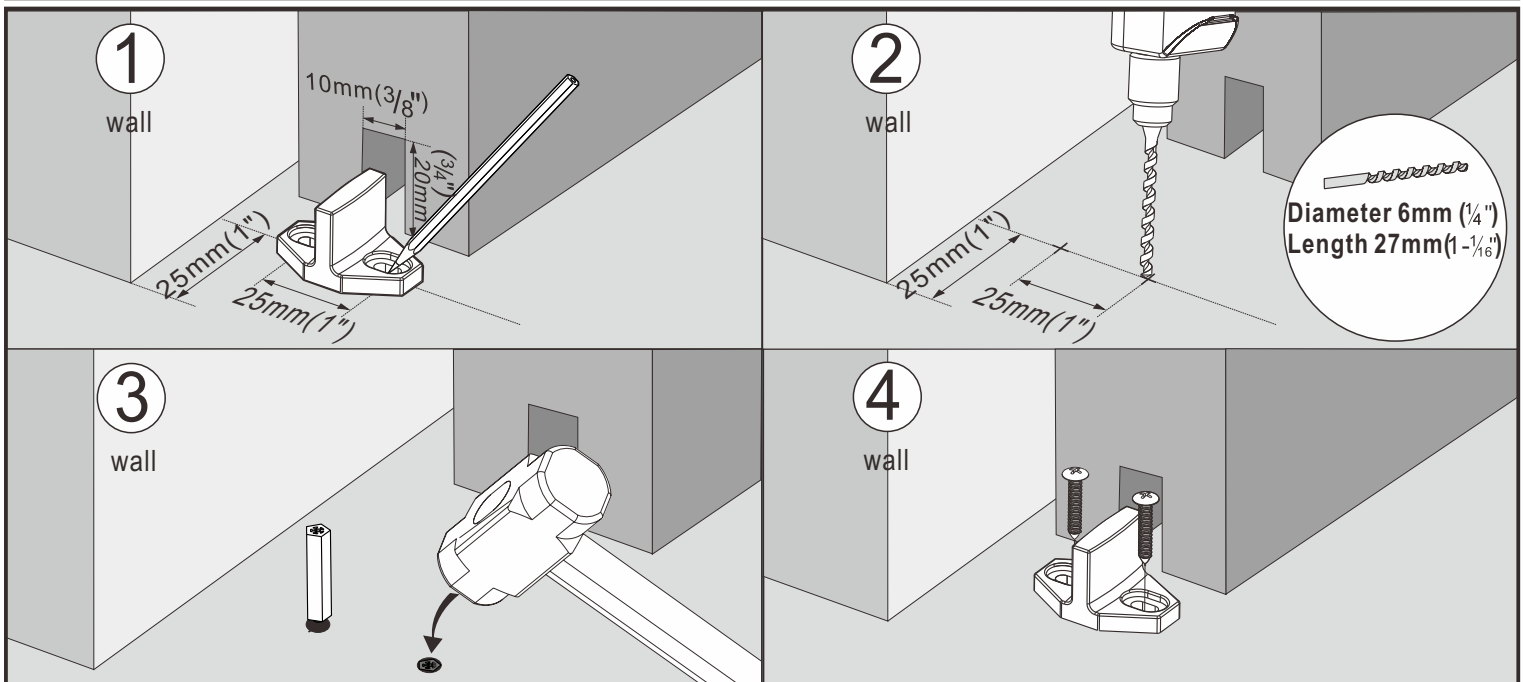
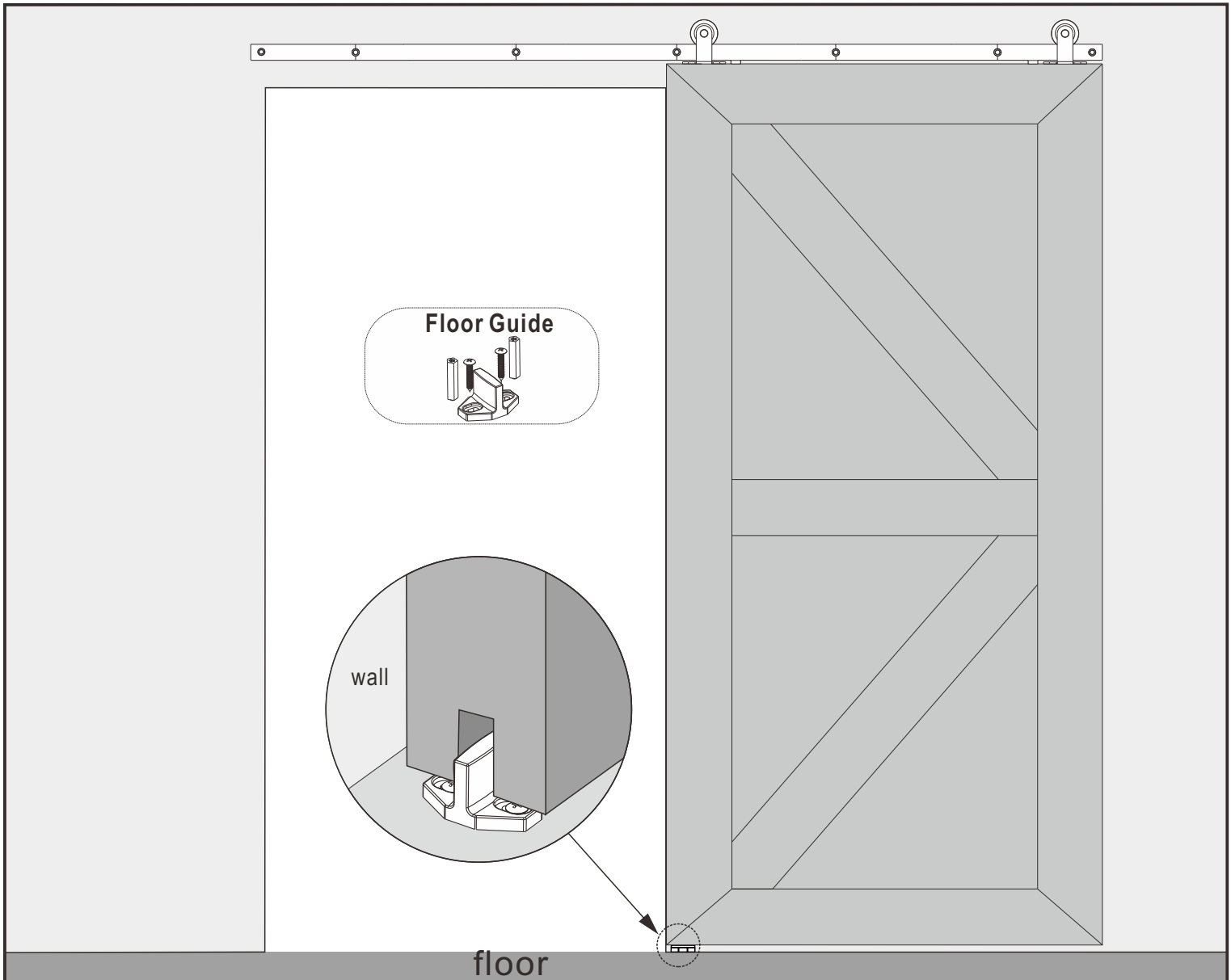
### ④ Tighten with an Allen wrench



# Step 4: Install Hangers and Anti-slip Block



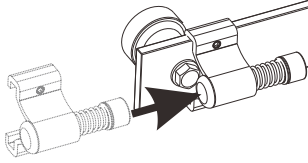
# Step 5: Installation of the floor guide



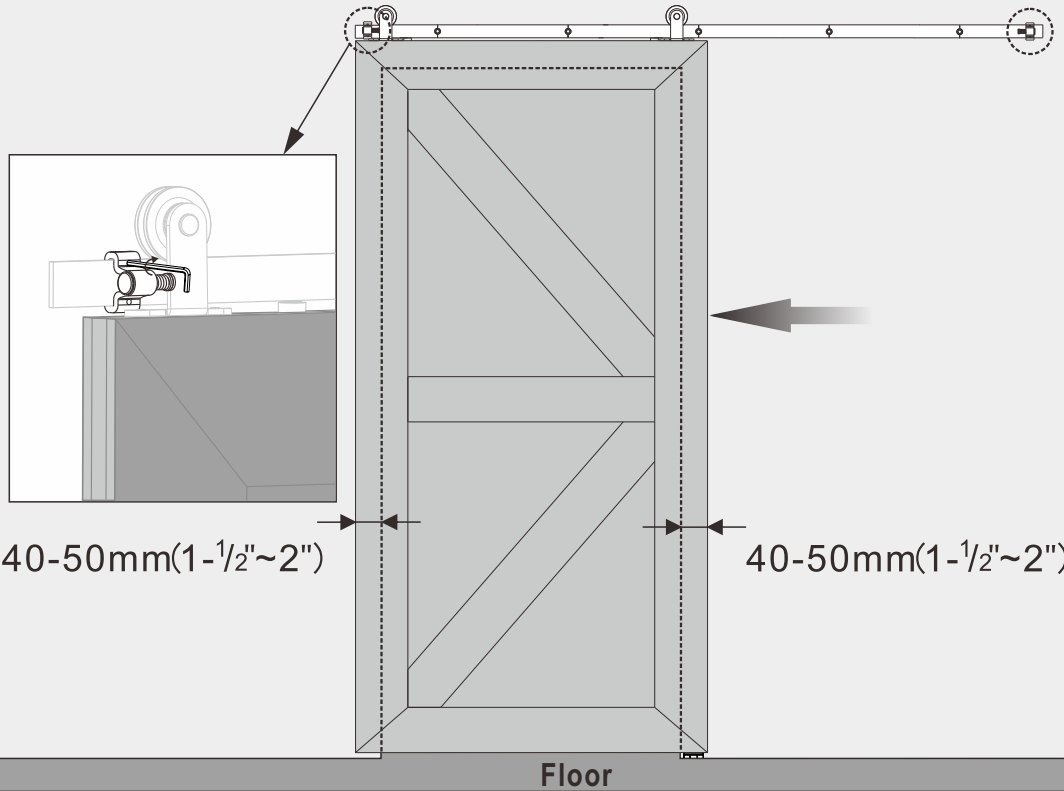
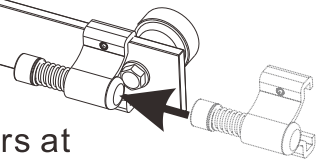
**Note:** If your floor is made of wood and the depth is greater than 40mm (1-9/16"), please use a 3mm (1/8") drill bit to pre-drill a guide hole, and there is no need to install the expansion plug.

# Step 6: Install Door Stoppers

Insert door stoppers at both ends of the track



Insert door stoppers at both ends of the track



**Adjust to the appropriate position and fixed with an allen key**

