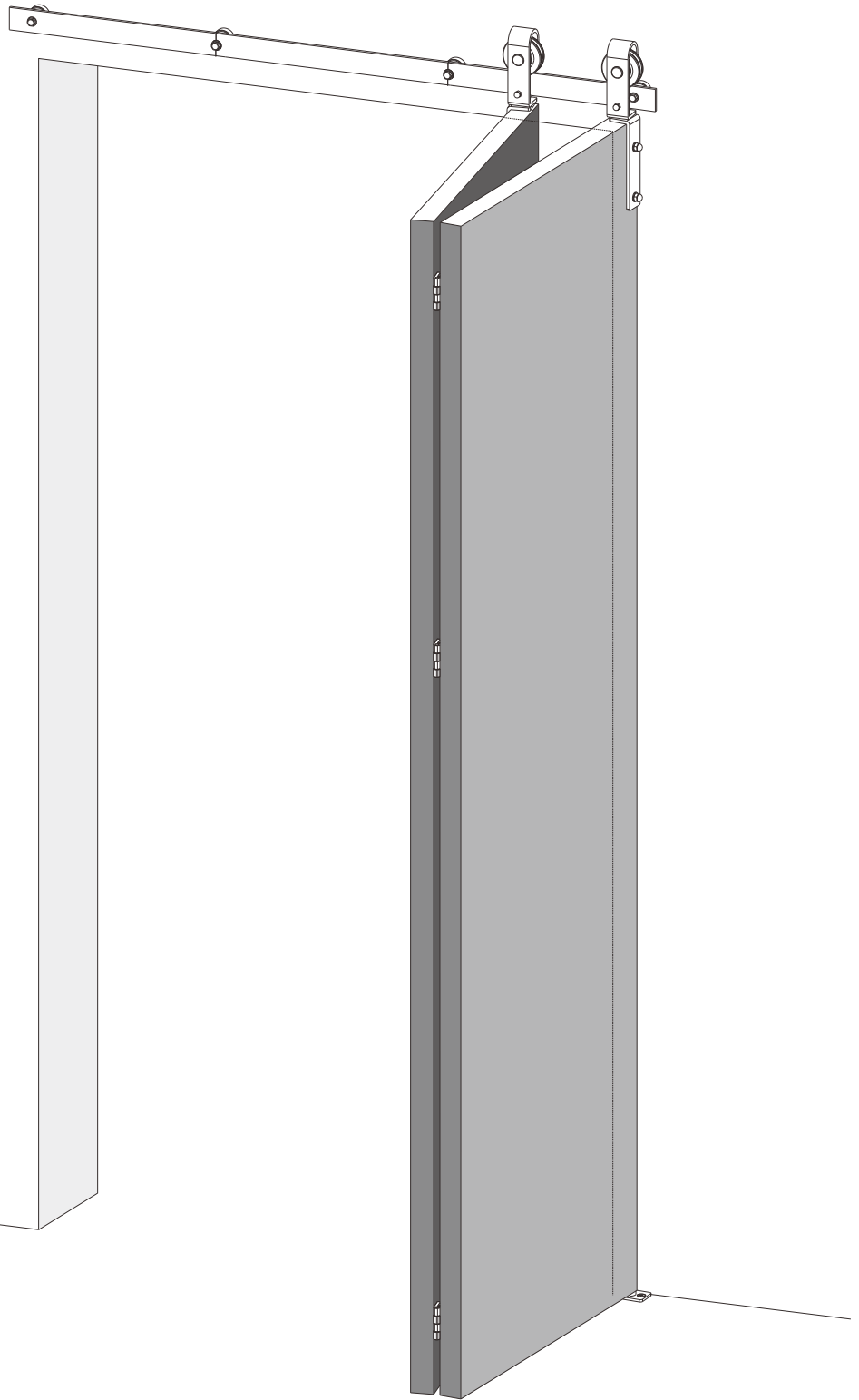
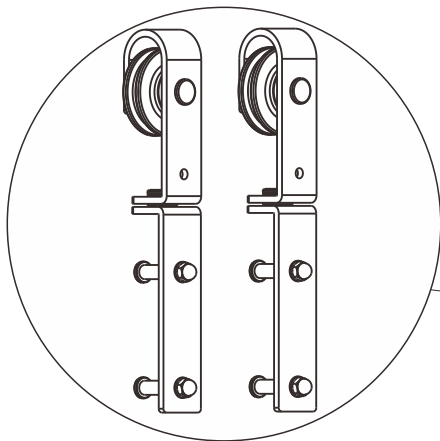
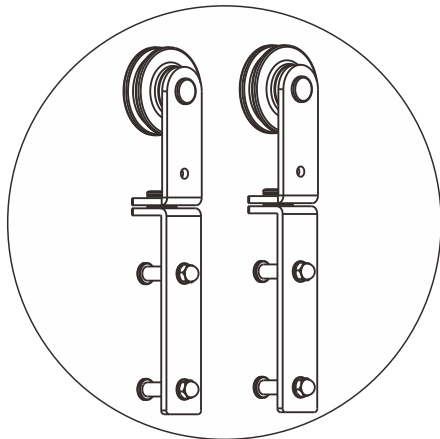


# Installation Guide



Refer to the installation video

4ft



EC	REP
----	-----

Company: E-CrossStu GmbH  
 Address: Mainzer Landstr.69, 60329 Frankfurt am Main  
 Mail: E-CrossStu@web.de

UK	REP
----	-----

Company:YH Consulting Limited  
 Address:C/O YH Consulting Limited Office 147,Centurion House ,  
 London Road , Staines-upon-Thames , Surrey , TW18 4AX  
 Mail: H2YHUK@gmail.com



## F04SFS-K F04SLS-K

# WARNING and CAUTION !!!

## EN English

Please follow all safety operating procedures during installation. Pay attention to keep this product away from children.

## DE Deutsch

Bitte beachten Sie während der Installation alle Sicherheitsvorschriften. Achten Sie darauf, dieses Produkt von Kindern fernzuhalten.

## FR Français

Pendant l'installation, suivez toutes les procédures d'exploitation de sécurité. Prenez soin de garder ce produit loin des enfants.

## IT Italiano

Si prega di seguire tutte le procedure operative di sicurezza durante l'installazione. Prestare attenzione a tenere questo prodotto lontano dai bambini.

## ES Español

Durante la instalación, siga todos los procedimientos de operación de Seguridad. Preste atención a mantener este producto alejado de los niños.

## NL Nederlands

Volg alle veiligheidsprocedures tijdens de installatie. Let op om dit product uit de buurt van kinderen te houden.

## PL Polski

Podczas instalacji należy przestrzegać wszystkich procedur bezpieczeństwa. Zwróć uwagę, aby trzymać ten produkt z dala od dzieci.

## CZ Čeština

Během instalace dodržujte všechny bezpečnostní provozní postupy. Věnujte pozornost tomu, aby tento výrobek udržel dál od dětí.





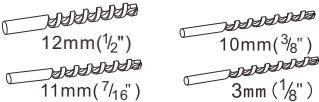
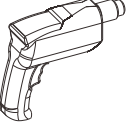
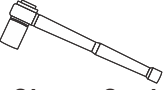
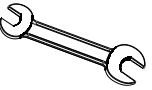
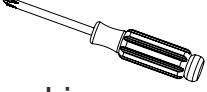
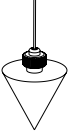
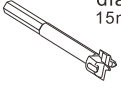
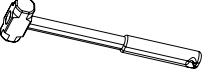
## SE Svenska

Följ alla säkerhetsrutiner under installationen. Var uppmärksam på att hålla denna produkt borta från barn.

## TR Türkçe

Lütfen kurulu sırasında tüm güvenlik işleme prosedürlerini takip edin. Bu ürünü çocuklardan uzak tutmak için dikkat et.





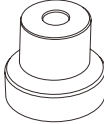
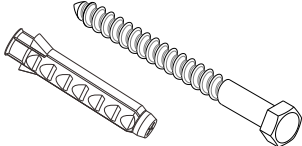
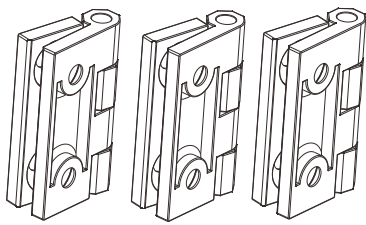

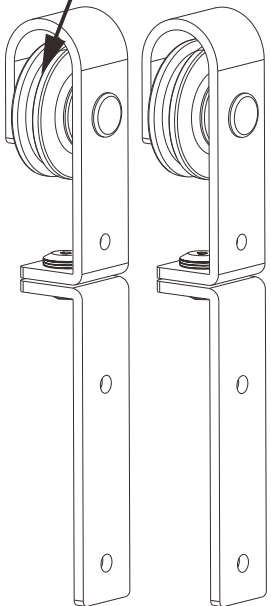
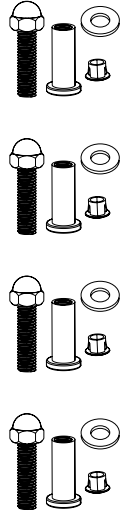
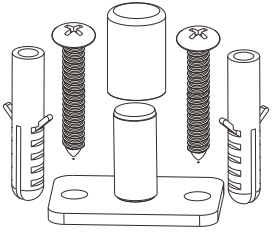
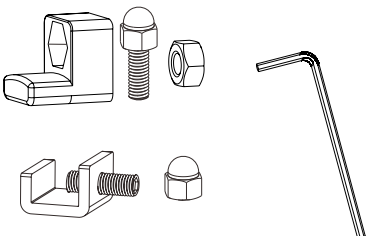
# Installation Tools (Please prepare in advance on your own)

 <b>Tape Measure</b>	 <b>Levelling Instrument</b>	 <b>Stud Finder</b>	 <b>Marking Tools</b>
 <b>Drill Bits</b>	 <b>Electric Drill</b>	 <b>Long Sleeve Socket Wrench</b>	 <b>Wrench</b>
 <b>Phillips Screwdriver</b>	 <b>Plumb Bob</b>	 <b>Hole Saw</b>	 <b>Hammer</b>

website: <https://barndoorservice.com>

After receiving the goods, please check if all parts are complete. If there are any missing or damaged parts, please do not return them. Log in to the website to contact customer service, and we can replace them for free.

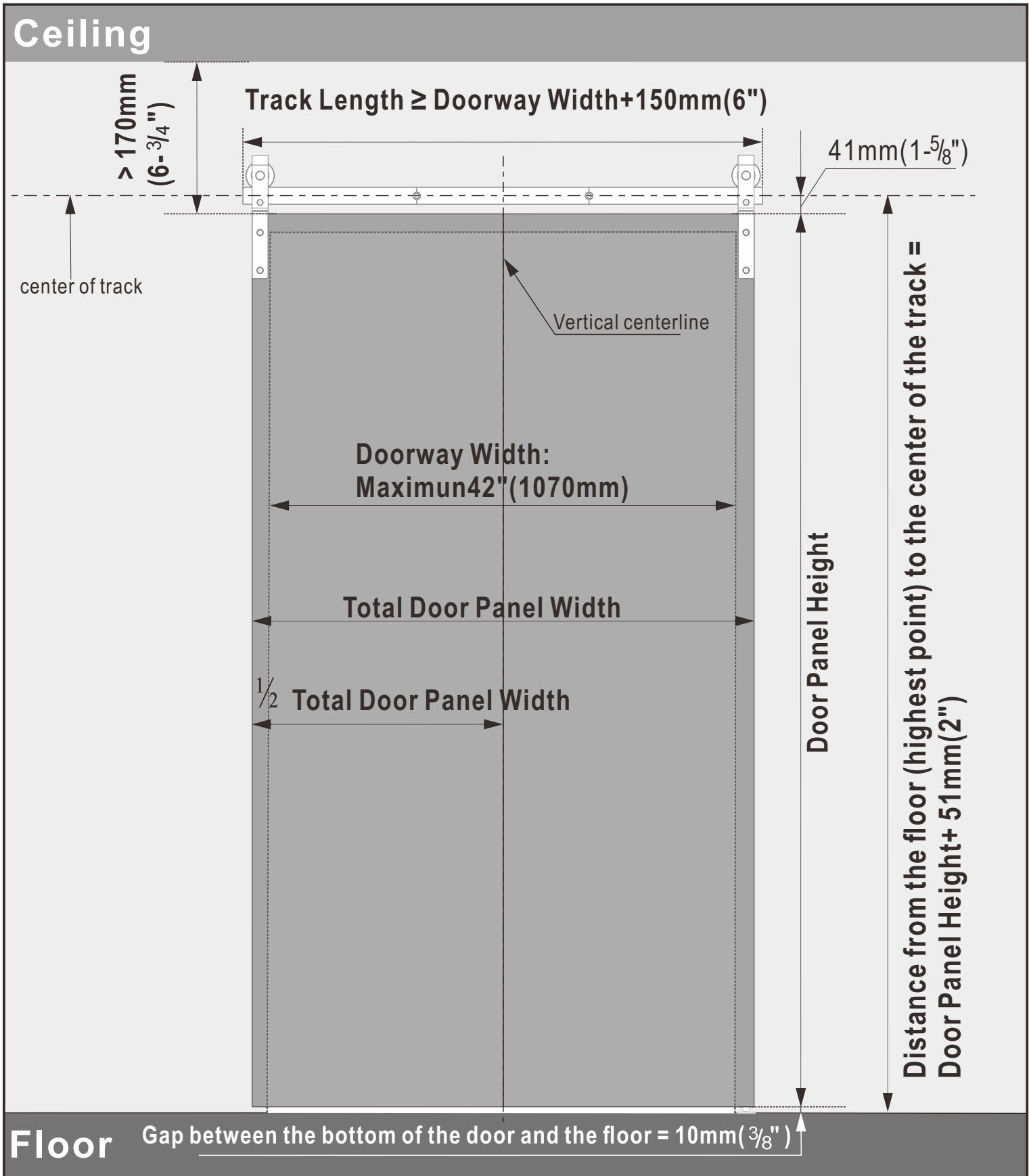
## Packing List

Tracks and track accessories		
 × 1  × 2  × 2	   × 4	
Hinges	Hanger and hanger accessories	Floor pivot and sleeve
 	<p>Check if the pulley is smooth</p>  	 <b>Fixed parts and sliding parts</b> 

# Note: Measurement Dimensions

Choose the appropriate door panel and track according to your own Doorway width size

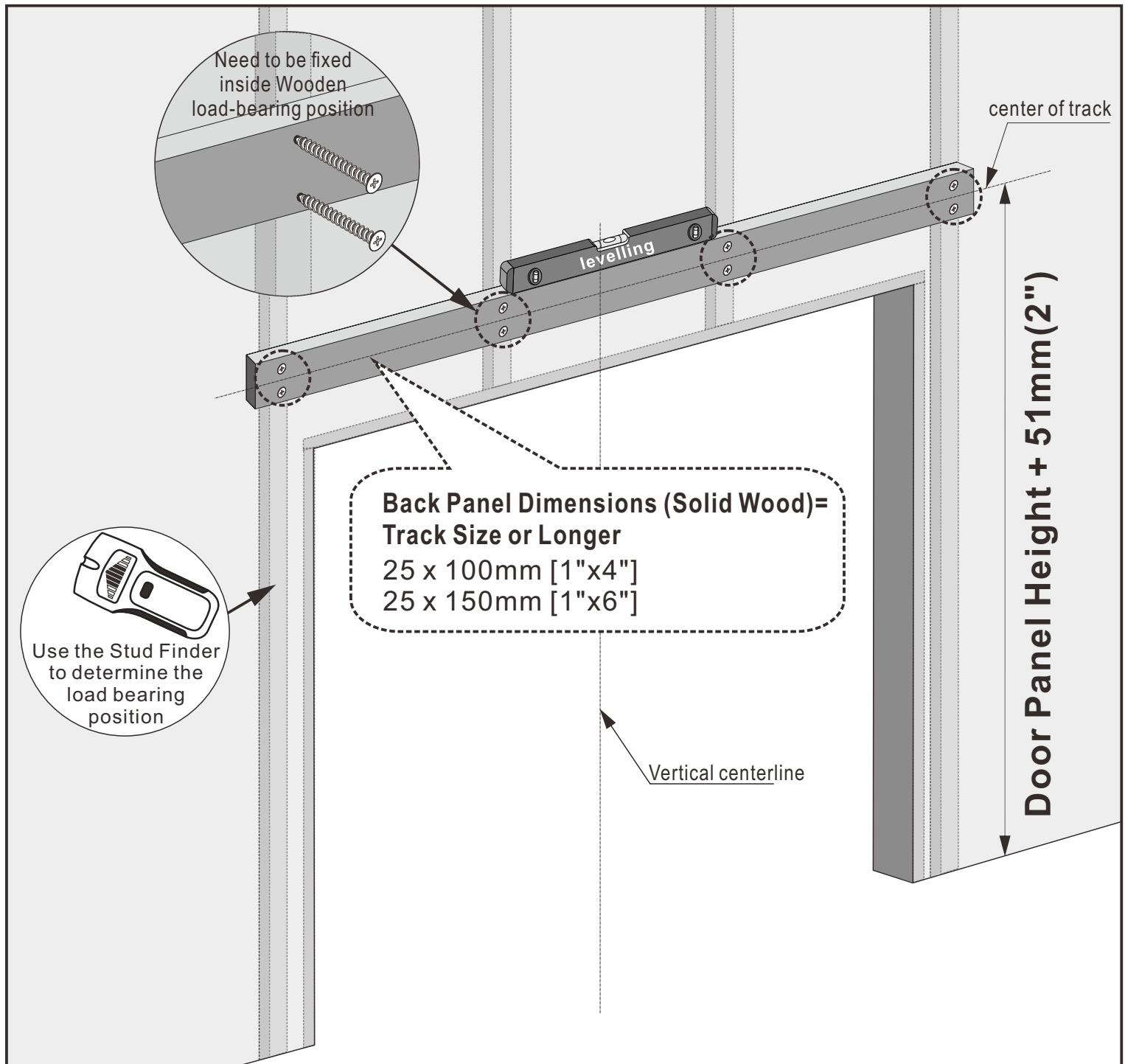
Doorway width	Total Door Panel Width	Track Length	Door panel Height	Door Panel Thickness:	Door Panel Weight:
Maximum 42" (1070mm)	Doorway Width + 80~100mm (3-4")	Doorway Width + 150mm (6")	The height of the door frame + 25~50mm (1-2")	30~45mm (1-3/16" - 1-3/4")	Max. 150kg



# Important Note!

## Situations where a back panel must be installed:

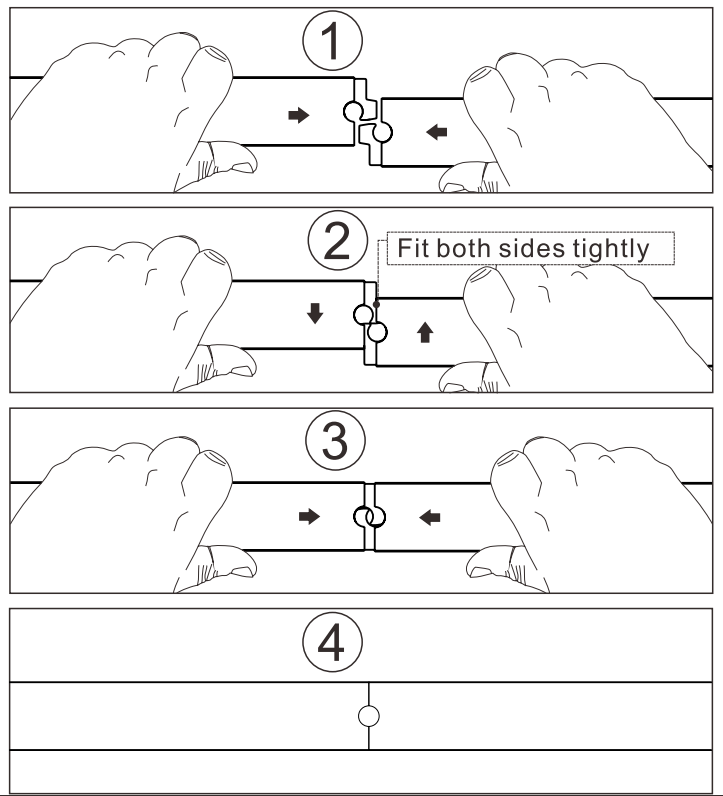
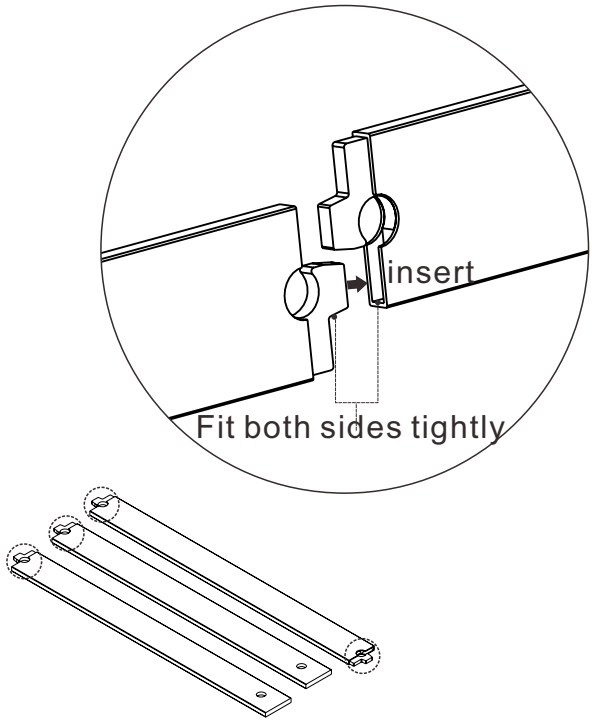
- 1 Doorway with decoration (e.g., with door frame or baseboard)
  - 2 Door thickness greater than 45cm (1- $\frac{3}{4}$ " )
  - 3 Wall made of drywall with a wooden load-bearing structure inside, not a concrete wall
- Back Panel Dimensions (Solid Wood)=Track Size or Longer



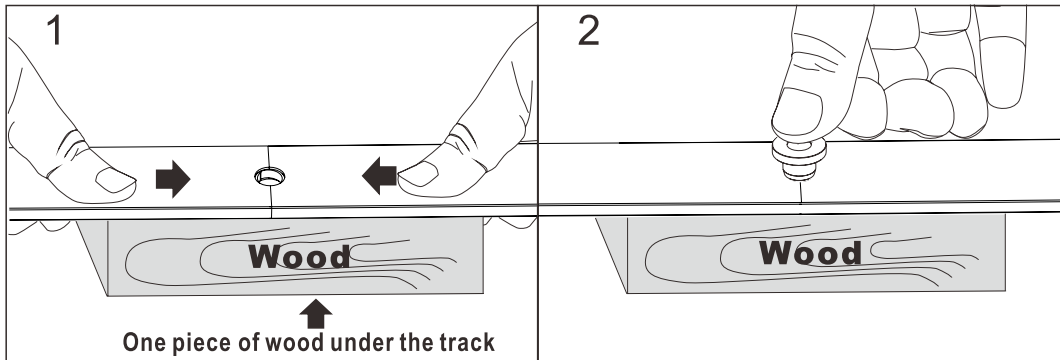
**Note:** Please prepare the back panel and the components for installing the back panel yourself.

# Step 1: Track Splicing

1 Splice the tracks as shown.

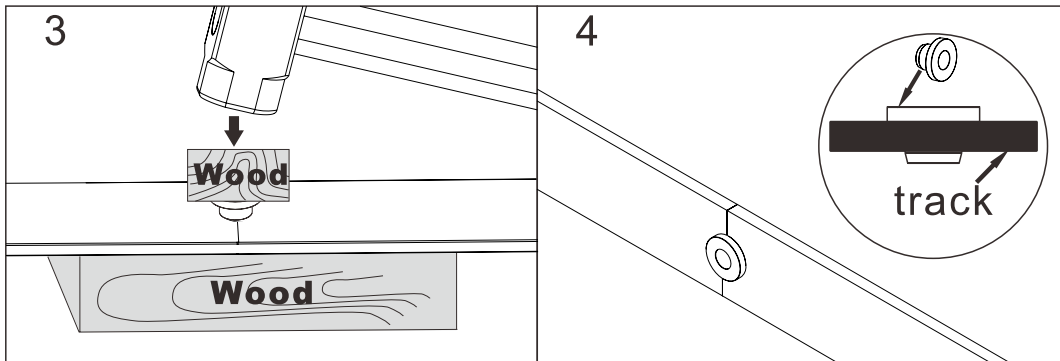


2 Strengthen the track



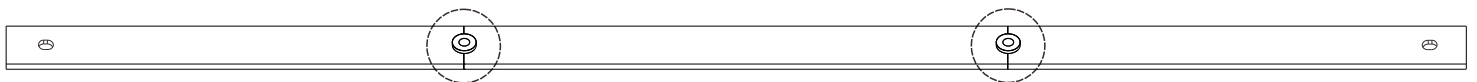
Flatten the tracks and squeeze the two tracks towards the middle

Put [pin icon] into the hole



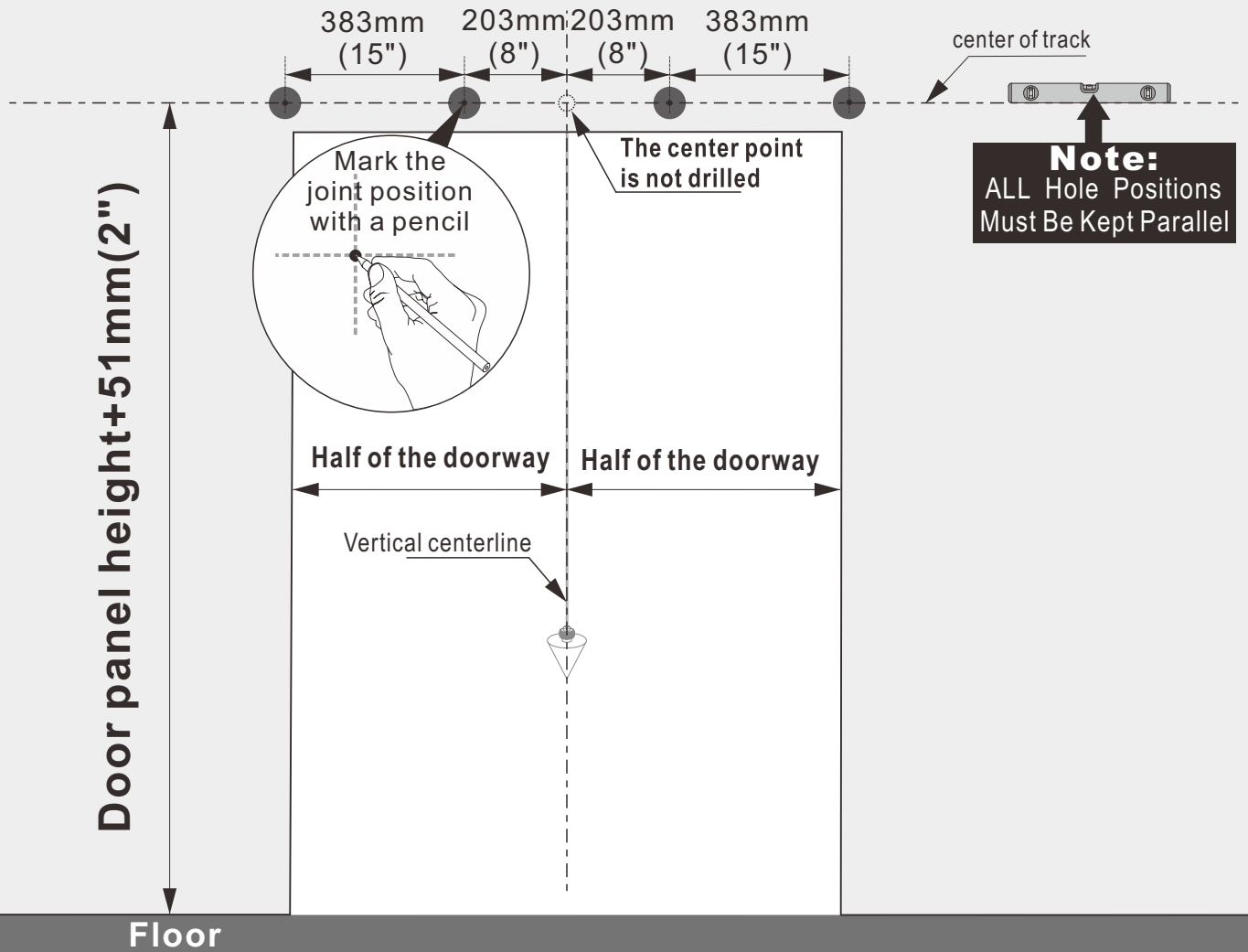
Place a piece of wood on top of use a hammer to secure it into the track

Then the track is connected firmly

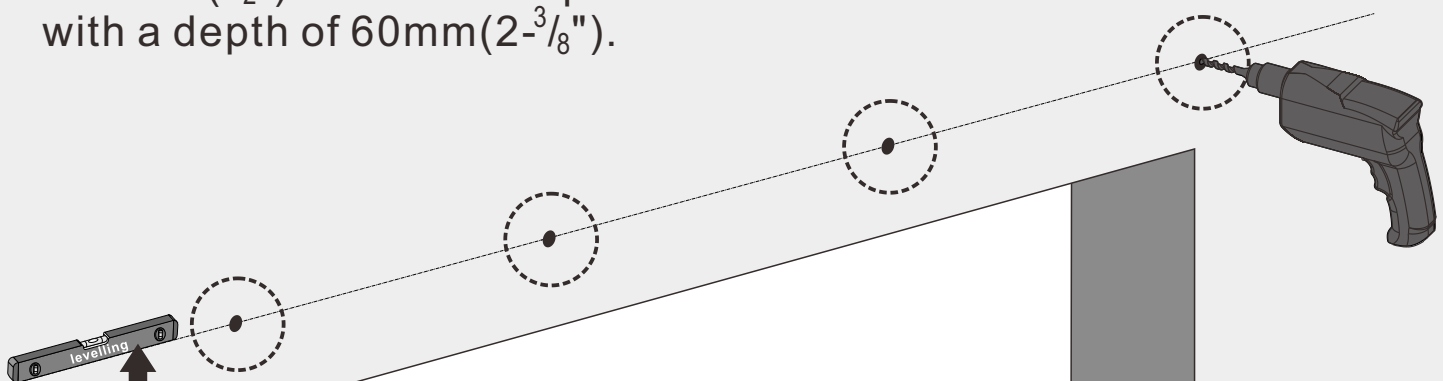


# Step 2: Install the Track

## 1 Measure from the center



2 When inspecting the wall, **If it is a wooden wall**, a 3mm ( $\frac{1}{8}$ " ) drill bit is needed to drill a hole with a depth of 60mm ( $2\frac{3}{8}$ " ) ; **If it is a brick wall**, a 12mm ( $\frac{1}{2}$ " ) drill bit is required to drill a hole with a depth of 60mm ( $2\frac{3}{8}$ " ).

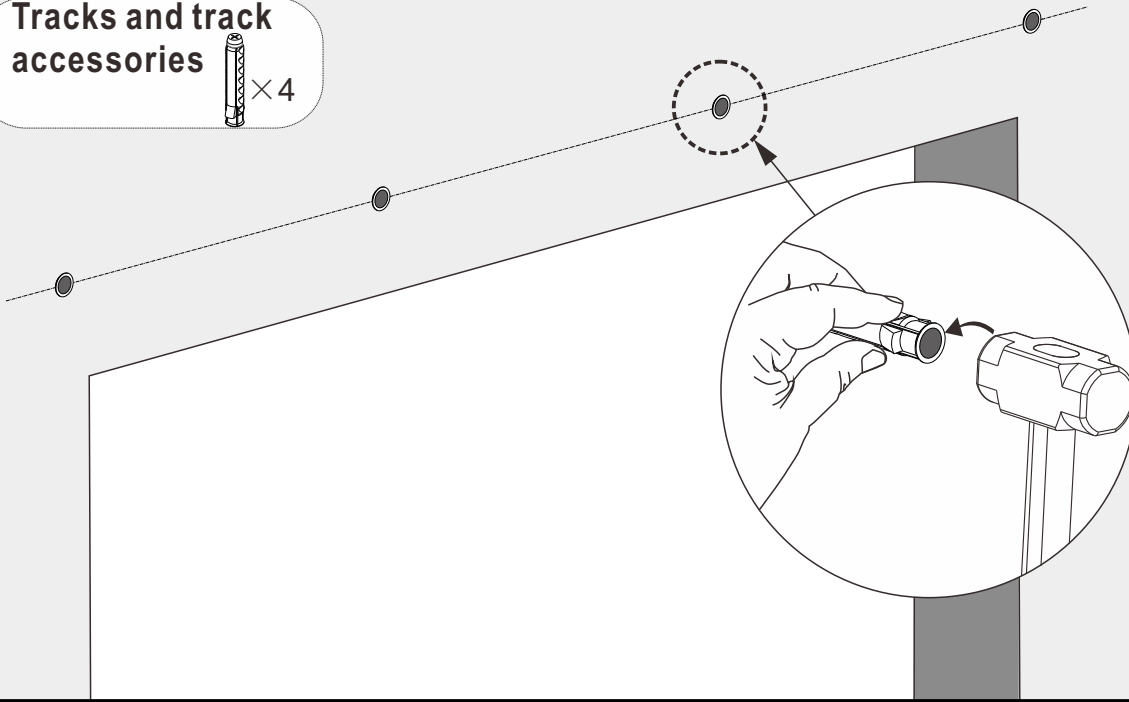


**Note:**  
ALL Hole Positions Must Be Kept Parallel

Wooden wall	Brick wall
<p><b>Drill holes</b> Diameter = 3mm (<math>\frac{1}{8}</math>" ) Depth = 60mm (<math>2\frac{3}{8}</math>" )</p>	<p><b>Drill holes</b> Diameter = 12mm (<math>\frac{1}{2}</math>" ) Depth = 60mm (<math>2\frac{3}{8}</math>" )</p>

**3** Use a hammer to firmly tap the **Expansion plug** into the holes.

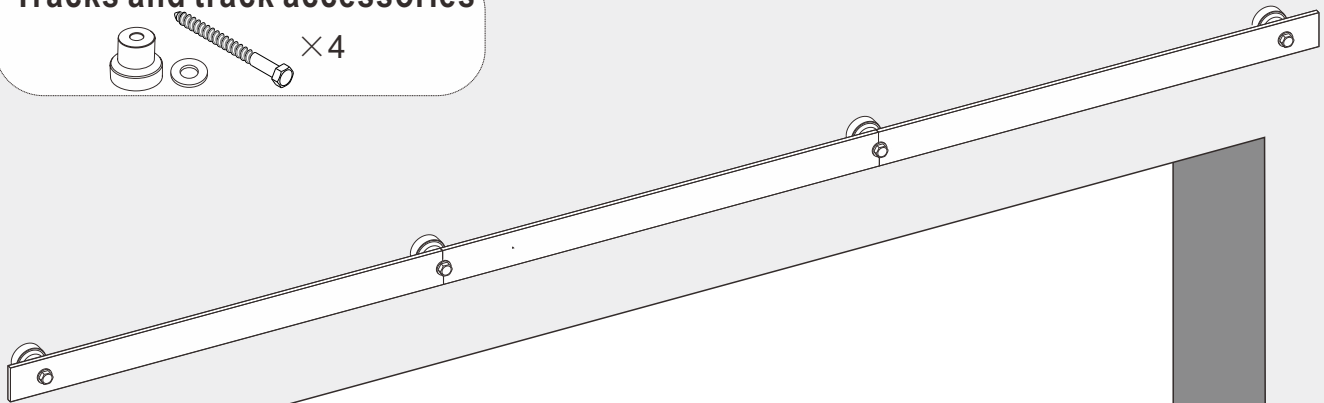
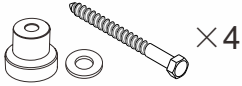
Tracks and track accessories



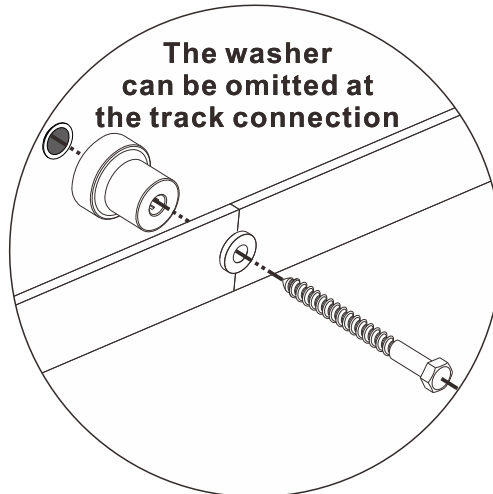
**Note:** If the wall is made of wood or if a wooden back panel has already been installed, please skip this step.

**4** Install the track as shown in the diagram.

Tracks and track accessories



The washer can be omitted at the track connection

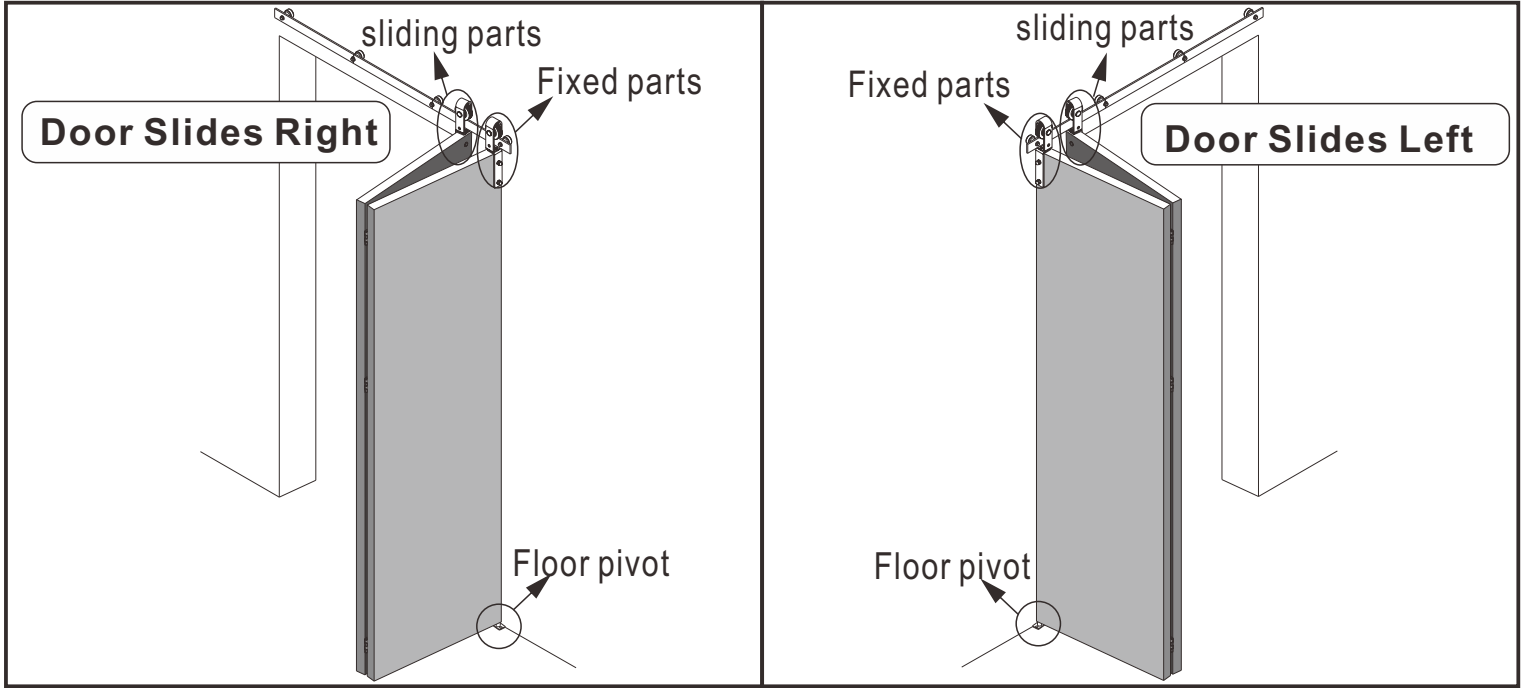


**Recommendation:**

Use Long Sleeve Socket Wrench

# Step 3: Determine Door Opening Direction and Install Hinges

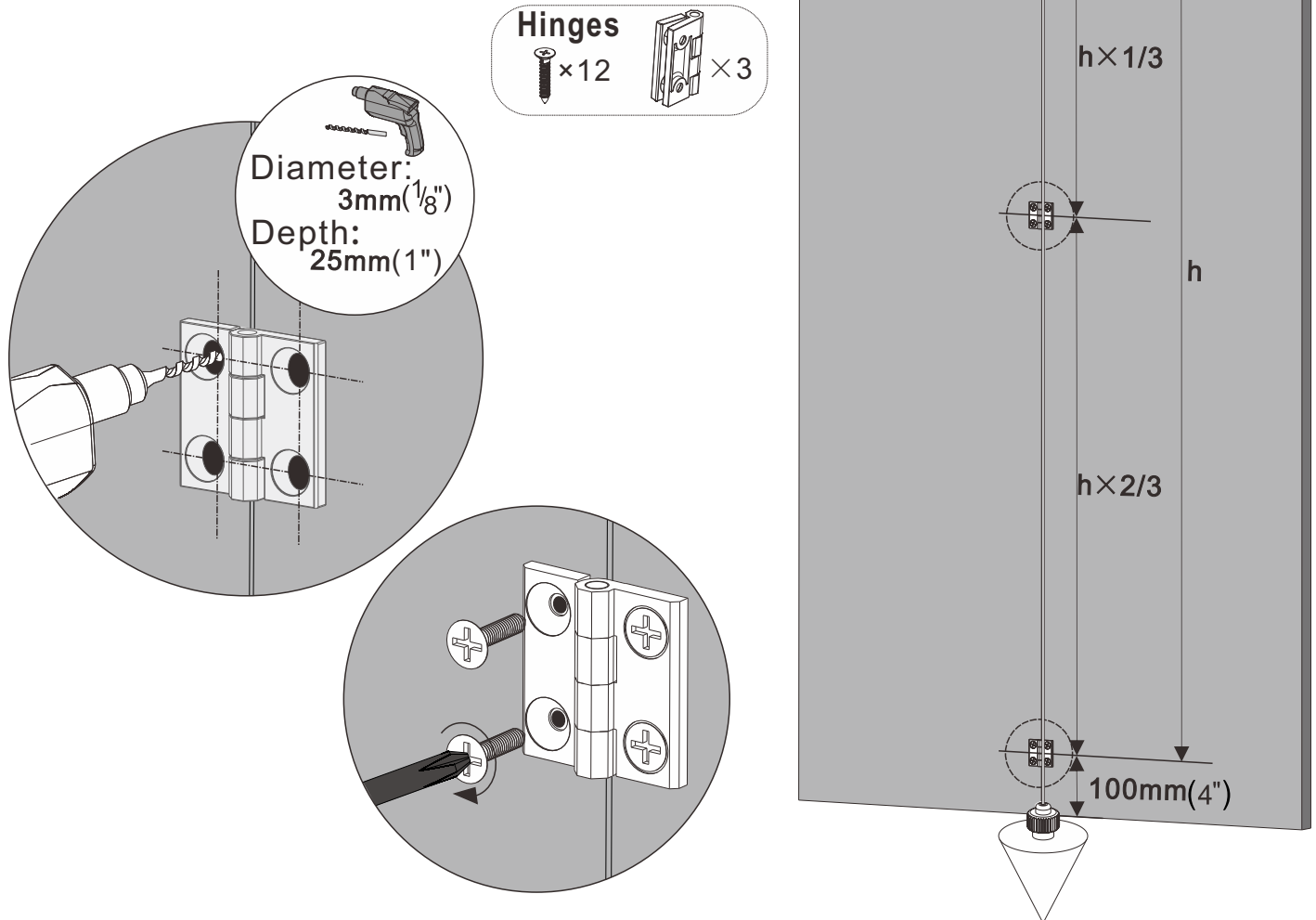
① Confirm the door opening direction:



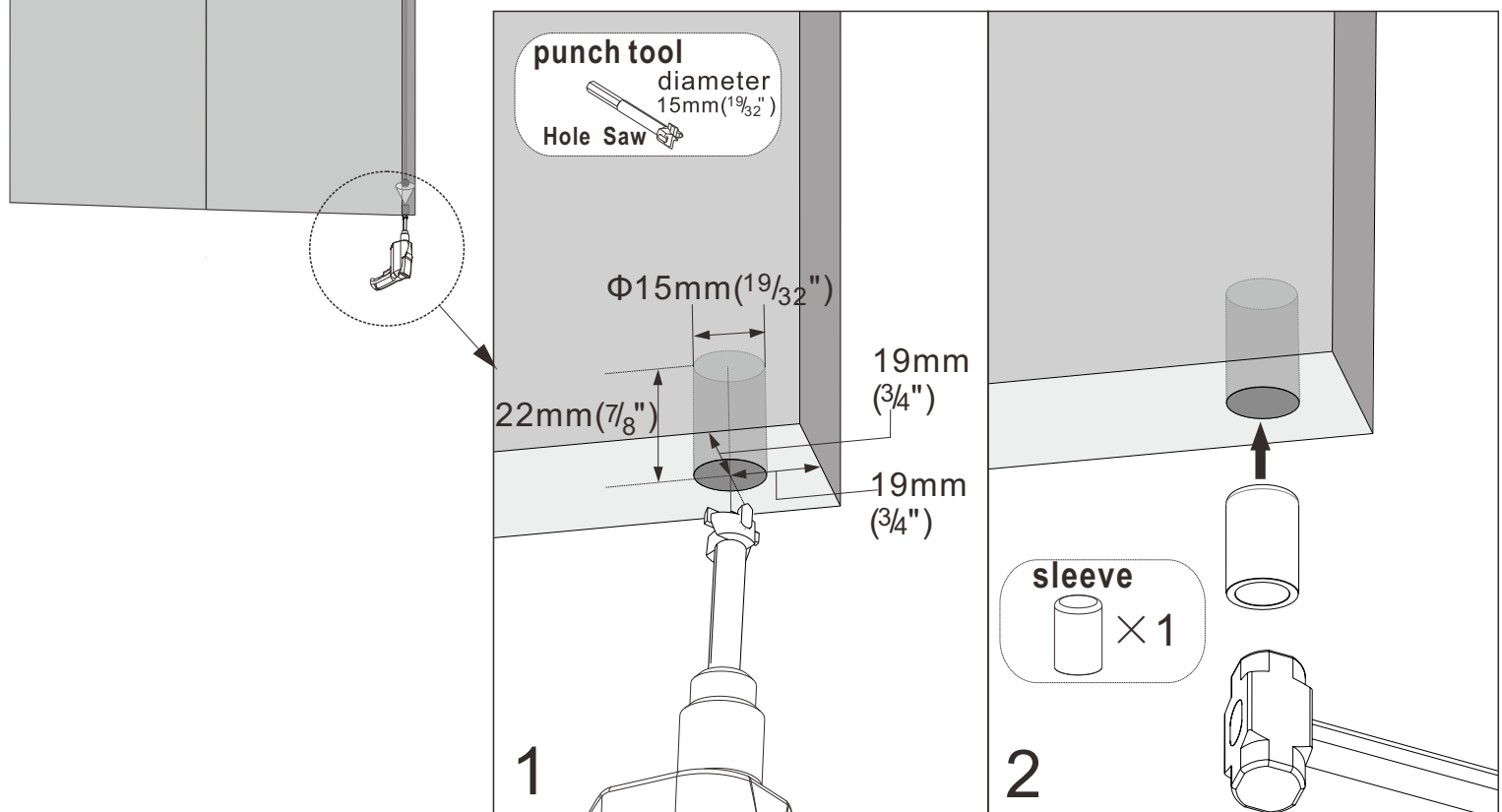
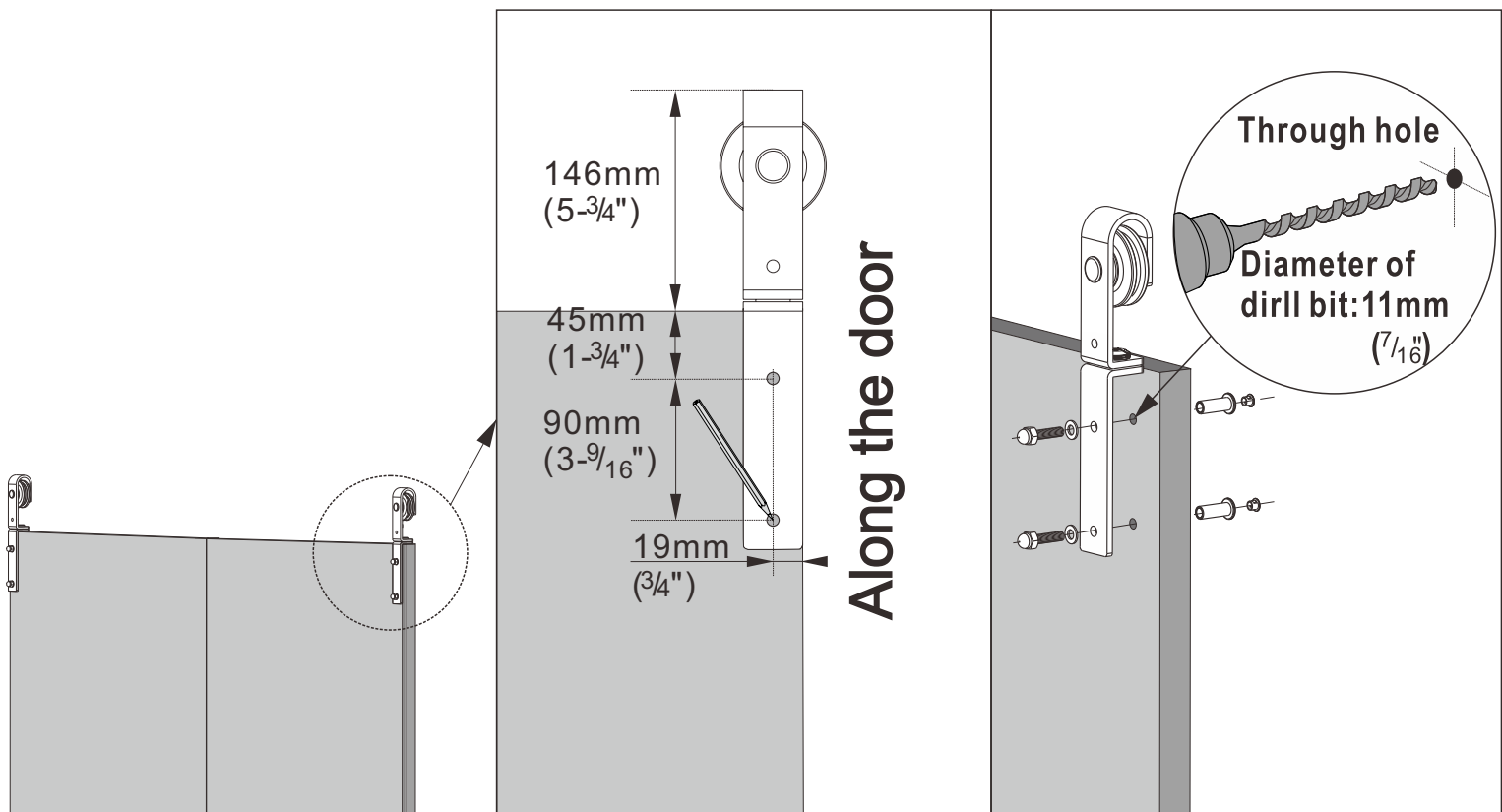
② Install the hinges.

## Note:

The hinges should be installed on the back of the door panel.



# Step 4: Install Hook Plate and Bottom Pivot - Sleeve

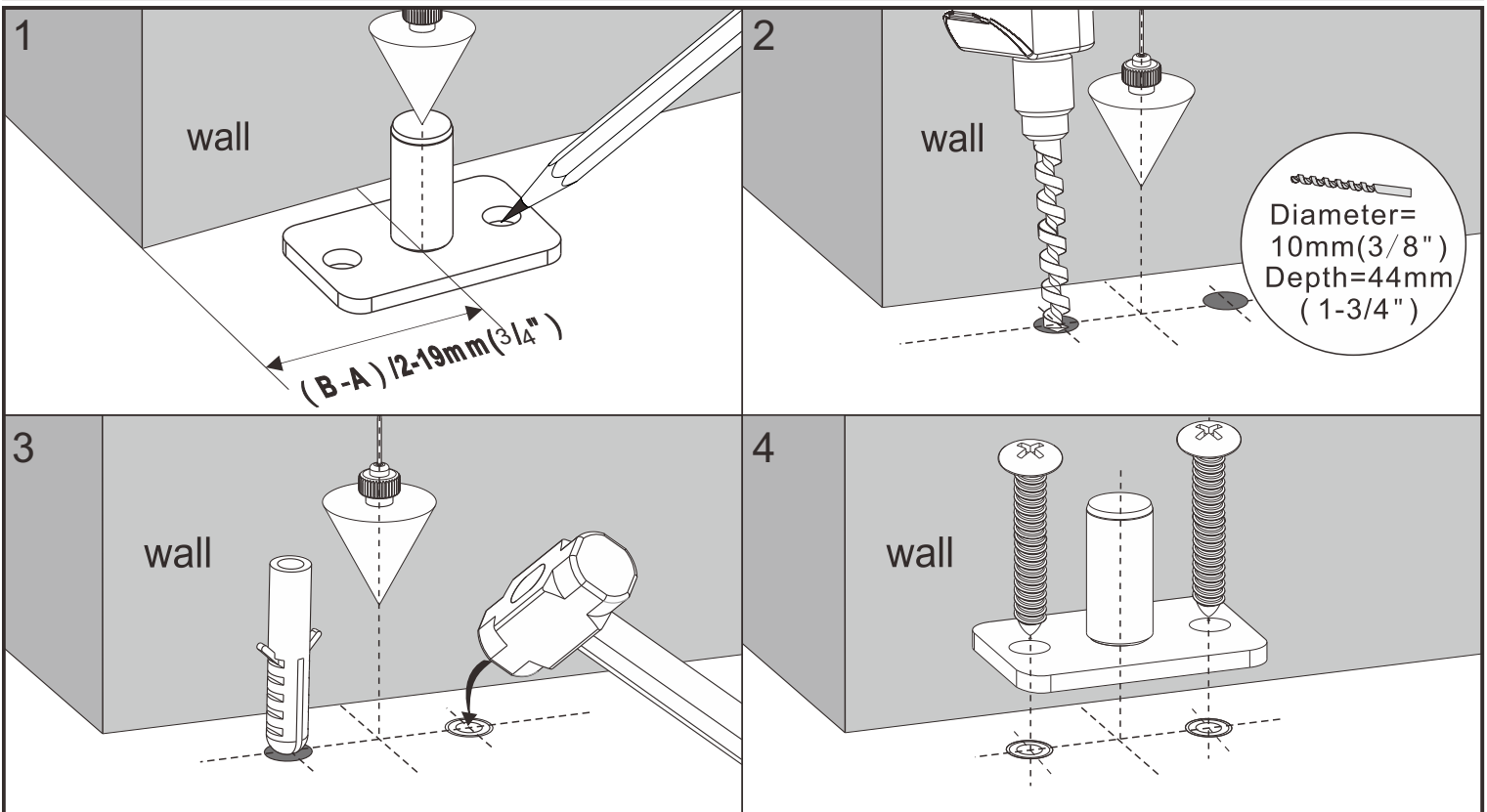
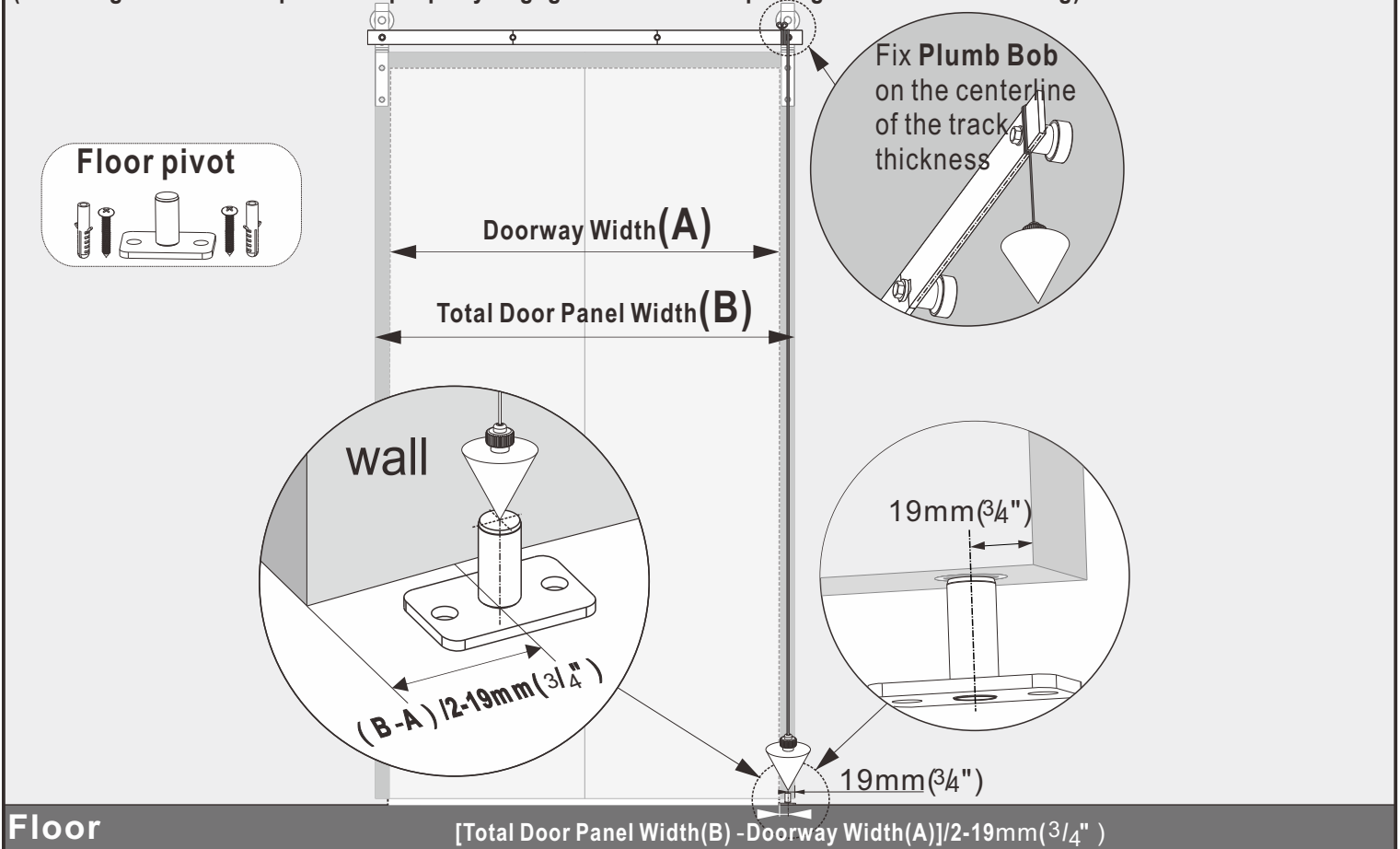


# Step 5: Install the Floor Pivot

## How to locate the position of the Floor Pivot:

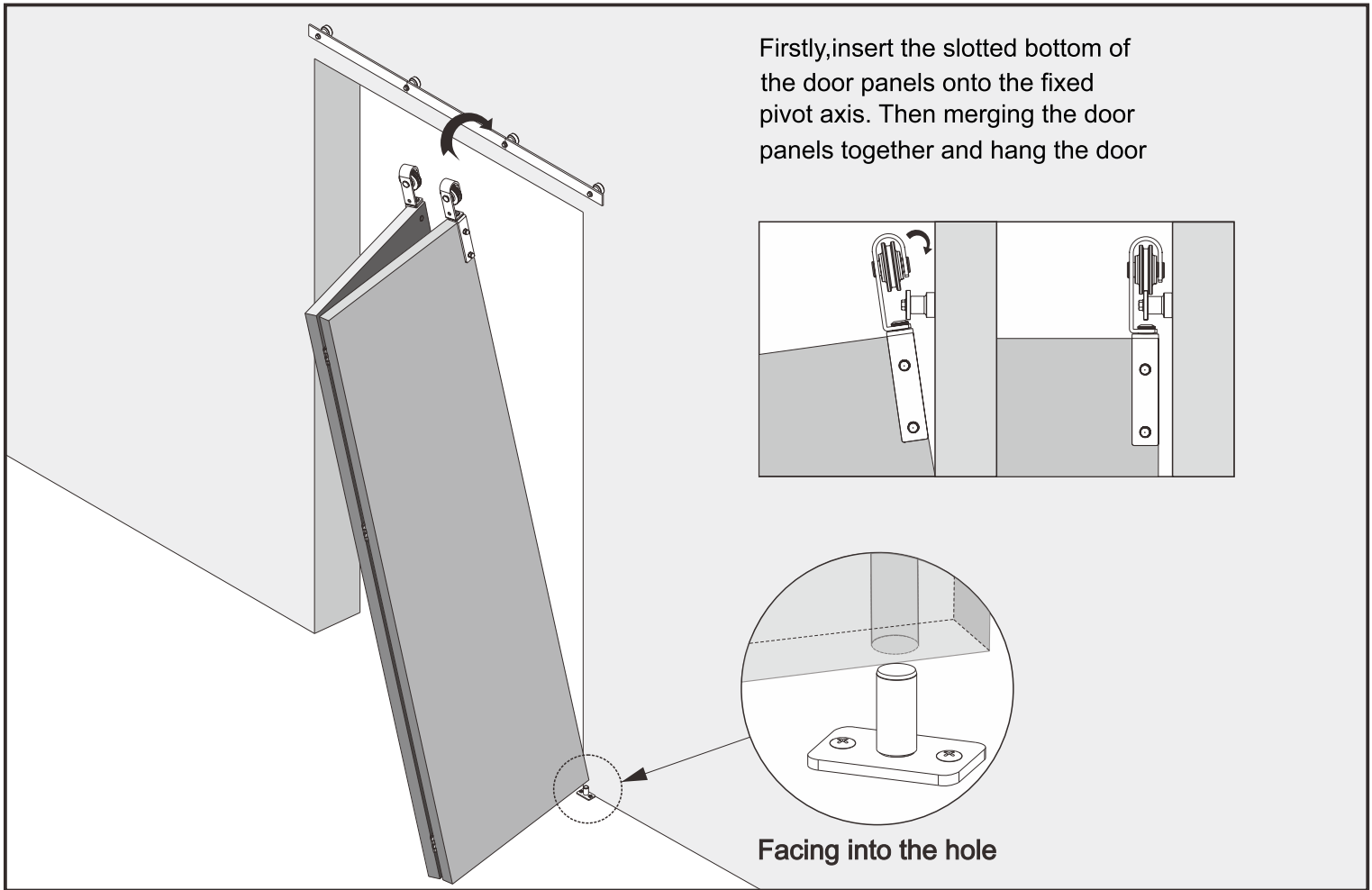
Attach the plumb bob to the track to determine the distance from the floor pivot center to the wall.

The floor pivot center must be positioned relative to the door frame based on a specific calculation:  $B - A \div 2 - 19\text{mm}(3/4\text{'})$  (ensuring that the floor pivot can properly engage into the door opening after the door is hung).



**Note:** If your floor is made of wood and the depth is greater than 40mm(1-9/16"), please use a 3mm(1/8") drill bit to pre-drill a guide hole, and there is no need to install the expansion plug.

# Step 6: Hang the door panels



# Step 7: Install Fixed parts and Sliding parts

