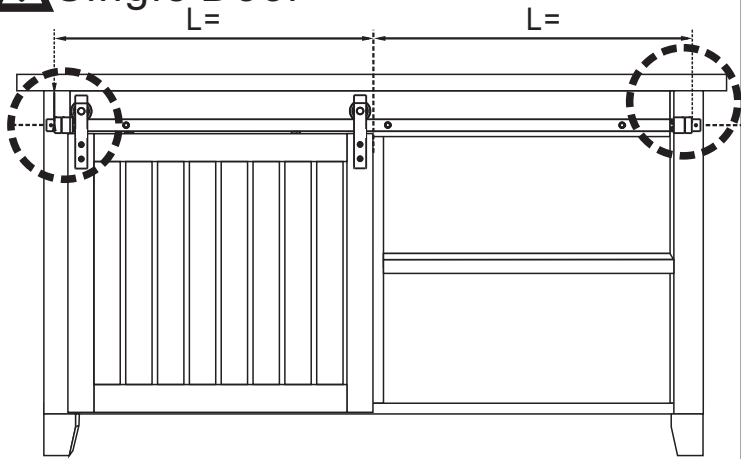
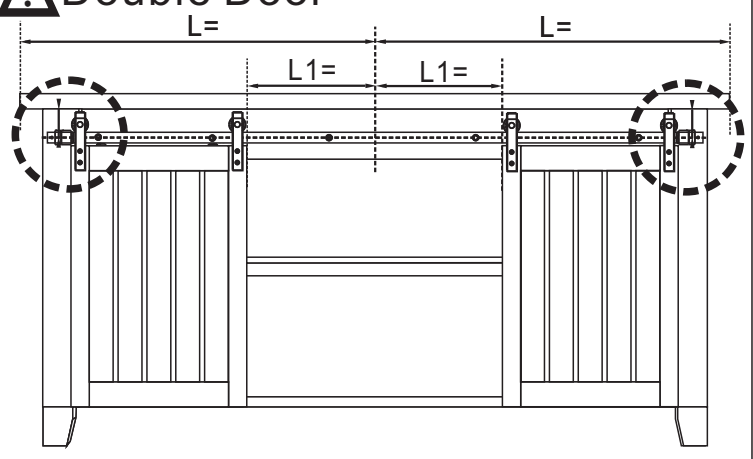


# INSTALLATION MANUAL

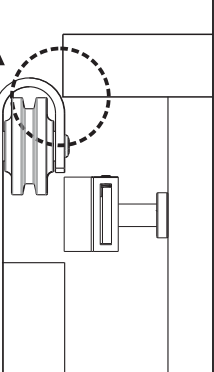
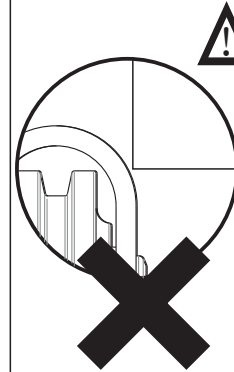
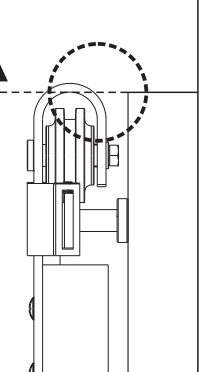
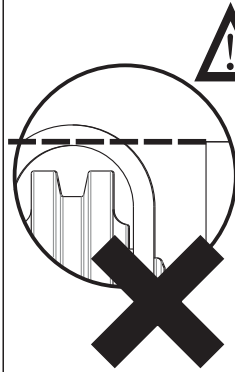
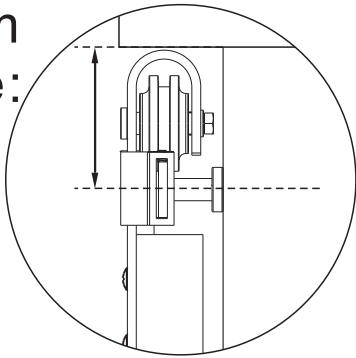
## ! Single Door



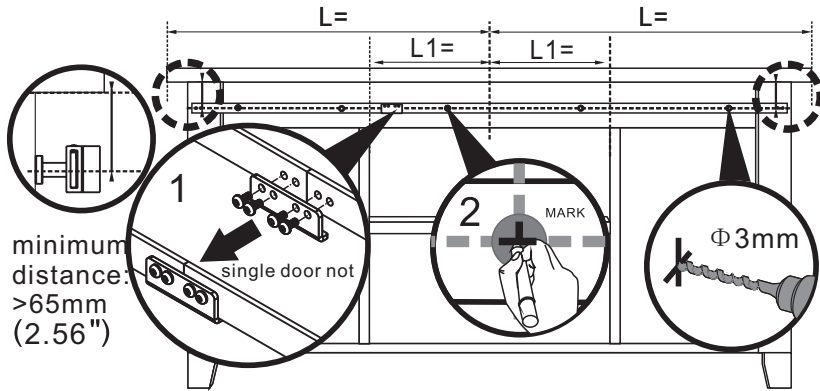
## ! Double Door



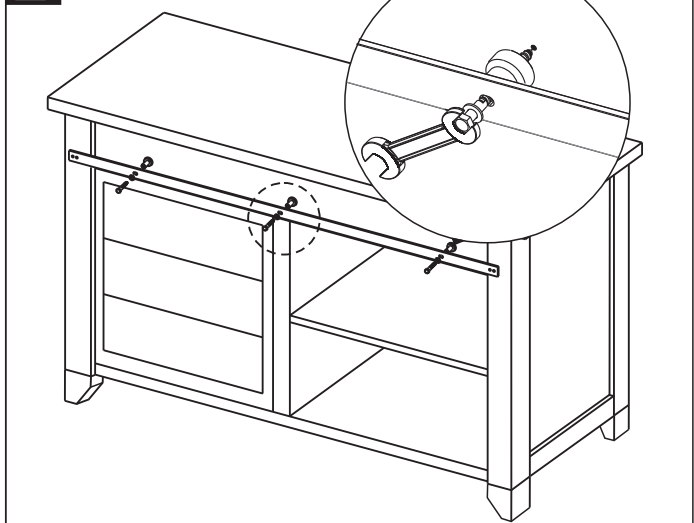
minimum distance:  
>65mm  
(2.56")



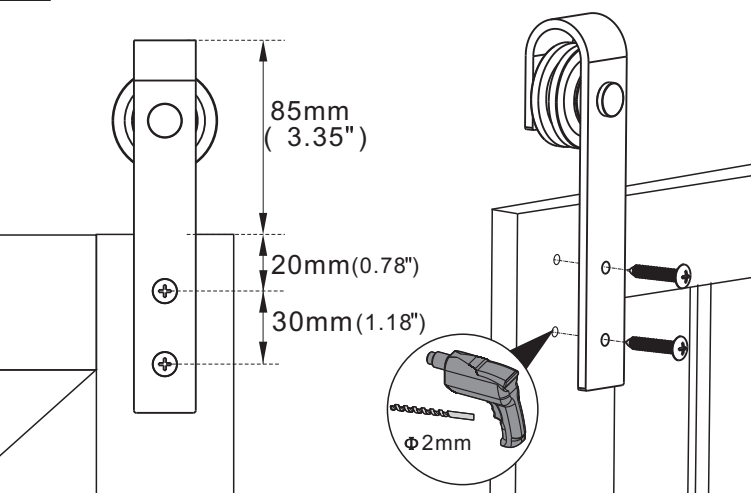
### 1 Install the track



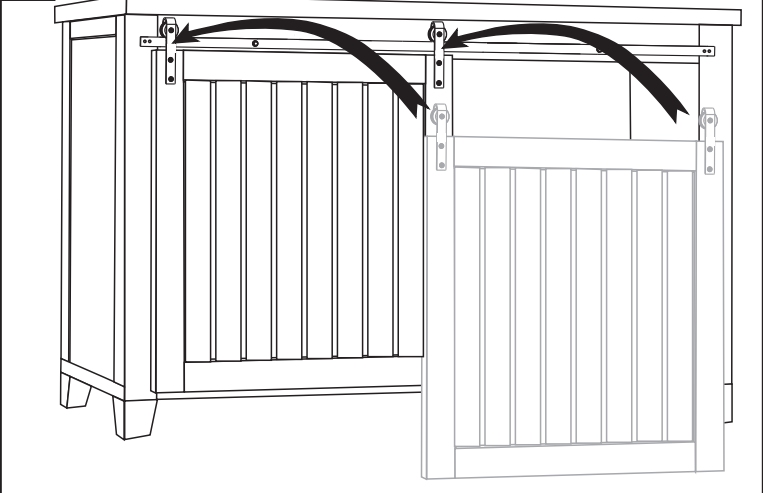
### 2 Install the track

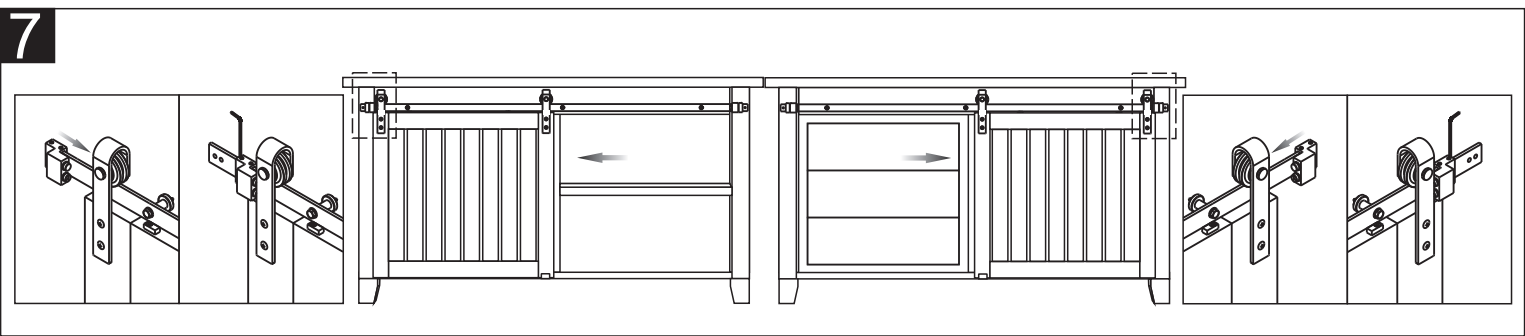
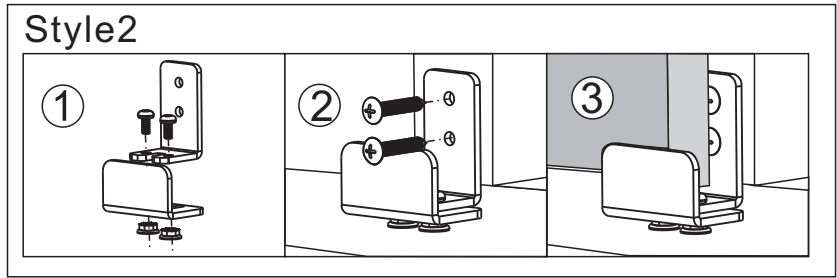
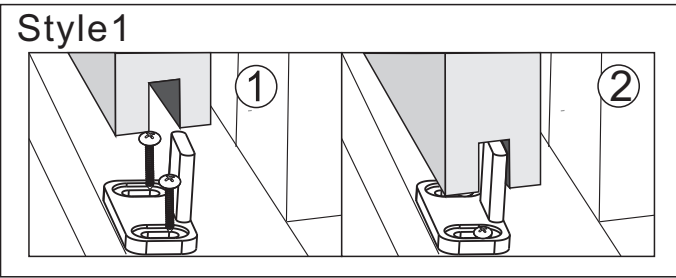
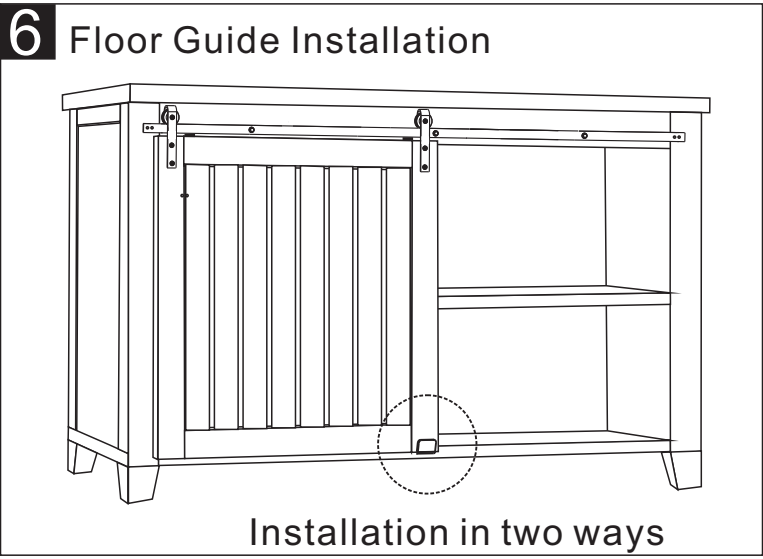
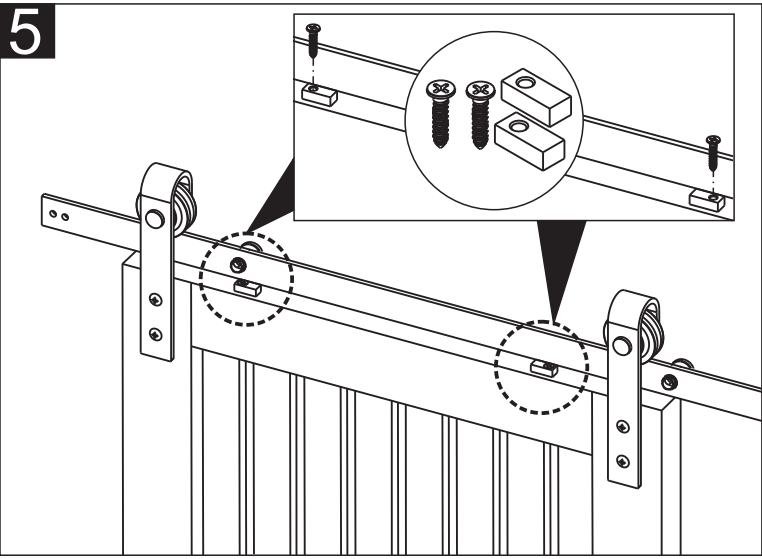


### 3 Hanger Installation



### 4





## WARNING

- ♥ Failure to wear proper safety gear (i.e., eye protection) may result in serious injury or death. Always wear proper safety gear before using power tools.
- ♥ Improper operation of power tools may be out of control, even cause serious injury or death. Always ensure you can completely control the power tool and the work area is free of hazards before operating a power tool.
- ♥ Lack of secure clamping of the door may result in unexpected movement of the door, and out of control, even serious injury or death. Always securely clamp the door in place before cutting, or drilling the door.
- ♥ If the Anti-jump Disk is not installed properly, it may result in the door coming off the track and cause serious injury or death. Installation of Anti-jump Disks is required for safe operation of this hardware. Installed properly, these disks will keep the door securely attached to the track.

## CAUTION

- ♥ Mishandling of heavy objects (i.e., doors) may cause unbalance and serious injury. Always be sure you have a secure hold on the object and is balanced before moving the object. Always wear safety shoes when lifting heavy objects.
- ♥ Getting body parts (i.e., hair, fingers) caught in moving parts may cause pinching and serious injury. Do not put fingers in part that may move. Please always remove everything on your body that may be entangled with a moving part.
- ♥ Putting your hand on the edge of the door to close it may result in your hand or fingers getting caught between the door and the other solid objects (i.e., another door, molding) causing serious injury. Always use the door handle to close door.

## Usage Statement:

- ♥ Using excessive force when open or close the door(s) may result in damage to the hardware. Always hold the handle and gently open and close the door(s).

## Warranty Statement:

- ♥ 5-year unconditional warranty service enables the durability coverage of every single hardware during its life time