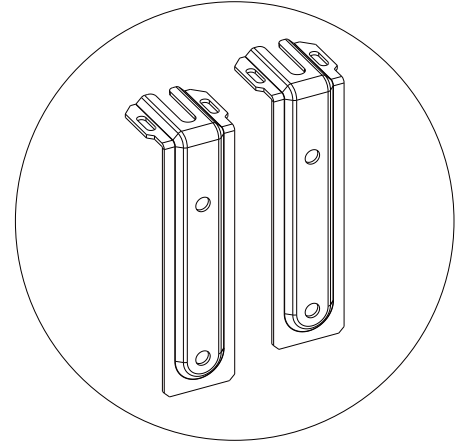
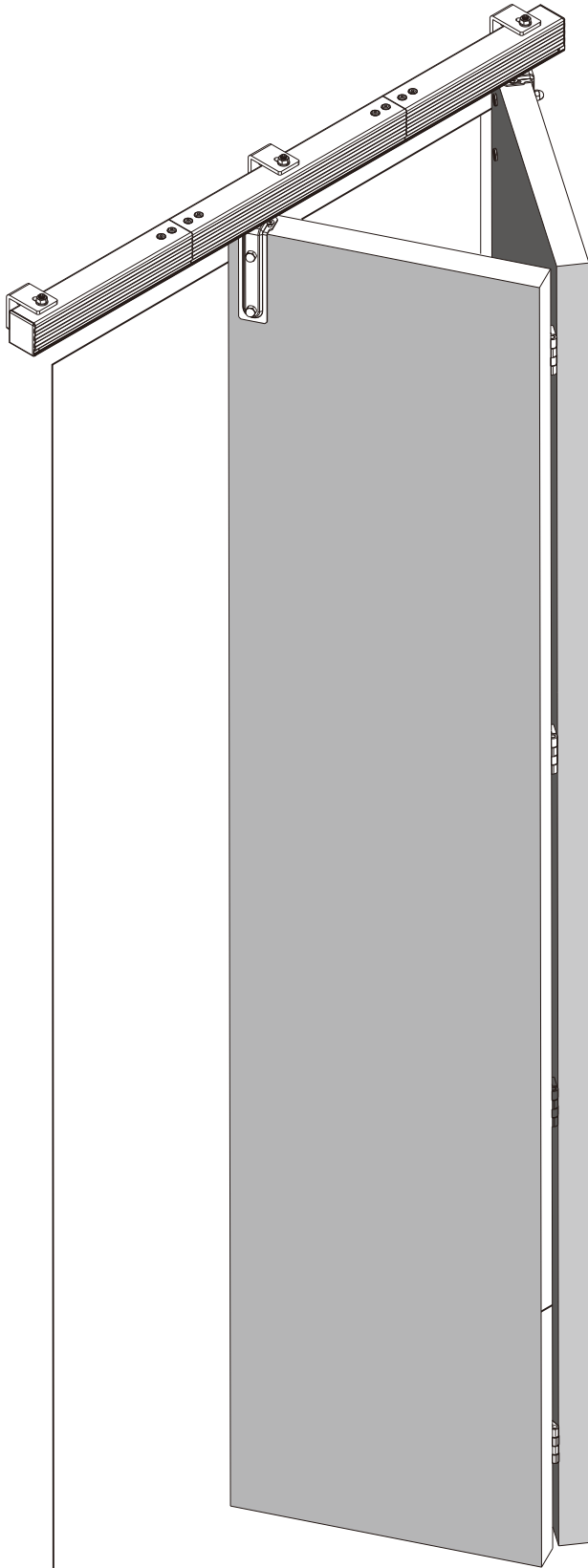


# Installation Guide



EC	REP
----	-----

Company: E-CrossStu GmbH  
 Address: Mainzer Landstr.69, 60329 Frankfurt am Main  
 Mail: E-CrossStu@web.de

UK	REP
----	-----

Company: YH Consulting Limited  
 Address: C/O YH Consulting Limited Office 147, Centurion House ,  
 London Road , Staines-upon-Thames , Surrey , TW18 4AX  
 Mail: H2YHUK@gmail.com



## P00SZB-F

# WARNING and CAUTION !!!

## EN English

Please follow all safety operating procedures during installation. Pay attention to keep this product away from children.

## DE Deutsch

Bitte beachten Sie während der Installation alle Sicherheitsvorschriften. Achten Sie darauf, dieses Produkt von Kindern fernzuhalten.

## FR Français

Pendant l'installation, suivez toutes les procédures d'exploitation de sécurité. Prenez soin de garder ce produit loin des enfants.

## IT Italiano

Si prega di seguire tutte le procedure operative di sicurezza durante l'installazione. Prestare attenzione a tenere questo prodotto lontano dai bambini.

## ES Español

Durante la instalación, siga todos los procedimientos de operación de Seguridad. Preste atención a mantener este producto alejado de los niños.

## NL Nederlands

Volg alle veiligheidsprocedures tijdens de installatie. Let op om dit product uit de buurt van kinderen te houden.

## PL Polski

Podczas instalacji należy przestrzegać wszystkich procedur bezpieczeństwa. Zwróć uwagę, aby trzymać ten produkt z dala od dzieci.

## CZ Čeština

Během instalace dodržujte všechny bezpečnostní provozní postupy. Věnujte pozornost tomu, aby tento výrobek udržel dál od dětí.

## SE Svenska

Följ alla säkerhetsrutiner under installationen. Var uppmärksam på att hålla denna produkt borta från barn.

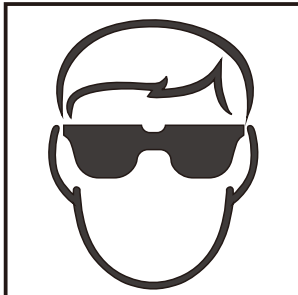
## TR Türkçe

Lütfen kurulu sırasında tüm güvenlik işleme prosedürlerini takip edin. Bu ürünü çocuklardan uzak tutmak için dikkat et.

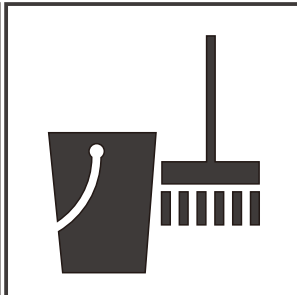
# Please Read Carefully



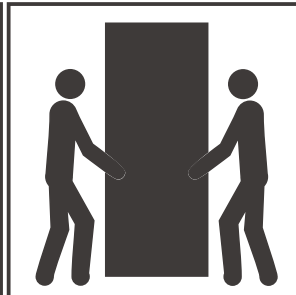
Read all instructions carefully



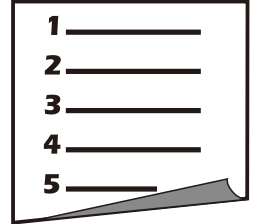
Protect your eyes by wearing safety goggles



Keep the installation area free of clutter



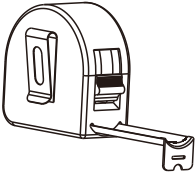



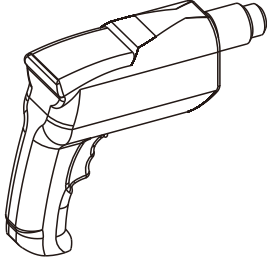
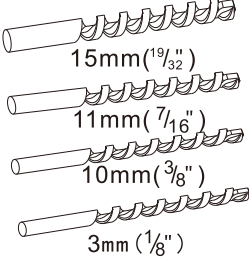
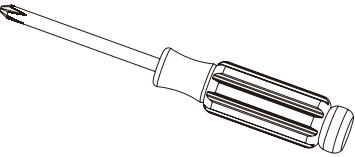
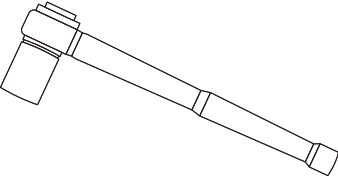
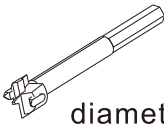
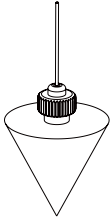
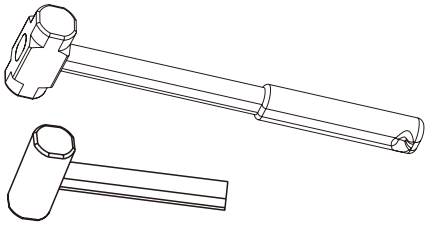
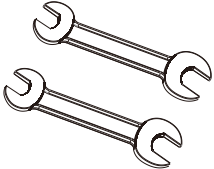
We recommend two people for certain parts of the installation



Follow each step completely before starting the next step

## Tools Needed(Prepared by Yourself)

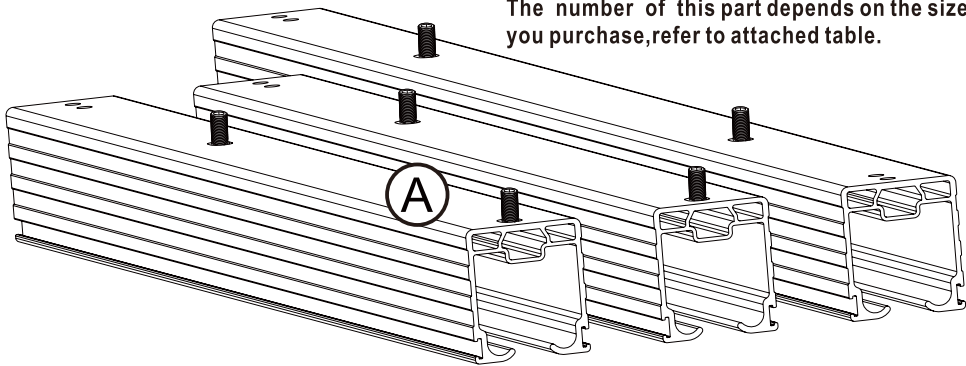
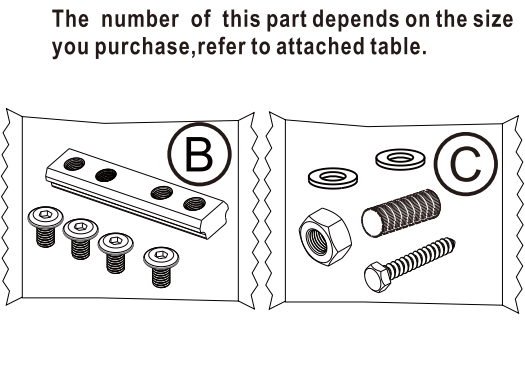
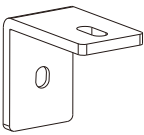
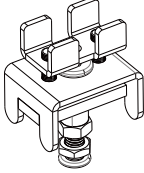
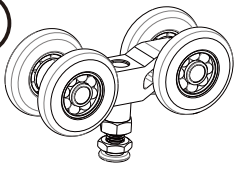
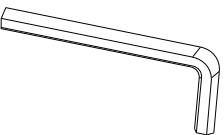
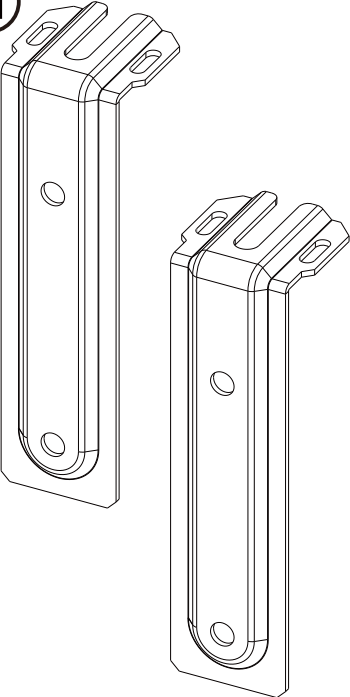
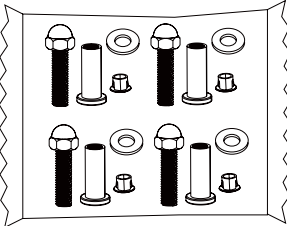

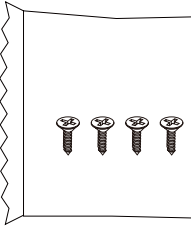
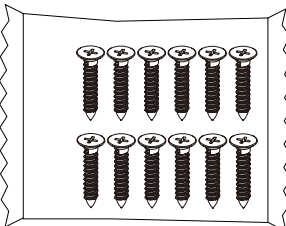
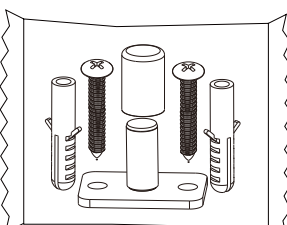
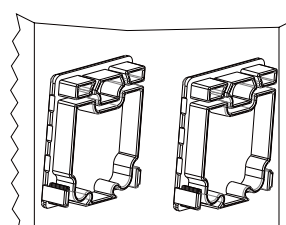
Please have all of the above tools available before installation so that installation will be easier.

<p><b>Tape measure</b></p> 	<p><b>levelling instrument</b></p> 	<p><b>Stud Finder</b></p> 
<p><b>Marking tools</b></p> 	<p><b>Electric drill</b></p> 	<p><b>Drill bits</b></p>  <p>15mm (<math>\frac{19}{32}</math>" )            11mm (<math>\frac{7}{16}</math>" )            10mm (<math>\frac{3}{8}</math>" )            3mm (<math>\frac{1}{8}</math>" )</p>
<p><b>Phillips screwdriver</b></p> 	<p><b>Deep Socket Wrench</b></p> 	<p><b>Hole Saw</b></p>  <p>diameter 15mm (<math>\frac{19}{32}</math>" )</p>
<p><b>Plumb Bob</b></p> 	<p><b>Hammer</b></p>  <p><b>Rubber Hammer</b></p>	<p><b>Combination Wrench</b></p>  <p><b>Two #13 wrenches.</b></p>

# IMPORTANT!

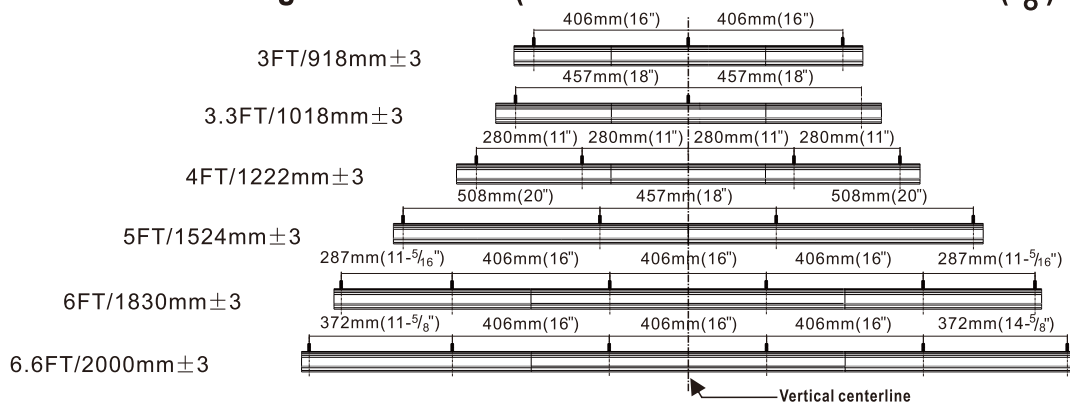
Check whether all the parts are complete after receiving the goods, if there are missing or damaged, please do not return the goods, contact your customer service, we will provide you with free replacement.

## Packaging List

 <p>The number of this part depends on the size you purchase, refer to attached table.</p>		 <p>The number of this part depends on the size you purchase, refer to attached table.</p>	
<b>(D)</b>		<b>(E)</b>	
<b>(F)</b>		<b>(G)</b>	
<b>(H)</b>		<b>(I)</b>	 <b>×1</b>
<b>(L)</b>	 <b>×3</b>	<b>(J)</b>	 <b>×1</b>
<b>(M)</b>	 <b>×1</b>	<b>(K)</b>	 <b>×1</b>
<b>(N)</b>	 <b>×1</b>		

## Check the length and drilling distance of the purchased track

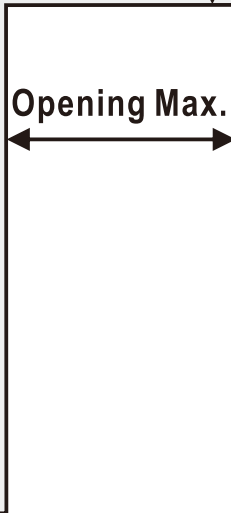
Hole distance for different lengths of box rail (there is an error of about 3mm (1/8") in size):



# Tips: Required Dimensions

## Track Fits Max. Door Opening

The minimum distance from the top of door opening to the ceiling is 120mm (4-3/4")

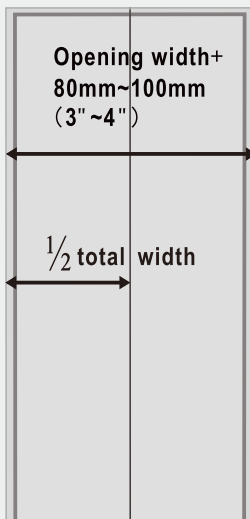


Track lengths and applicable door opening widths  
**There is an error of about 3mm (1/8") in size**

Track length	Max opening width
3FT\918mm	31inch\790mm
3.3FT\1018mm	35inch\890mm
4FT\1222mm	43inch\1090mm
5FT\1524mm	55inch\1395mm
6FT\1830mm	67inch\1700mm
6.6FT\2000mm	73inch\1860mm

floor

## Track Fits Door Panel Size



**Door Panel Total Width:**

Door Opening Width +80-100mm(3-4").

**Door Panel Height:**

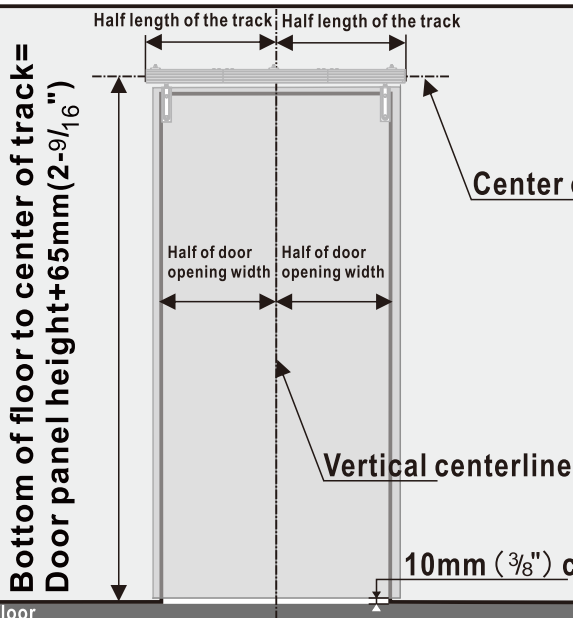
Door Opening Height +25-50mm(1-2").

**Door Panel Thickness:**25-48mm(1~1- 7/8").

**Door Panel Weight :**Max150kg (330lbs)

floor

## Track Installation Position



**Center of track position:**

Door panel height+65mm(2-9/16")

**Vertical of track position:**

Half of door opening width and  
 Half length of the track

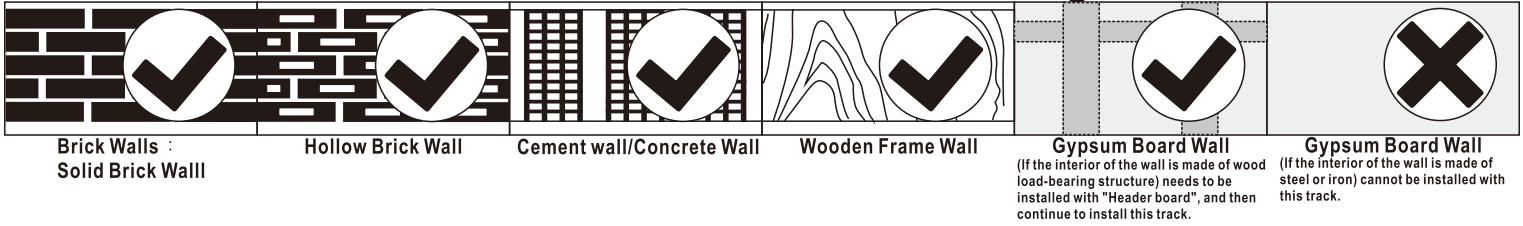
10mm (3/8") clearance between bottom door and floor

floor

# Before You Begin

**Warning:** Do not install the track directly on drywall or other walls which don't have enough weight capacity. If necessary, we recommend using a solid wood Header Board.

**▲ Ensure That Your Wall Has Sufficient Load-bearing.**



## 1 Check Your Wall

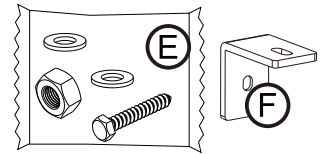
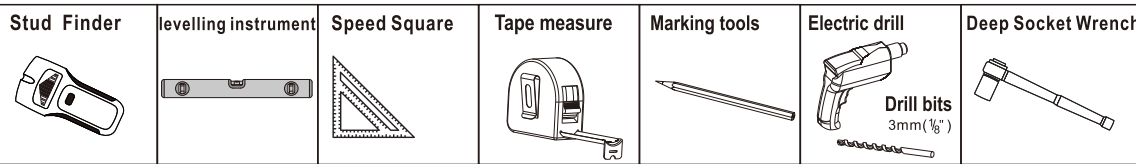
Check your shed roof construction before installing. Different constructions require different tools

Wood frame walls and gypsum board wall require the following tools :

(drilling steps on page 7-9)

### Tools

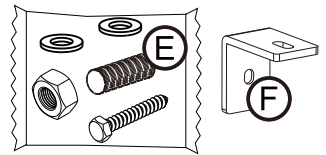
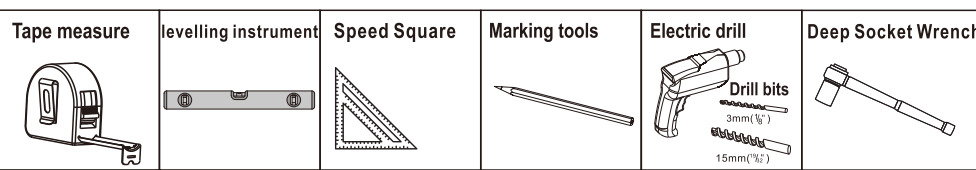
### Parts



Solid Brick Wall\Hollow Brick Wall\Concrete wall (drilling steps on pages 10-11) and cement wall require the following tools:

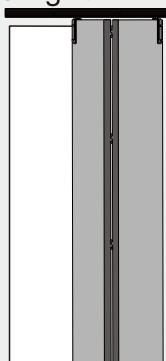
### Tools

### Parts

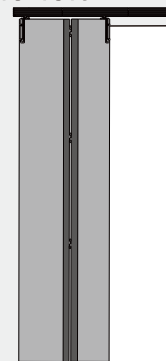


## 2 Pick Your Door Openg Direction

Open the door to the right



Open the door to the left

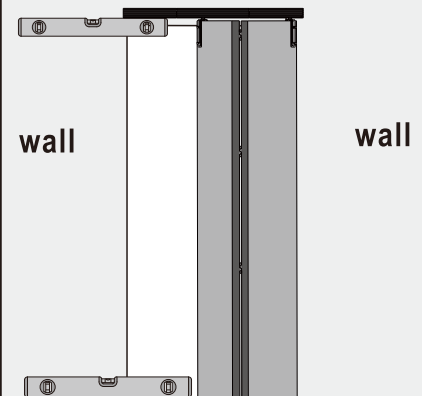


## 3 Check for level floor and center of track level

### IMPORTANT!

★ To ensure that the door opens and closes prorerly, use a level to check the floor and center of track are level before installing and measuring.

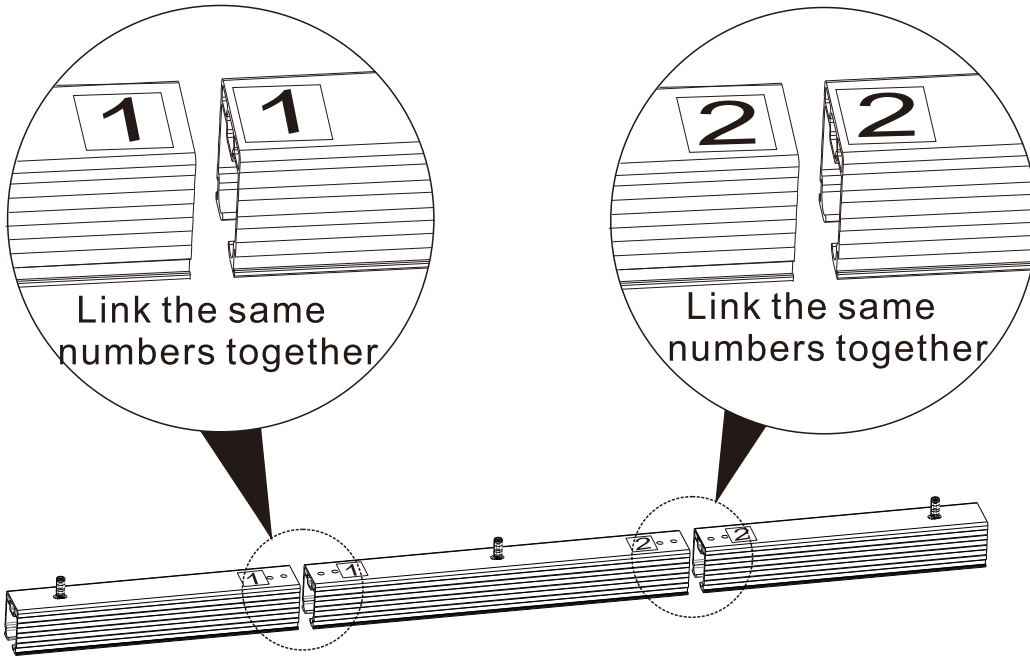
★ Tracks that are not level can cause sliding doors to jam, or door panels to slide sideways



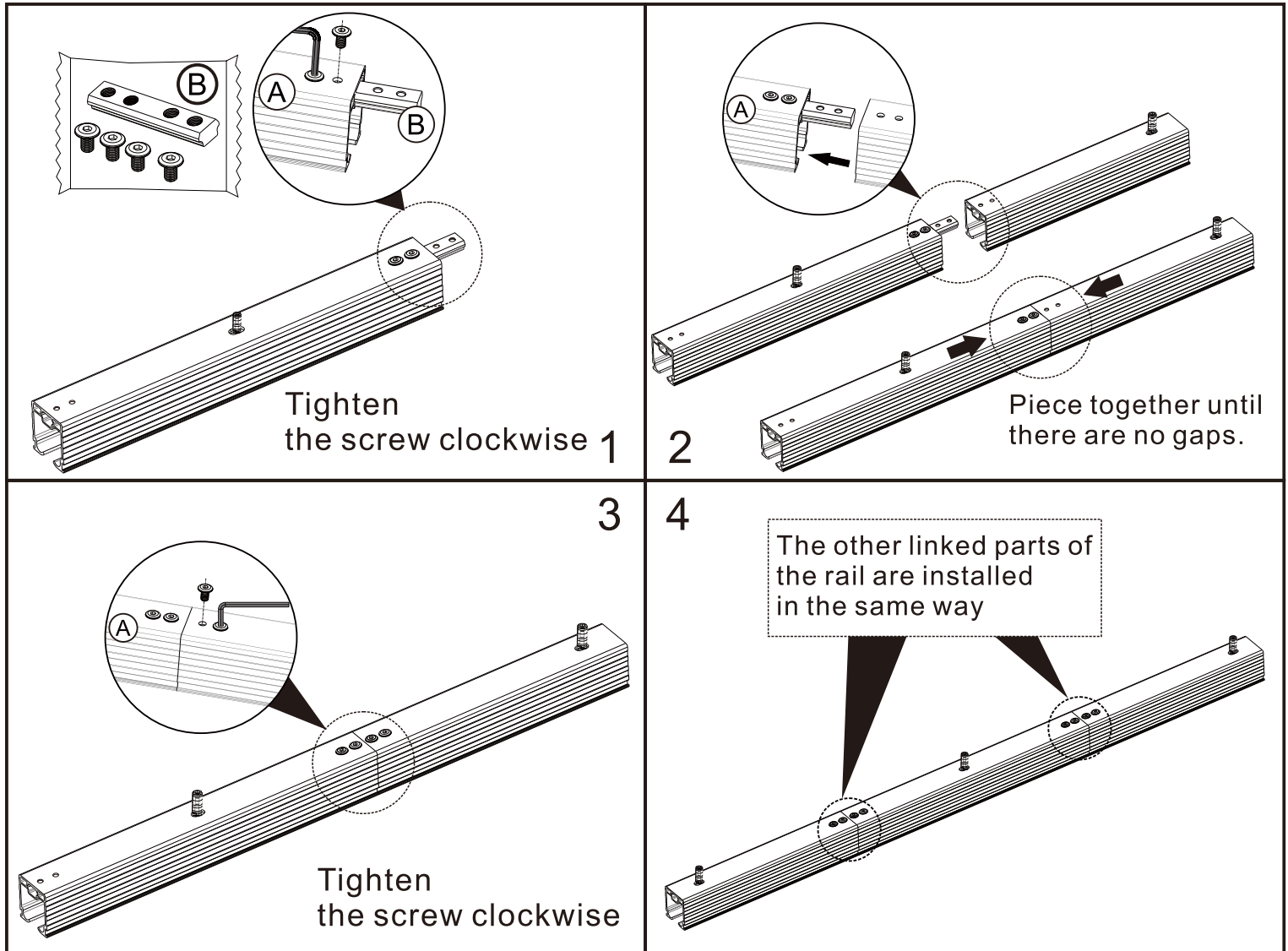
# Step1 Splicing Track

## ① Arrange tracks by serial number

 Wrong track orientation will not align the splice



## ② Connecting Segment Tracks



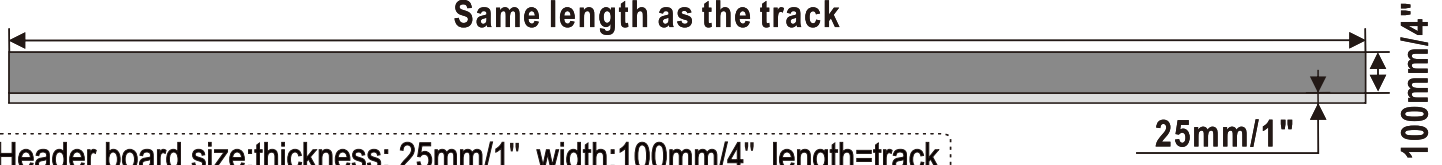
**Step 2: Install the track ("Plasterboard Wall" and "Wood Frame Wall" installation process in P7-P9; "Concrete Wall" please check P10~P11)**

**The track installation process for gypsum board wall and wood framed walls is as follows.**

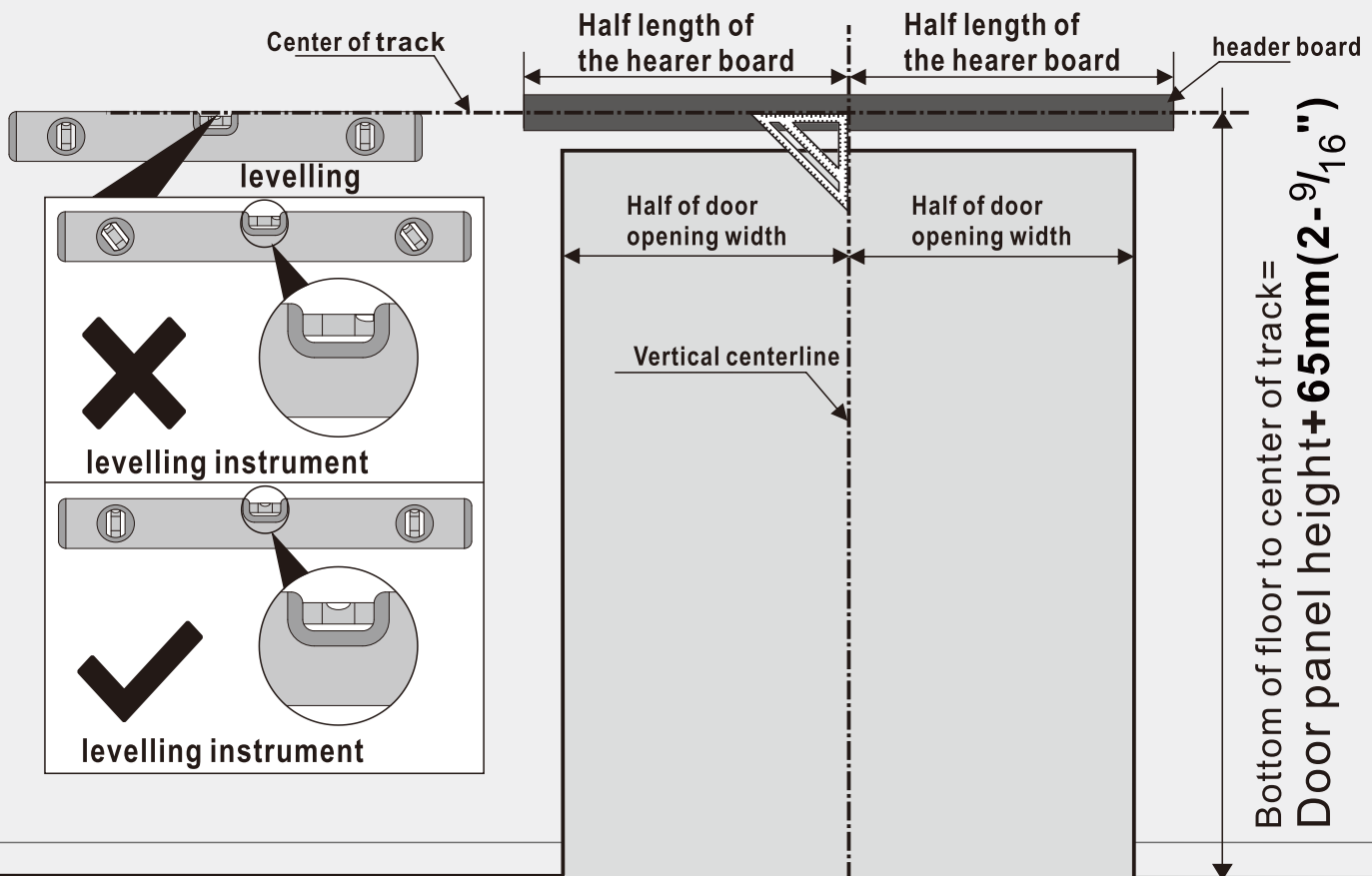
**(The header board needs to be prepared by yourself.)**

- ① Before installation, please "Prepare a Backboard" (please refer to the following suggested backboard size) and some nails needed to fix the backboard.

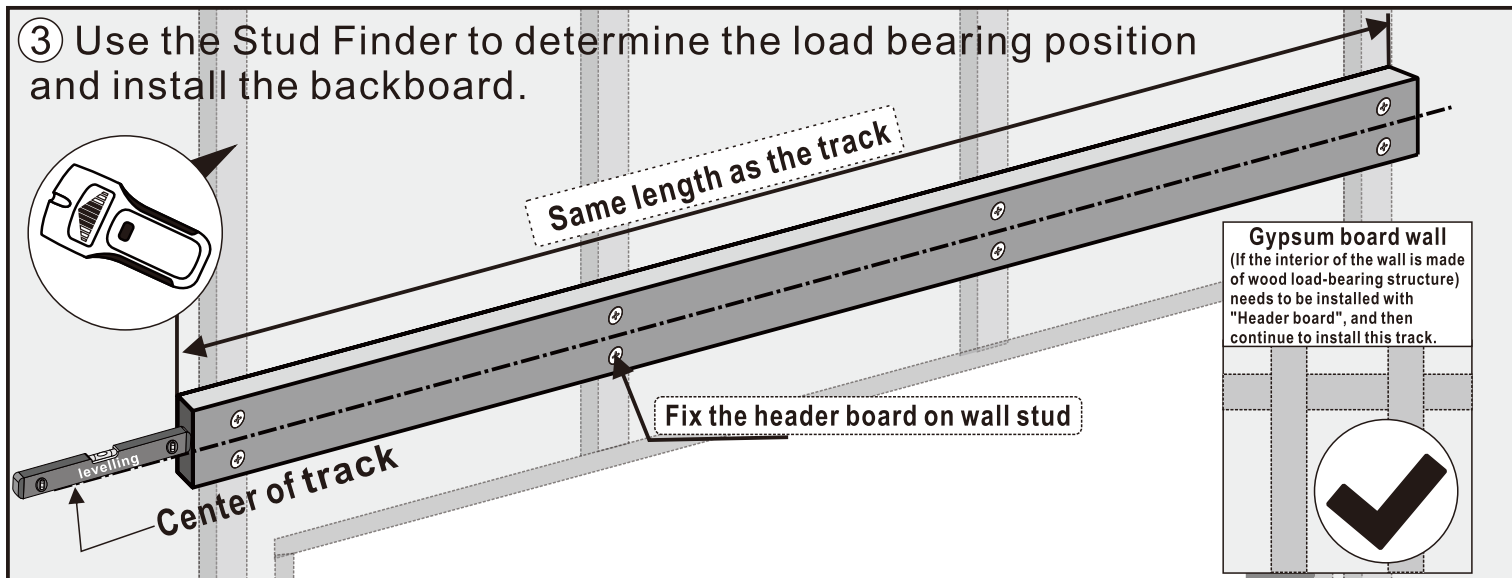
Same length as the track



- ② After the backboard is ready, please determine the installation position.



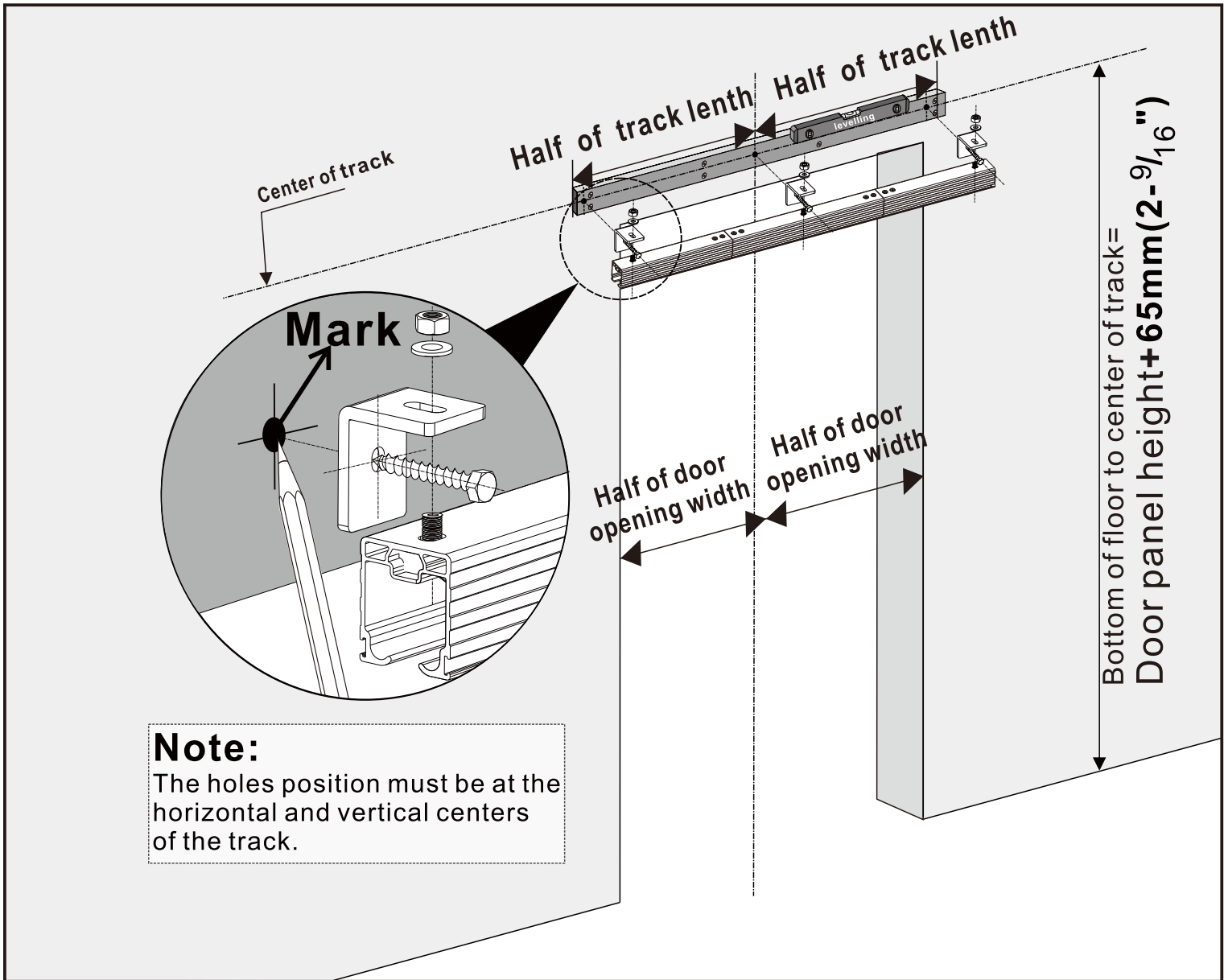
- ③ Use the Stud Finder to determine the load bearing position and install the backboard.





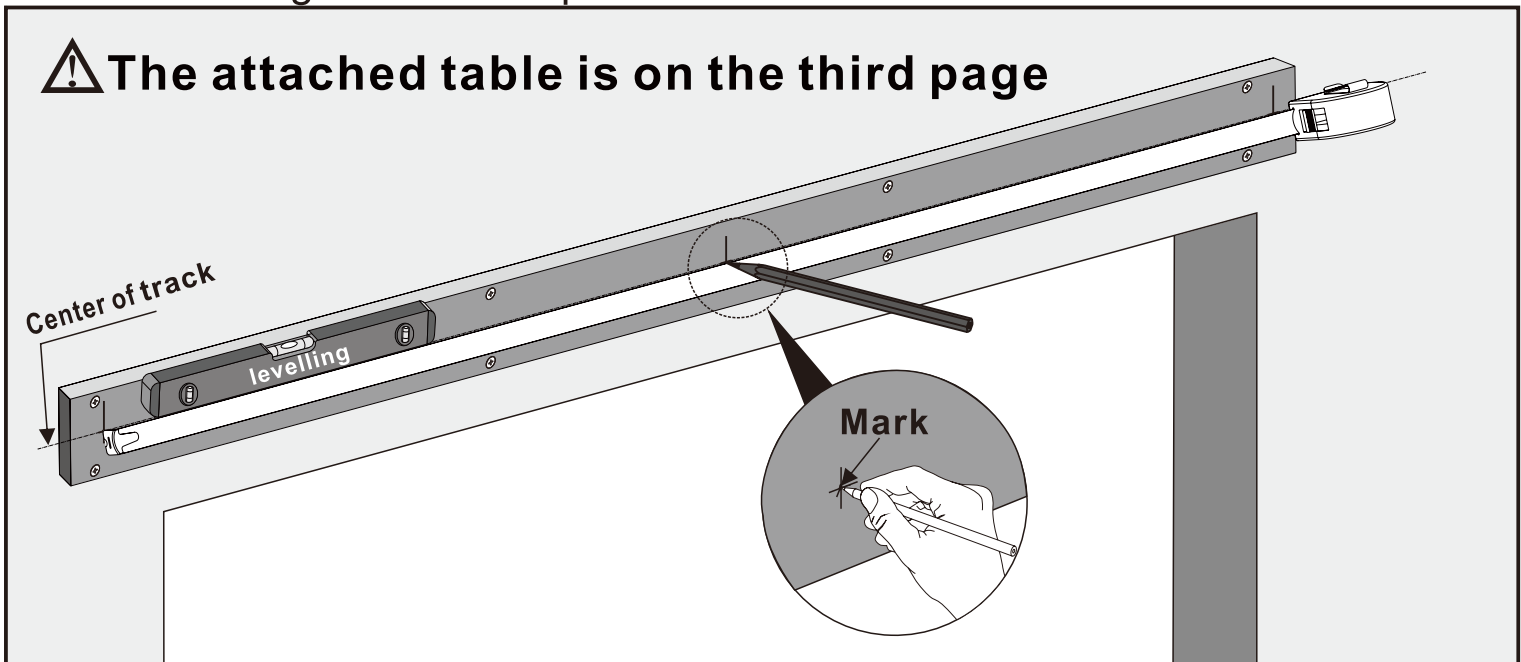
# The track installation process for gypsum board wall and wood framed walls is as follows.

④ As shown in the figure, find the drilling position on the wooden board and mark it



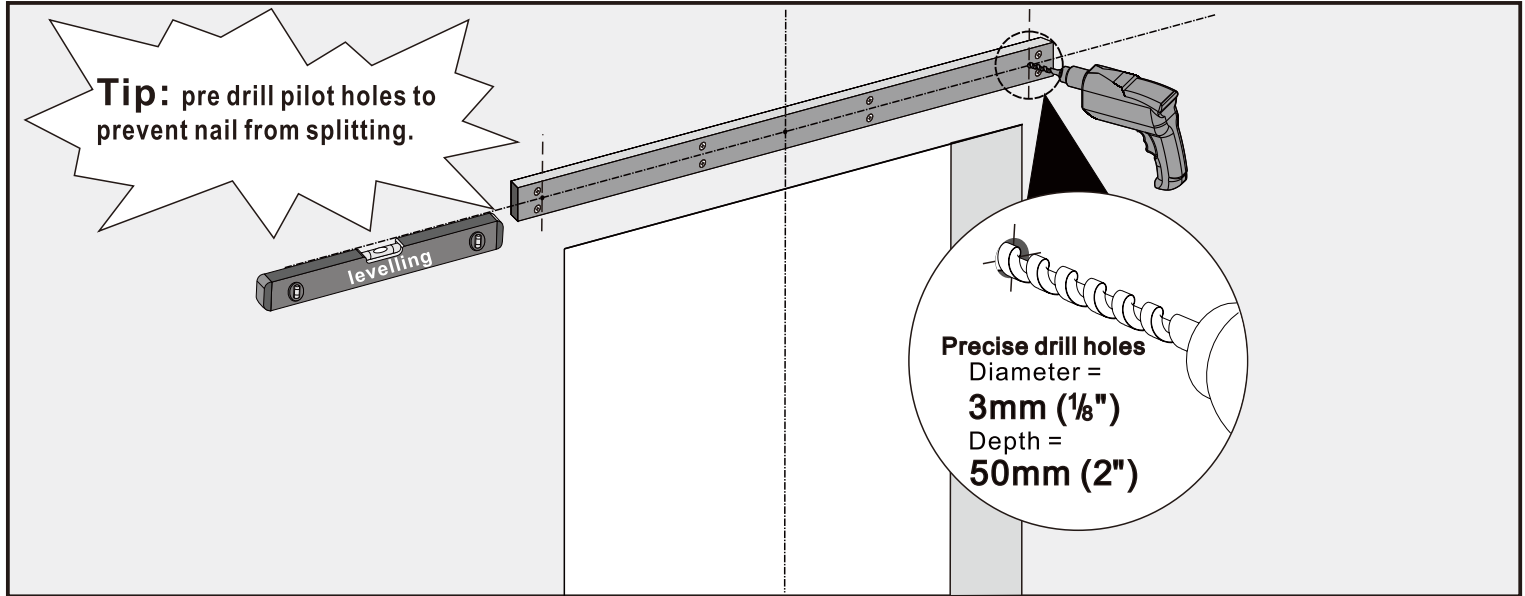
⑤ Refer to the dimensions in the attached table and proofread the dimensions again with a tape measure

**⚠ The attached table is on the third page**

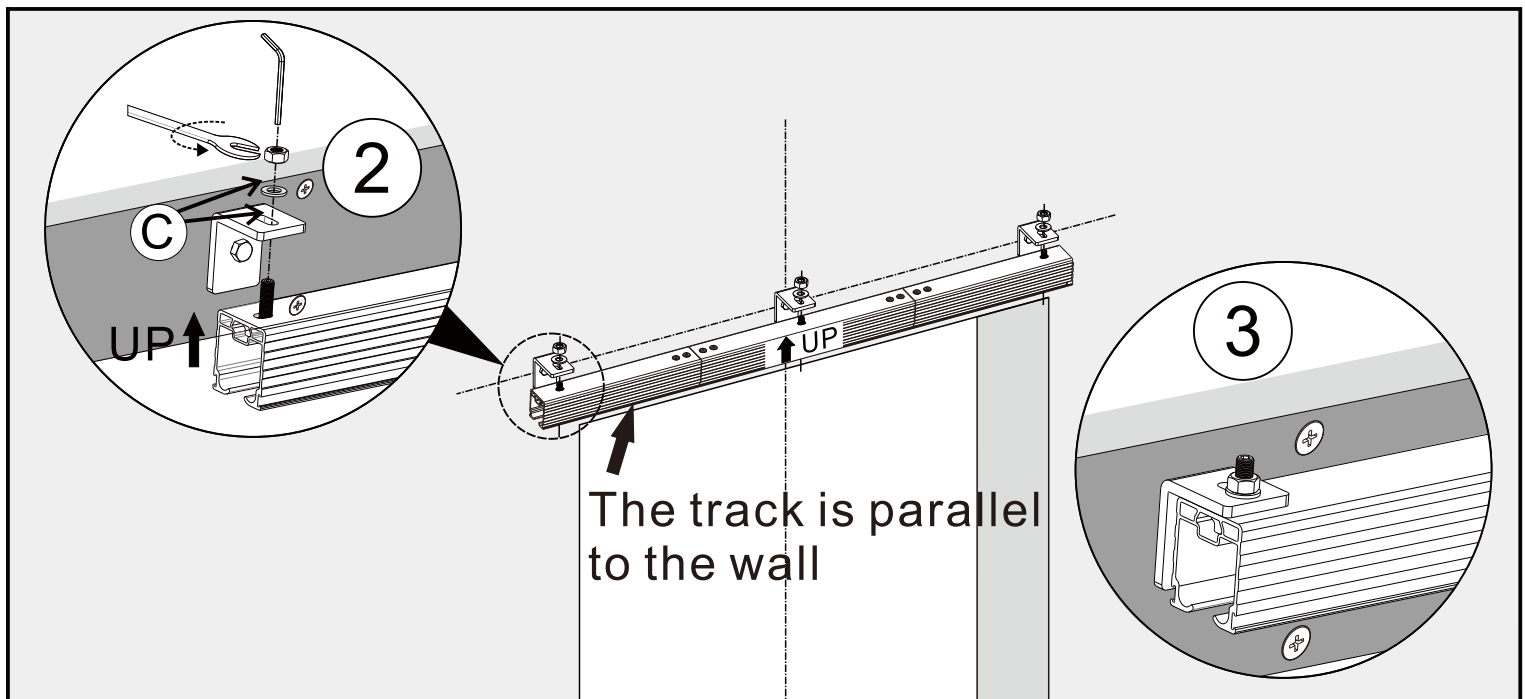
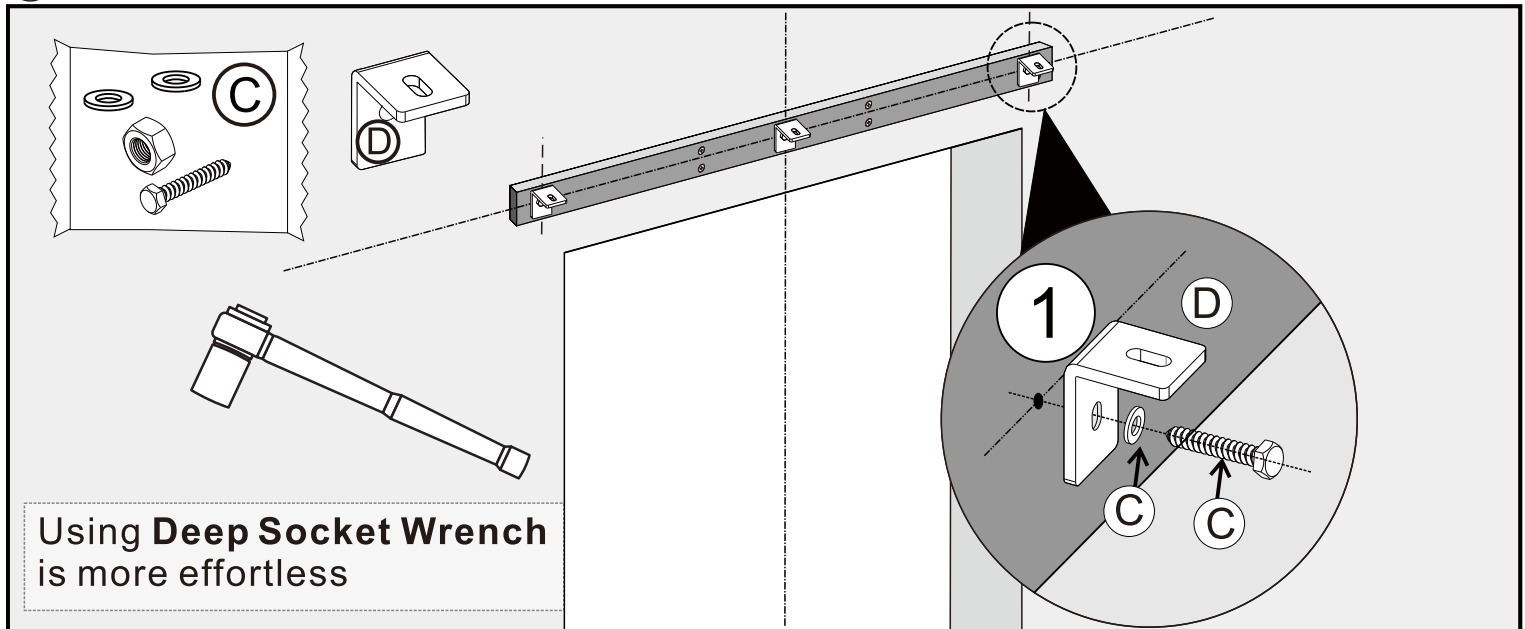


# The track installation process for gypsum board wall and wood framed walls is as follows.

⑥ Drill deep 50mm(2") holes with 3mm( 1/8") power drill

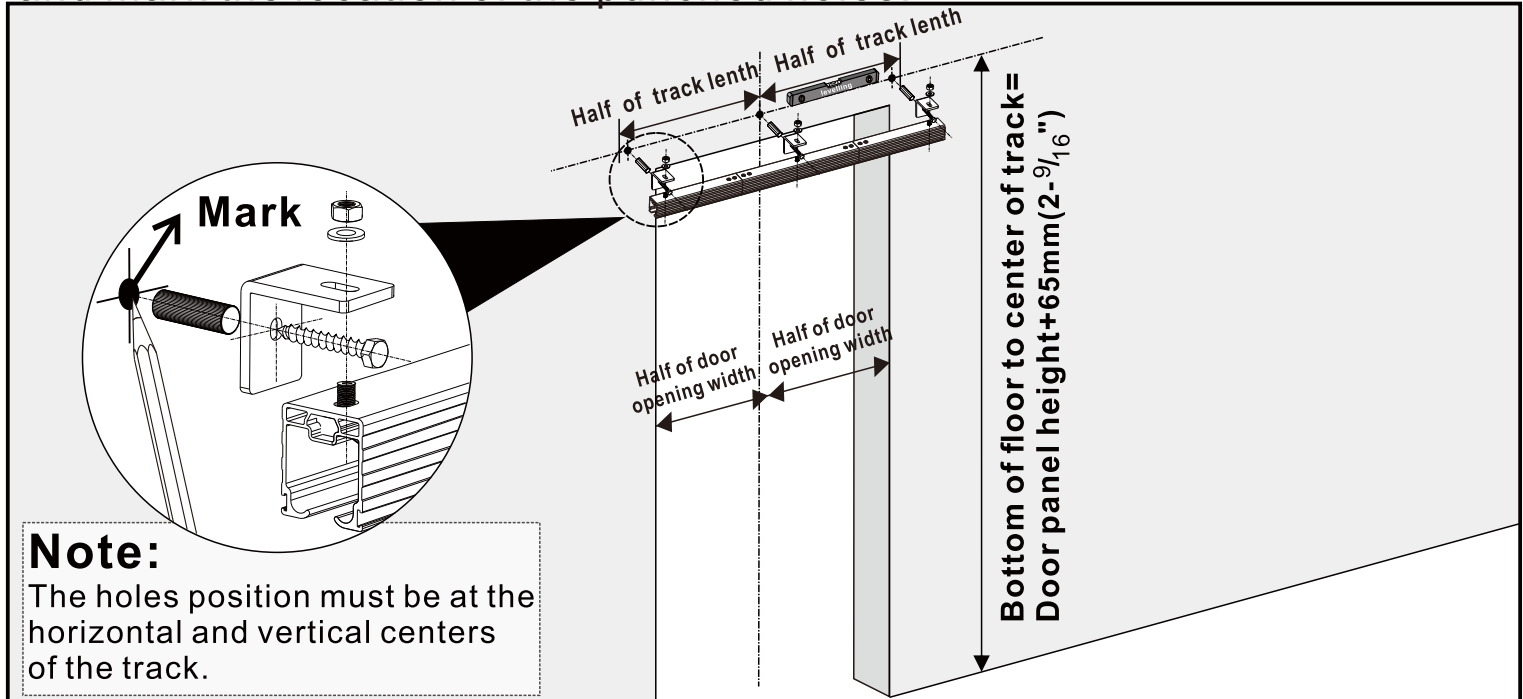


⑦ Install Track

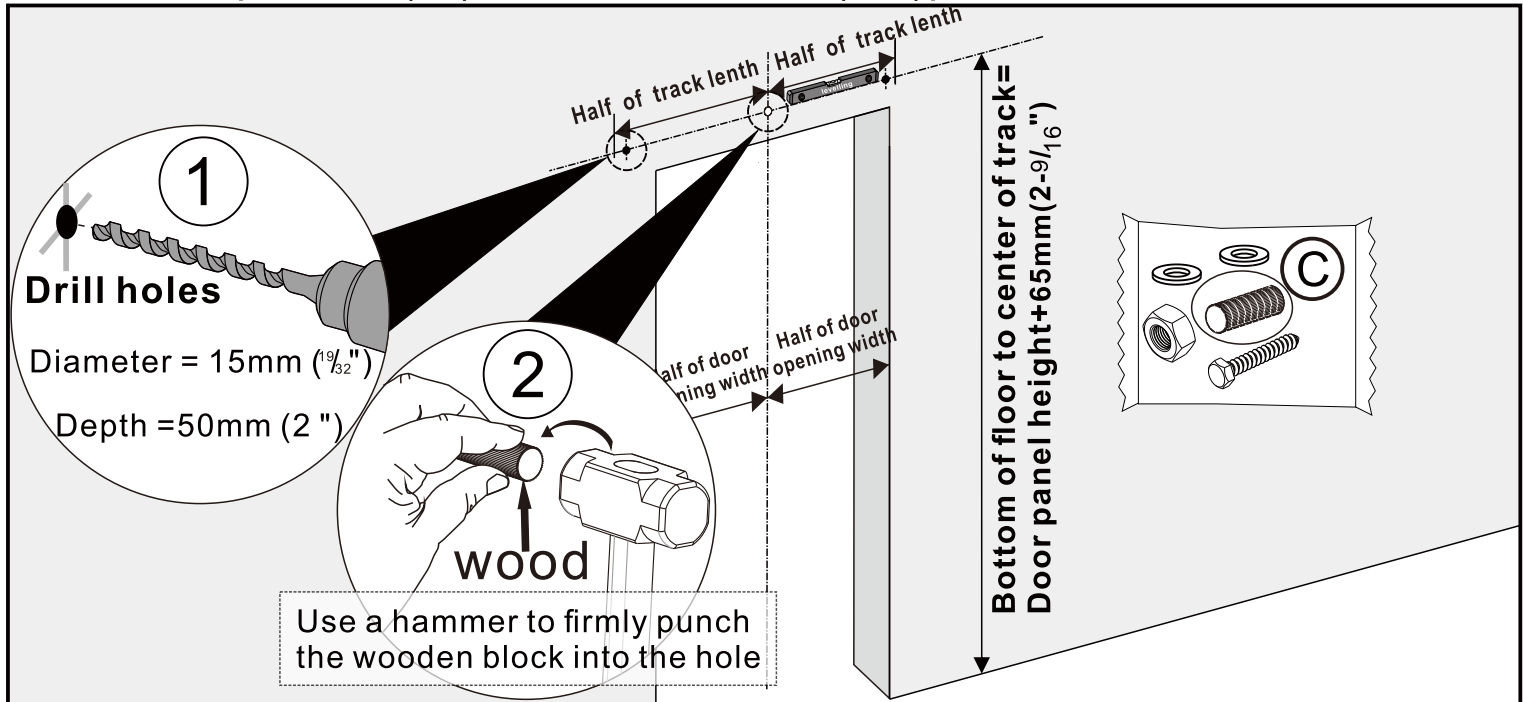


# The track installation process for Solid Brick Wall\Hollow Brick Wall\Concrete wall and cement wall is as follows.

① Refer to the picture instructions to locate the track mounting position and mark the location of the punched holes.

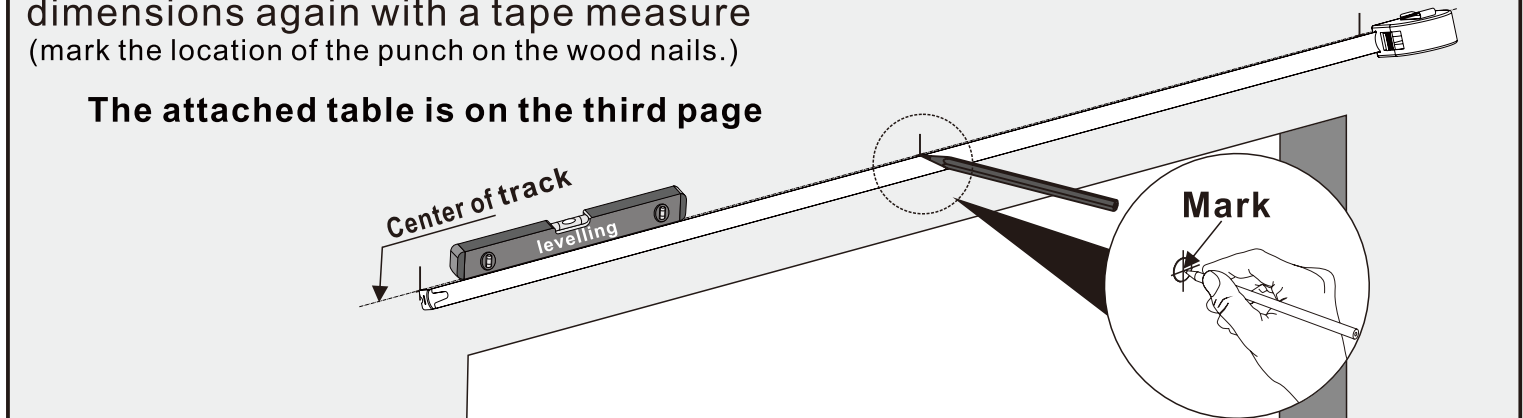


② Drill deep 50mm (2") holes with 15mm (19/32") power drill and put in the wood.



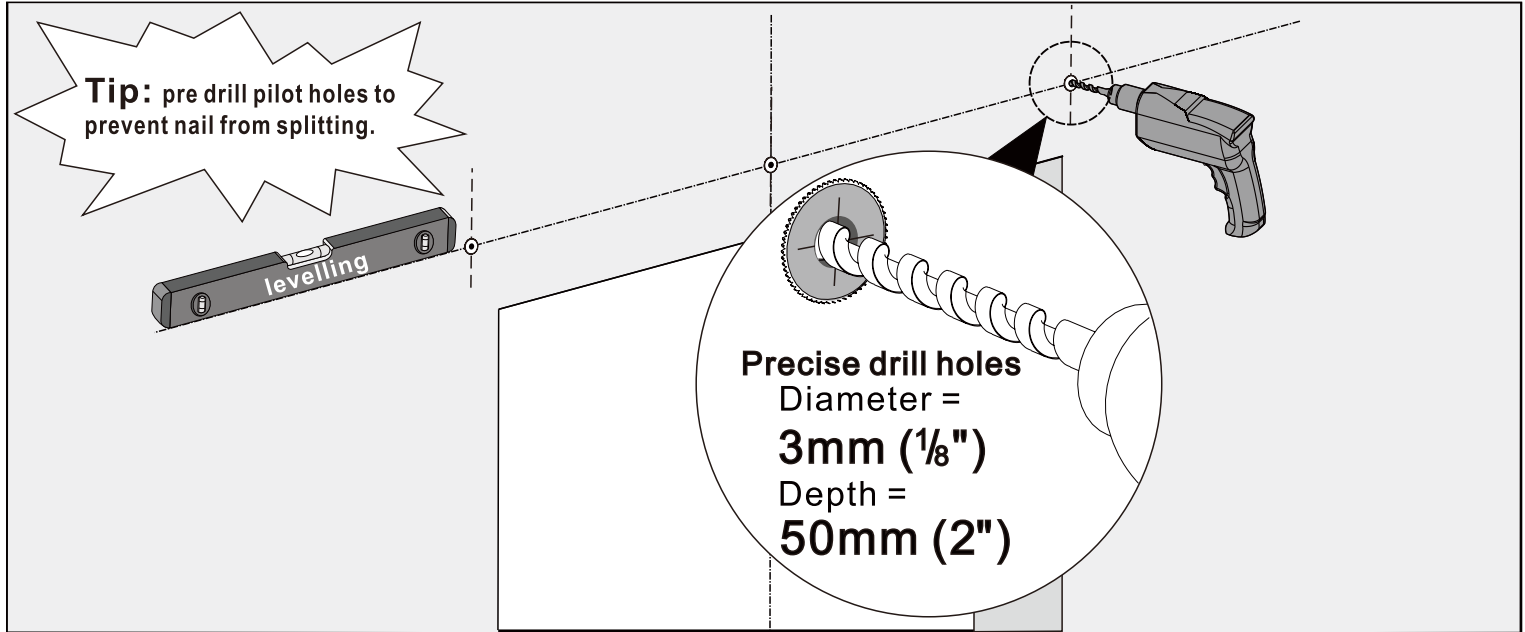
③ Refer to the dimensions in the attached table and proofread the dimensions again with a tape measure (mark the location of the punch on the wood nails.)

**The attached table is on the third page**

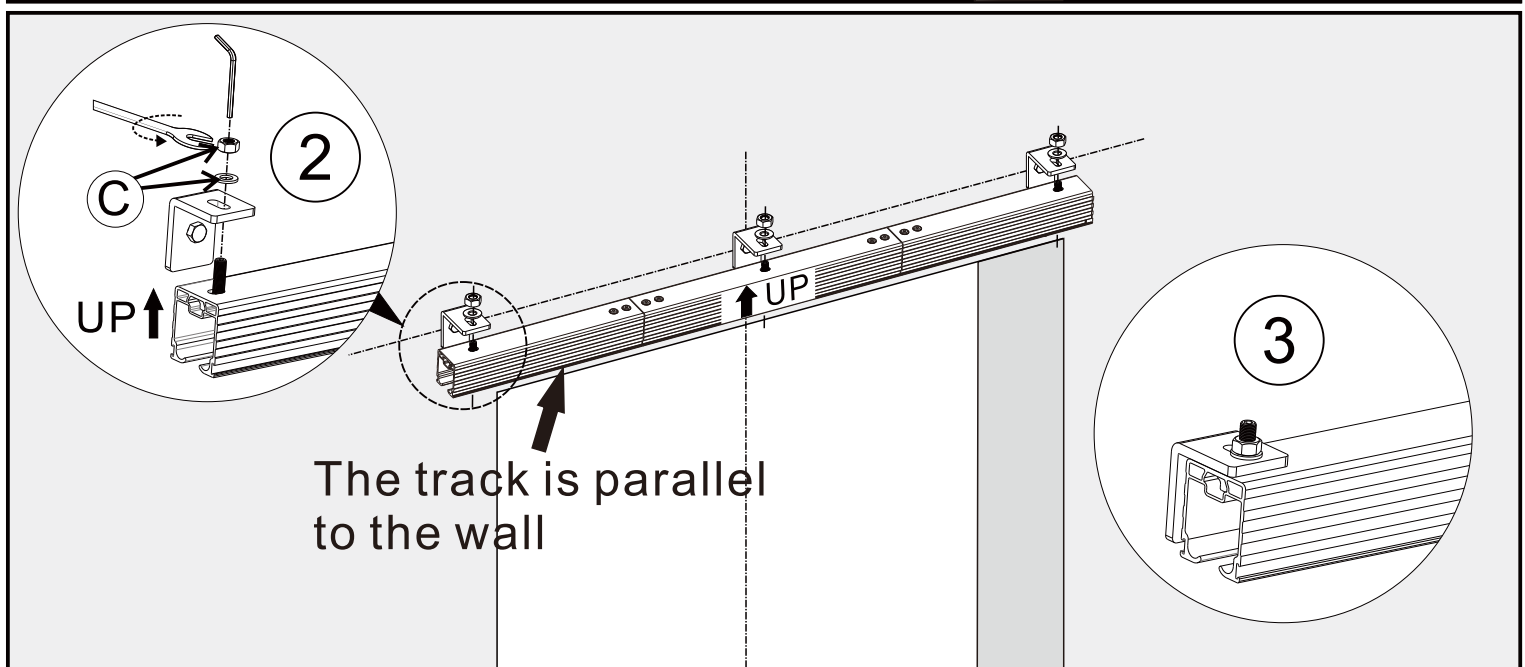
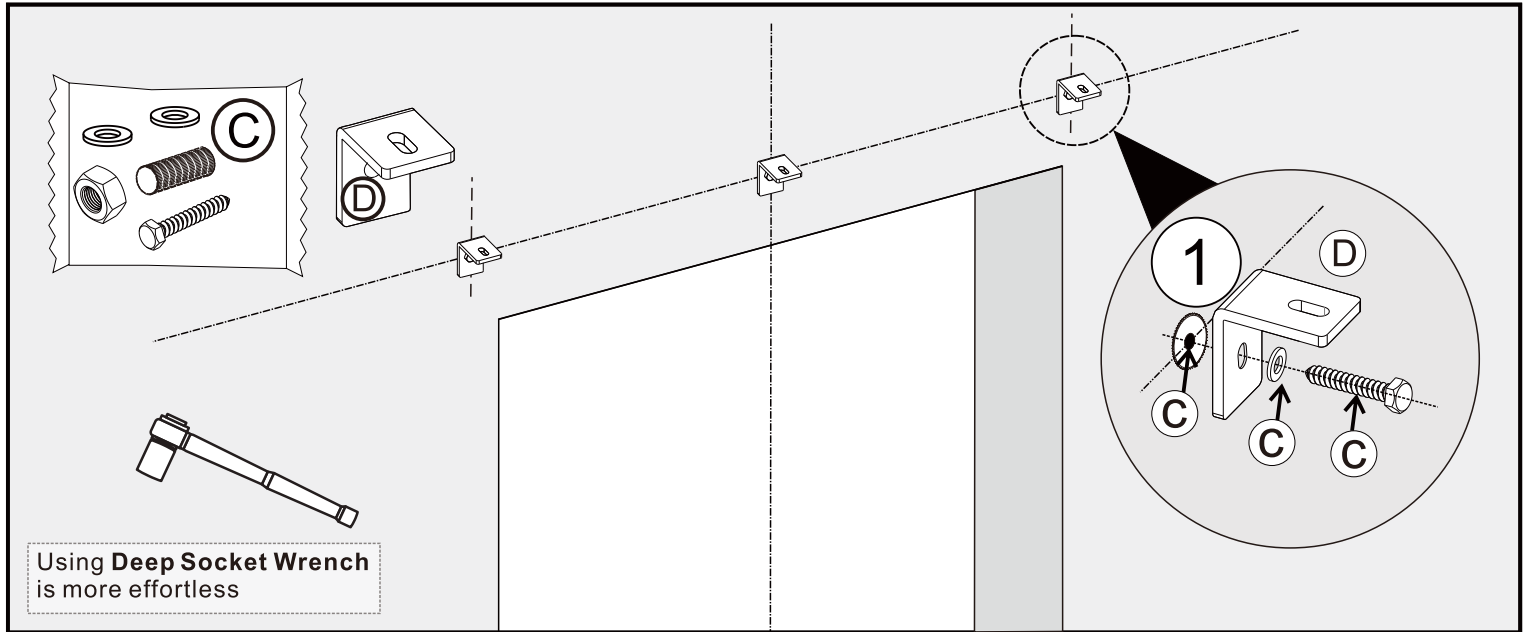


# The track installation process for Solid Brick Wall\Hollow Brick Wall\Cement wall and cement wall is as follows.

## ④ Drill deep 50mm(2") holes with 3mm ( 1/8 ") power drill

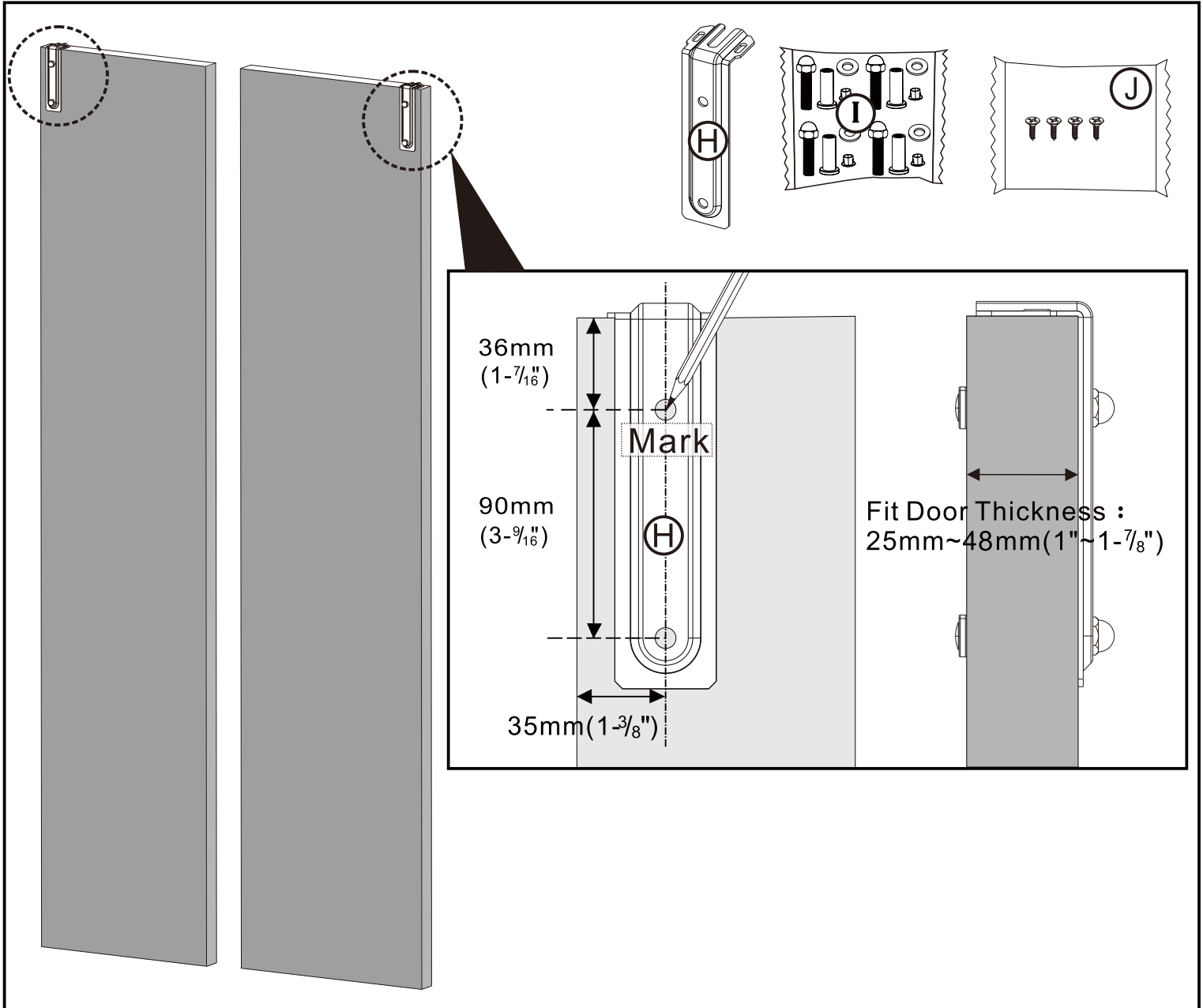


## ⑤ Install Track

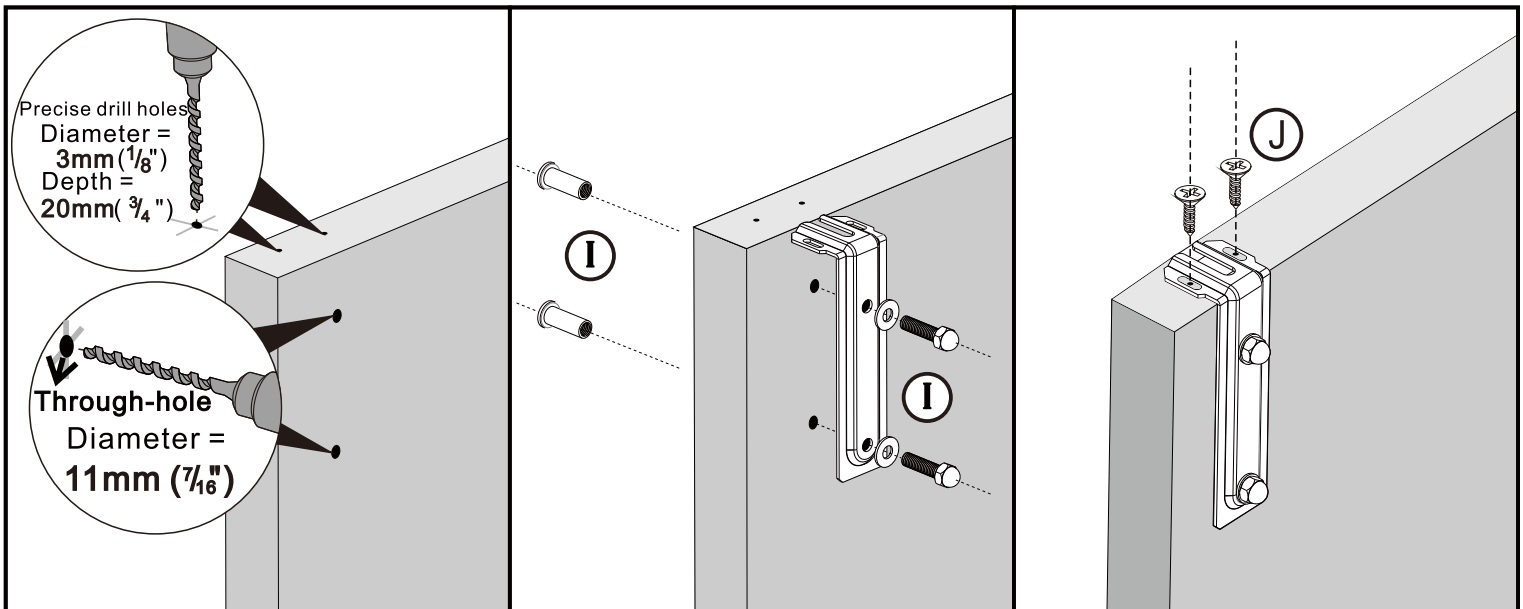


# Step 3 Install hanger

① Mark the holes to the front of door according to the dimensions indicated

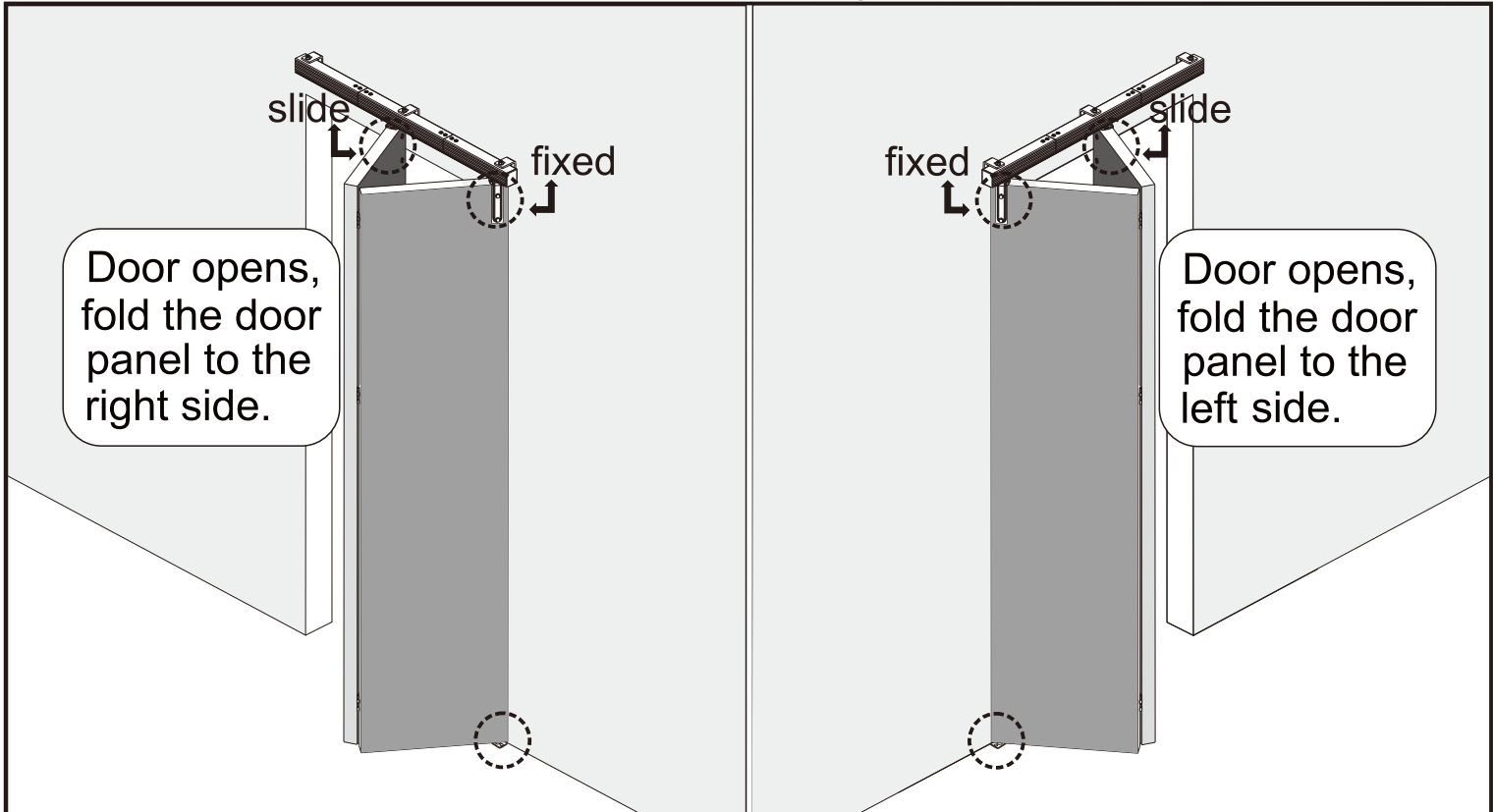


② Install the hanger as shown

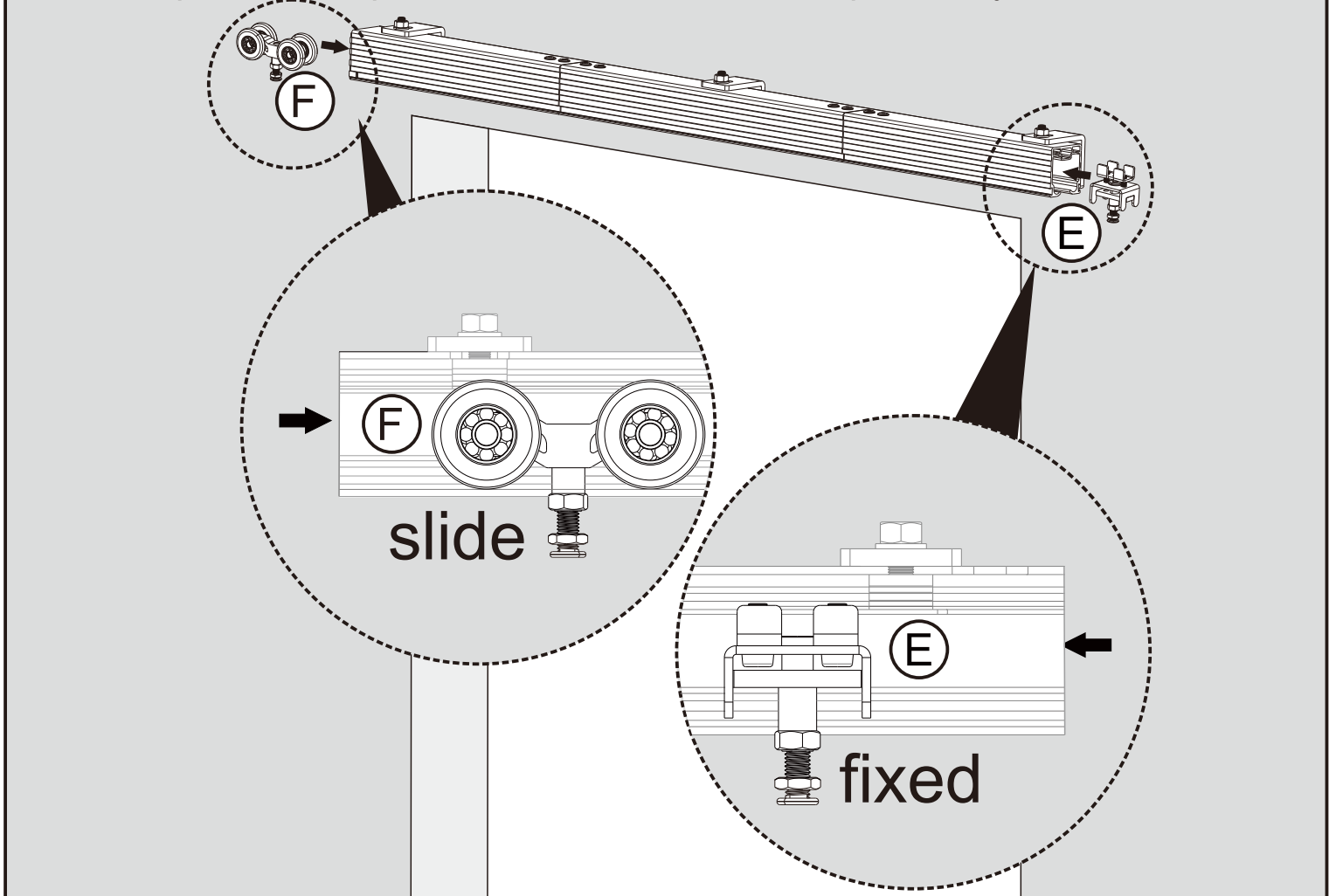


# Step 4 Determine the door opening direction

① Determine the direction the doors will open.



② Install part E and part F into the slide rail respectively.



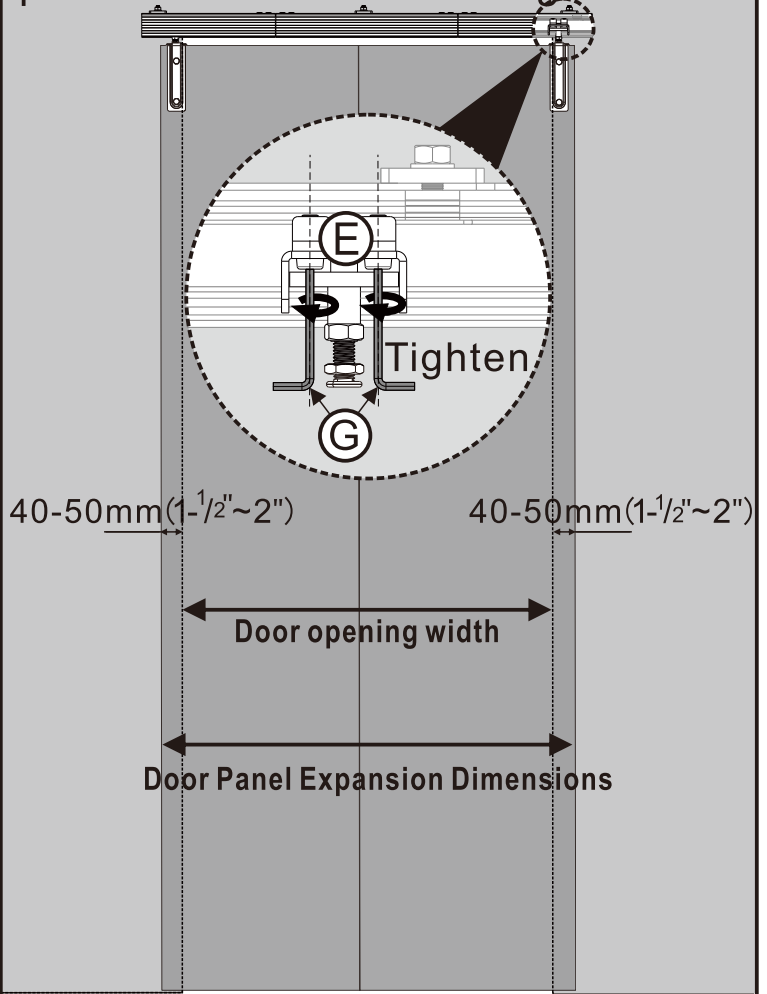
# Step 5 Determine door panel mounting position (Preferably done by 2 people )

① Pre-installed door panels



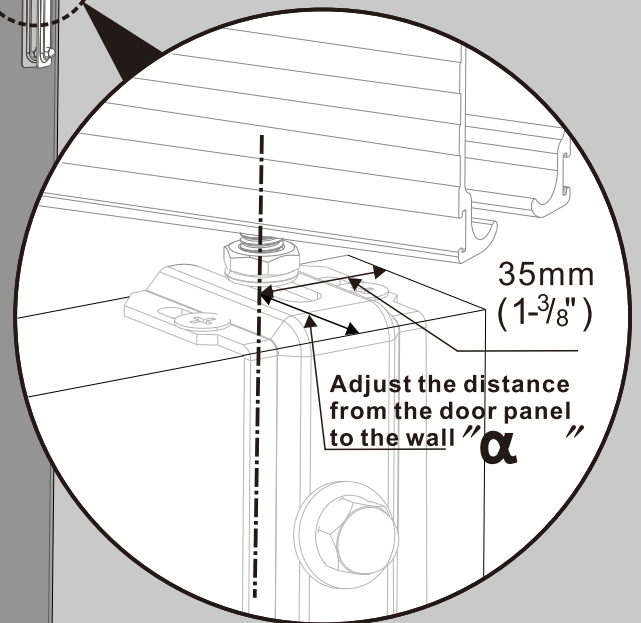
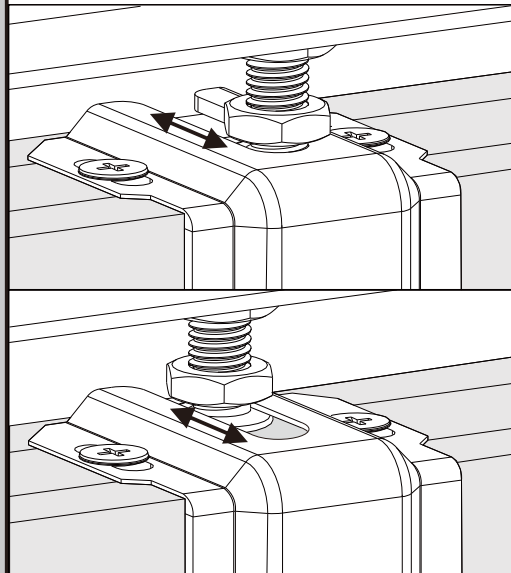
Don't link the two door panels yet, hang them on the track first to determine where to mount them.

② Confirm the mounting position of part "E" as shown in the figure.



① Rotate the door panel and adjust the distance from the door panel to the wall.

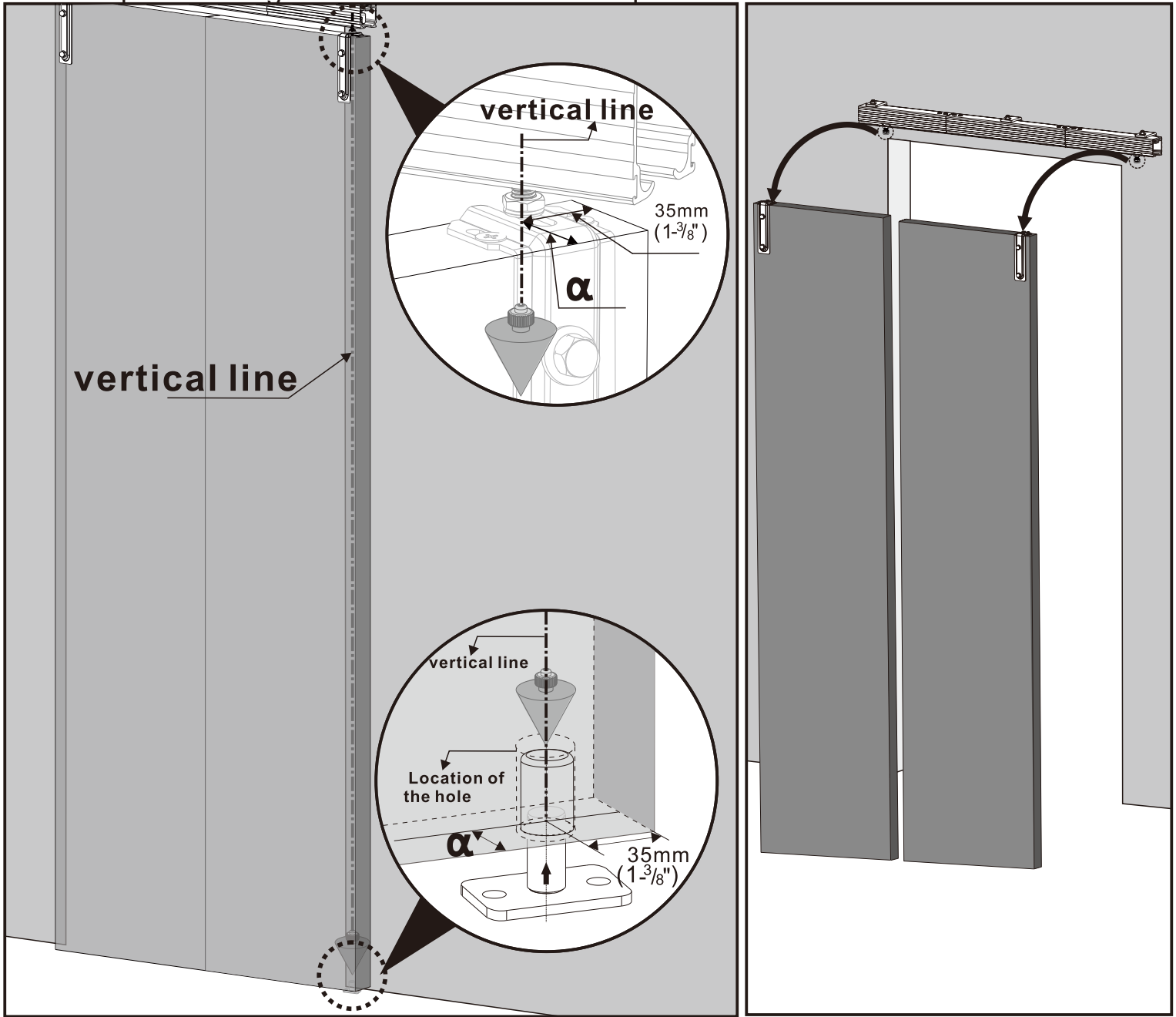
Forward and backward fine-tuning of door panel position



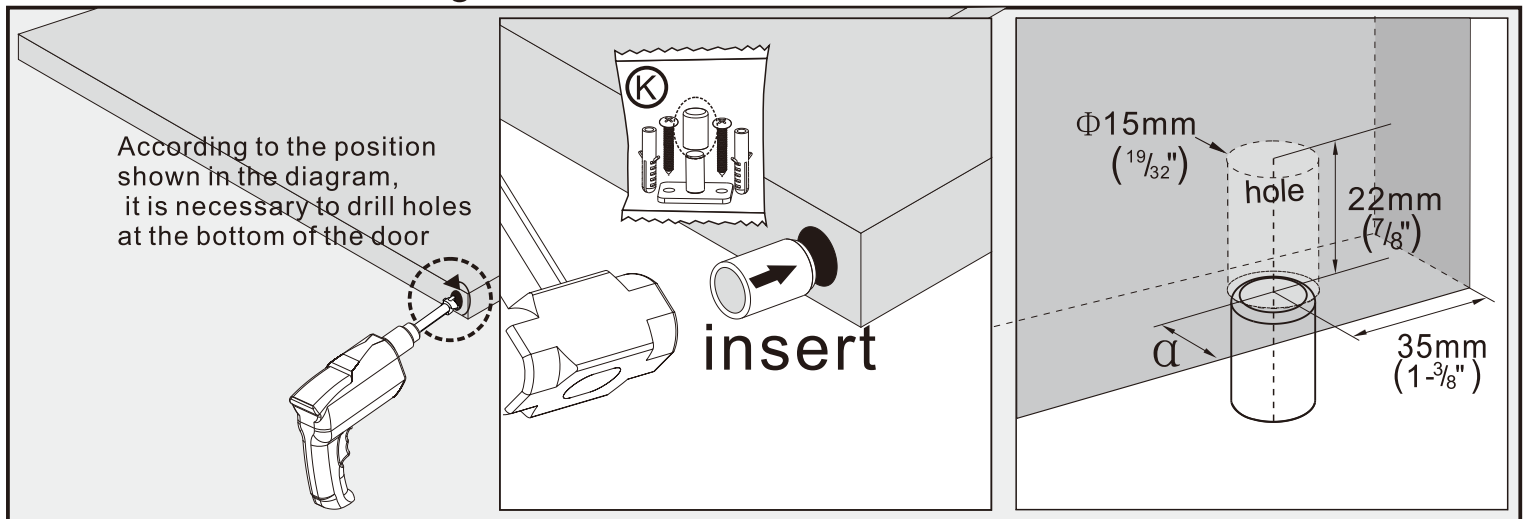
Adjust the distance from the door panel to the wall " $\alpha$ "

# Step 6 Punching holes for swivels underneath the door panel

- ① Mark the hole punching location on the bottom of the door panel along the vertical centerline of part "E".      ② Take off the door panel.



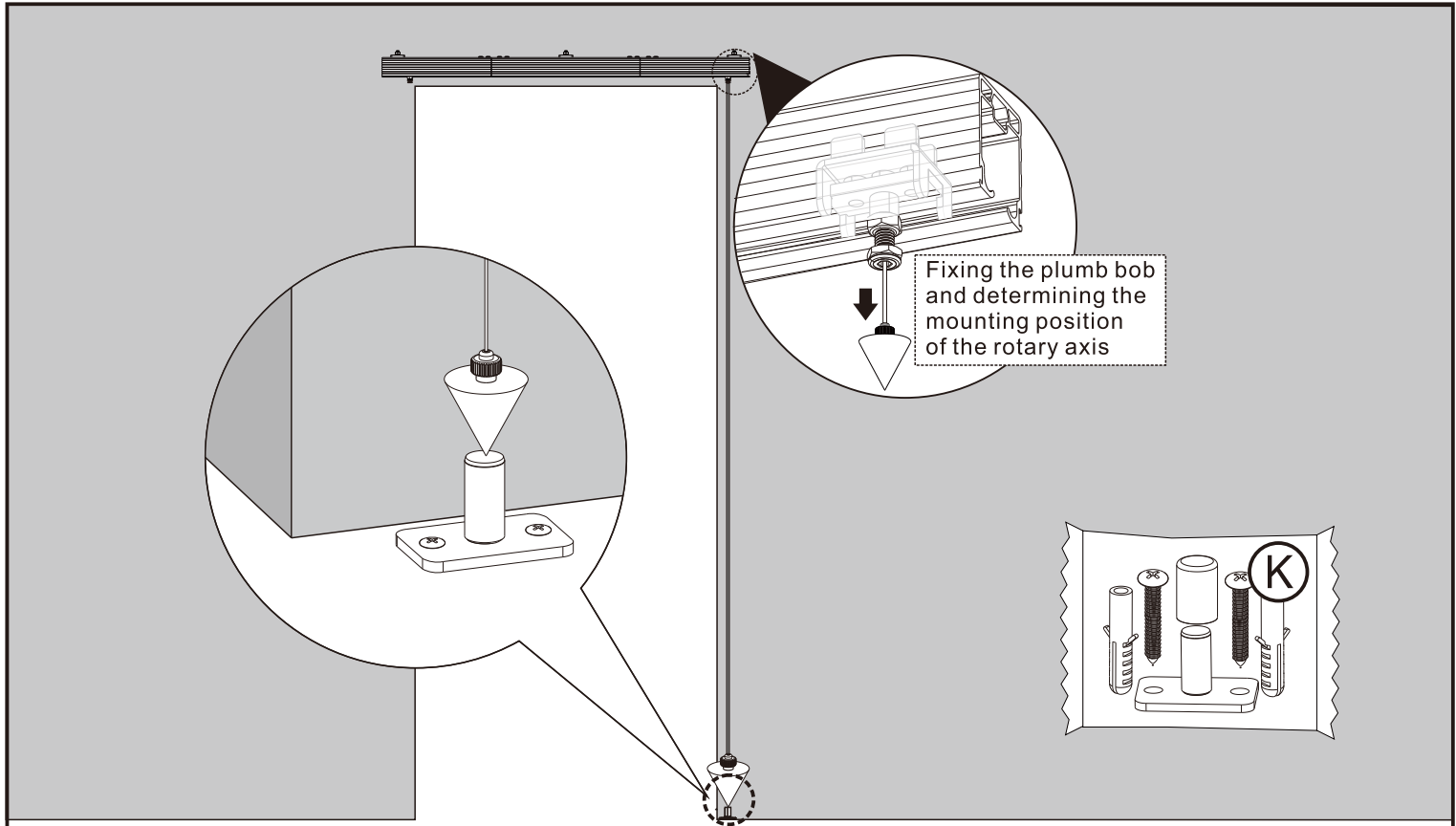
- ③ Drill holes according to the dimension



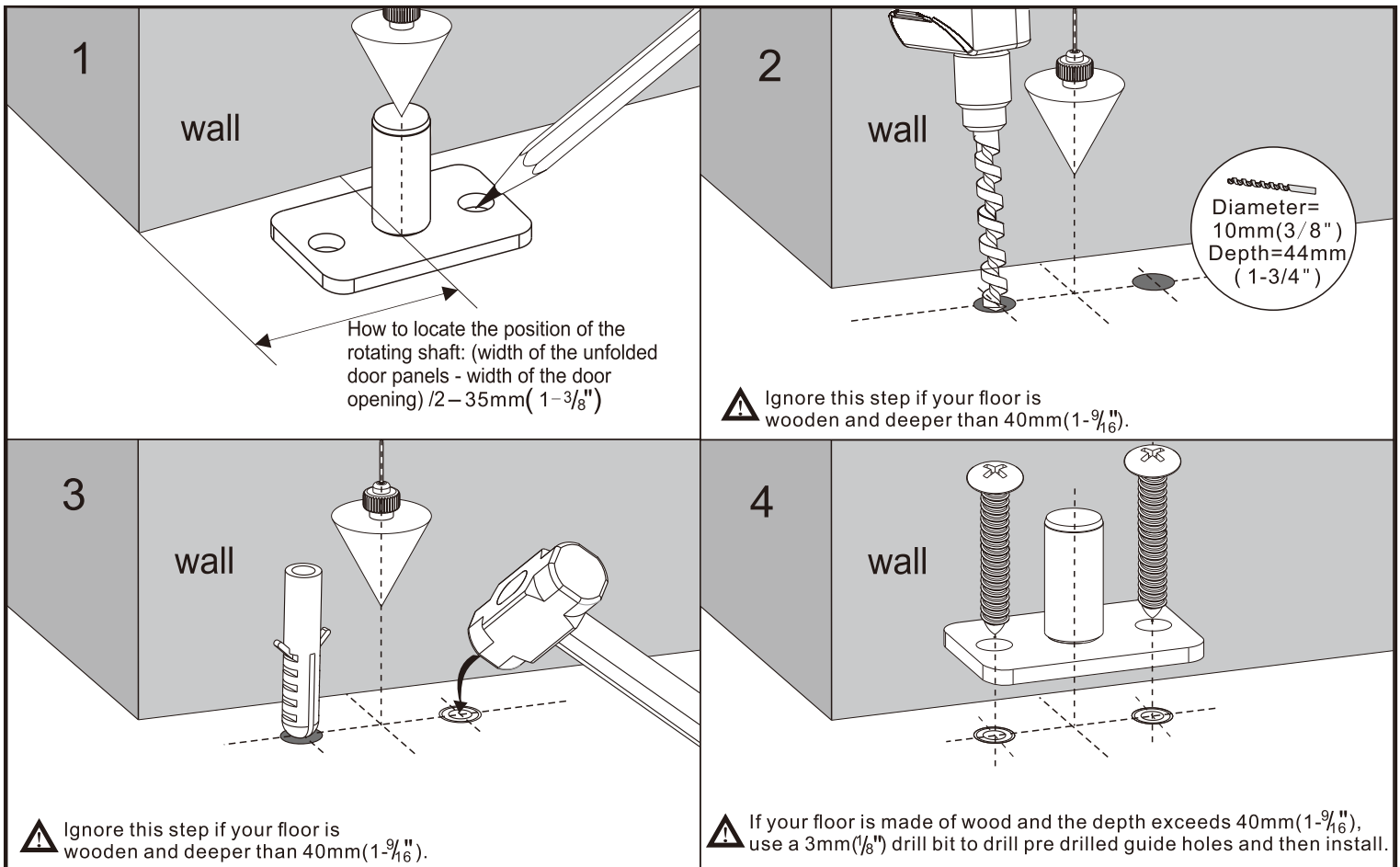


# Step 7 Install the bottom pivot bracket (Floor Guide)

① After unfolding both doors, use a Plumb Bob to determine the installation position of the bottom pivot bracket according to the dimensions indicated.

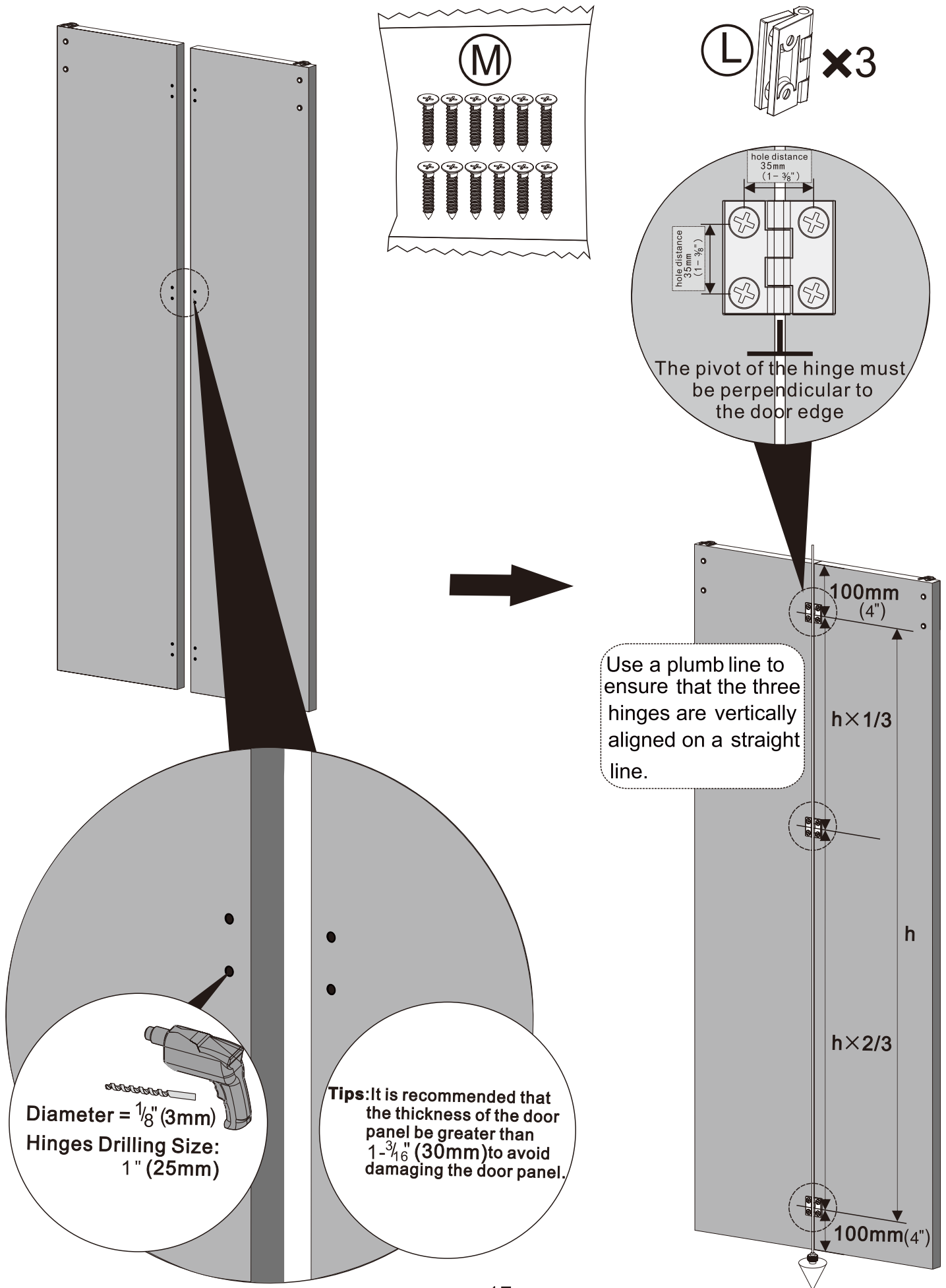


② Prepare the package (K) components for installing the pivot axis.



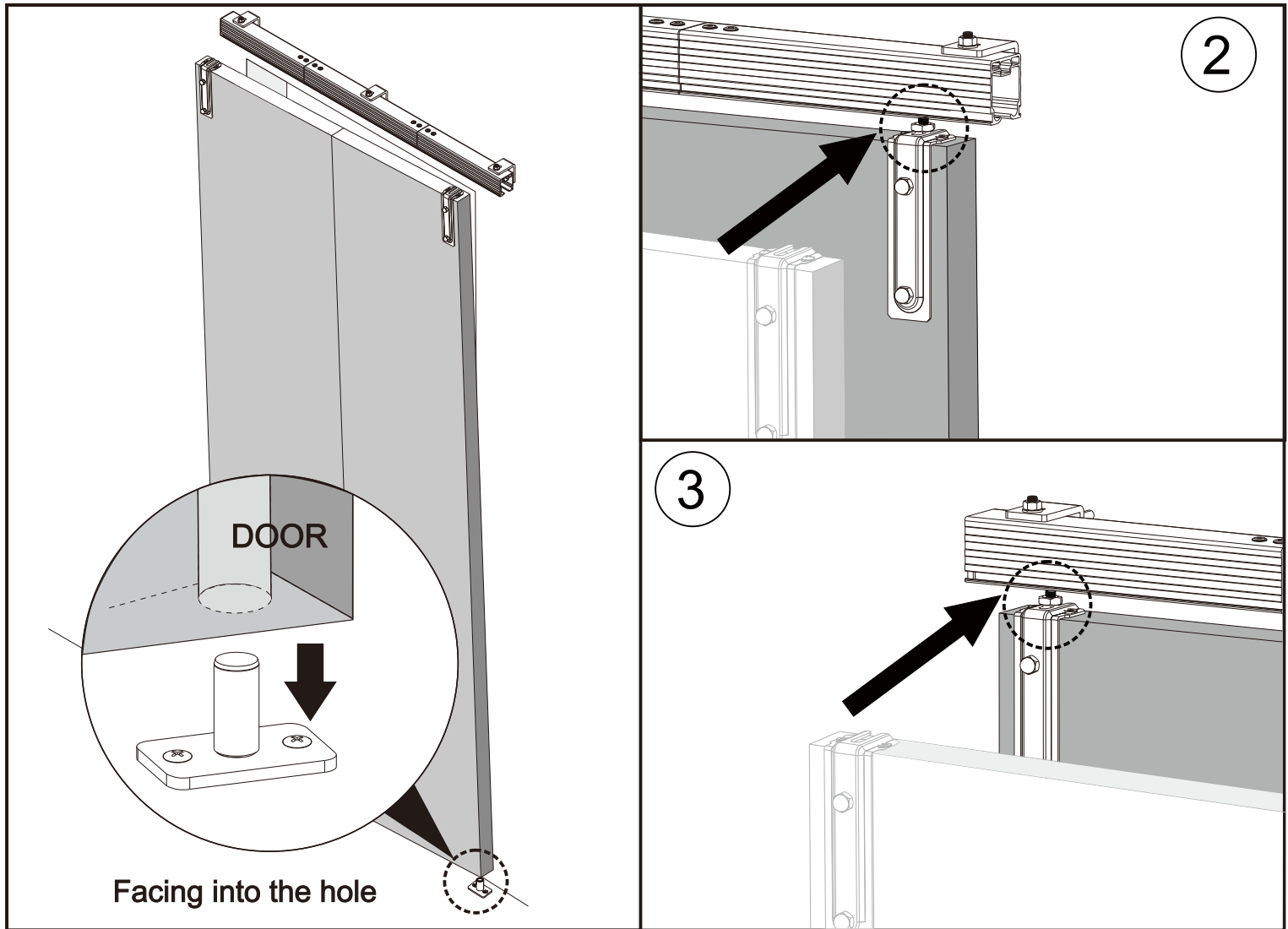
# Step 8 Connect door panels

Note: The hinges should be installed behind the door panels.



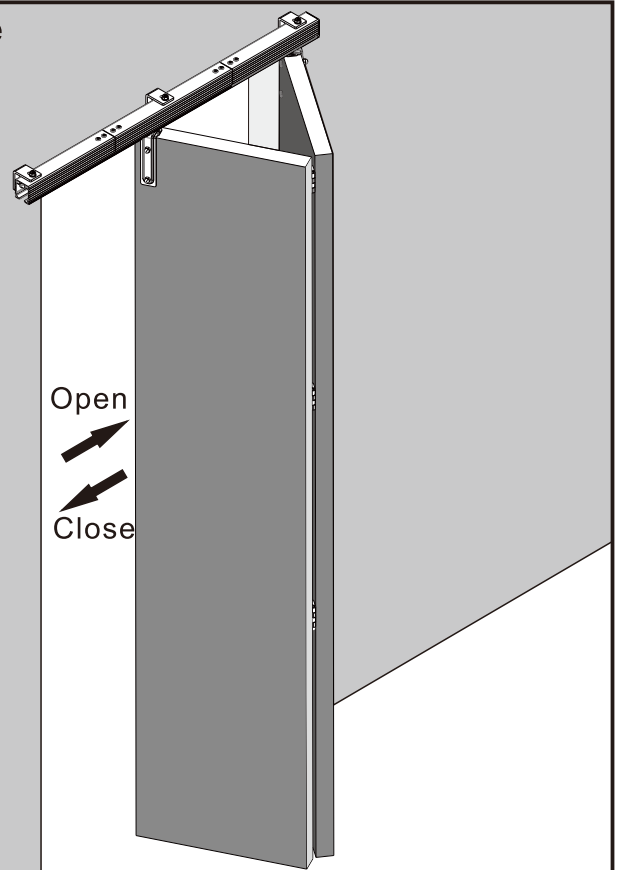
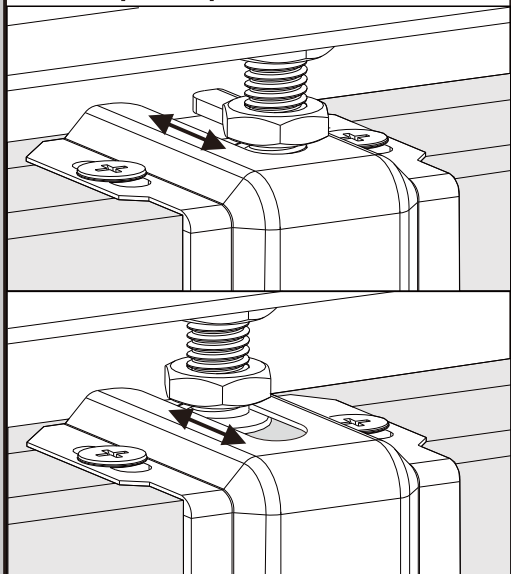
# Step 9 Hang the door panels

① Hang the door panels in the order of the serial numbers in the drawing

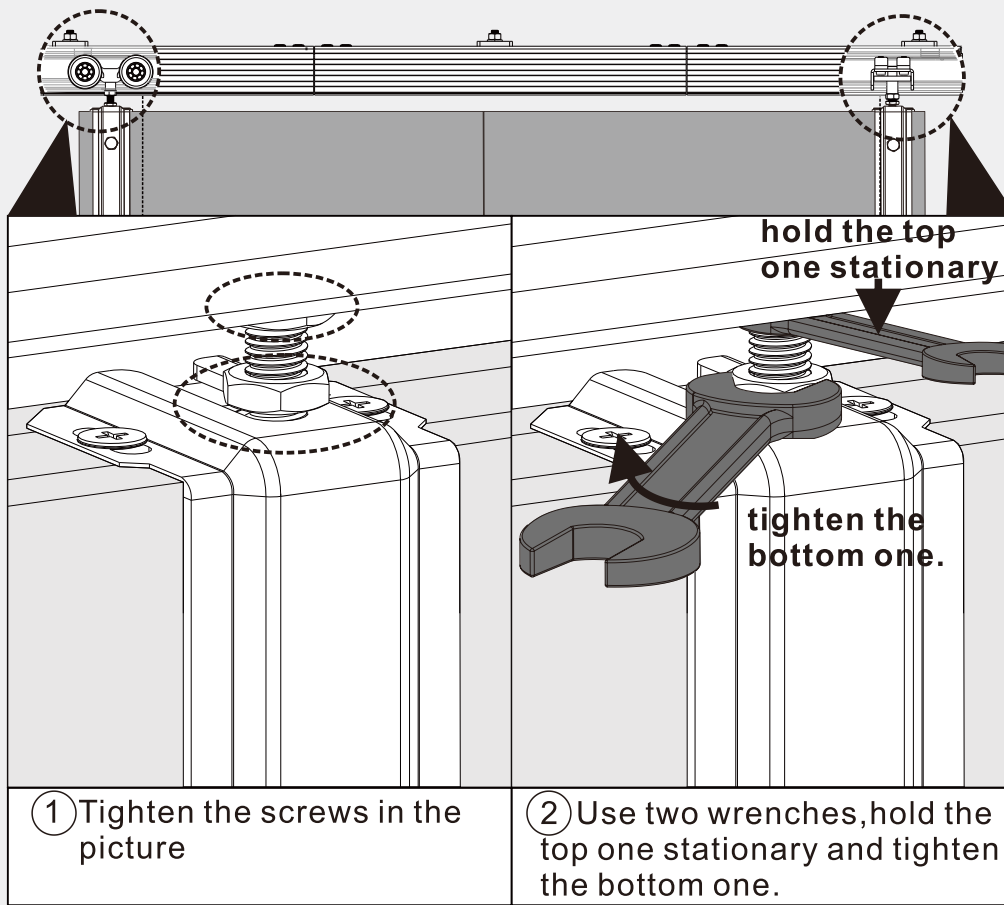


② Fine-tune the position of the door panel to make sure the door opens and closes smoothly and without obstruction.

**Forward and backward fine-tuning of door panel position**



# Step 10 Secure the door panel and tighten the screws



# Step 11 Install the Track End Plug

