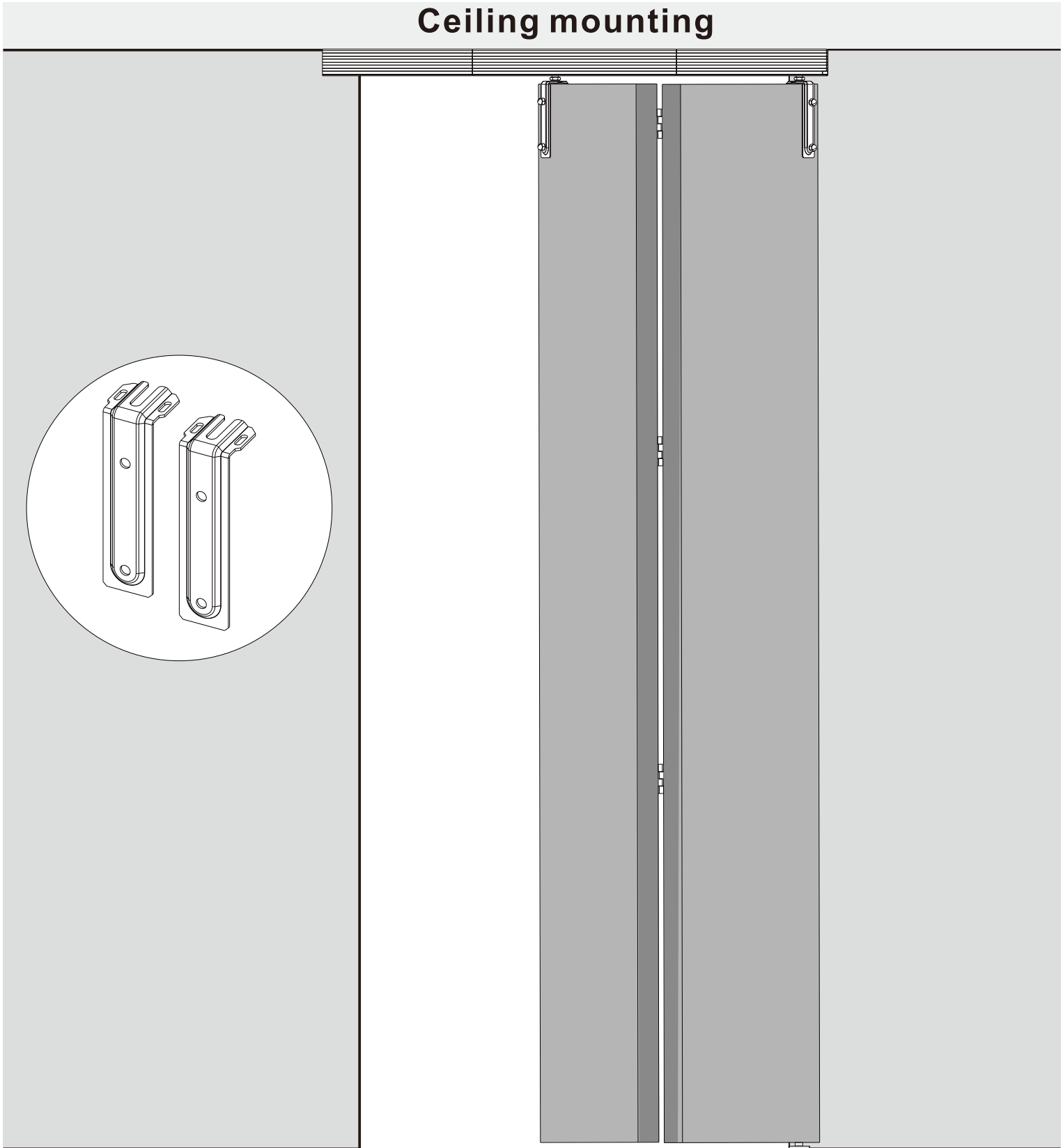


# Installation Guide

## Ceiling mounting



EC

REP

Company: E-CrossStu GmbH  
 Address: Mainzer Landstr.69, 60329 Frankfurt am Main  
 Mail: E-CrossStu@web.de

UK

REP

Company: YH Consulting Limited  
 Address: C/O YH Consulting Limited Office 147, Centurion House,  
 London Road, Staines-upon-Thames, Surrey, TW18 4AX  
 Mail: H2YHUK@gmail.com



FR

CARTON

+

TUBE



# P00SZB-CF

# WARNING and CAUTION !!!

## EN English

Please follow all safety operating procedures during installation. Pay attention to keep this product away from children.

## DE Deutsch

Bitte beachten Sie während der Installation alle Sicherheitsvorschriften. Achten Sie darauf, dieses Produkt von Kindern fernzuhalten.

## FR Français

Pendant l'installation, suivez toutes les procédures d'exploitation de sécurité. Prenez soin de garder ce produit loin des enfants.

## IT Italiano

Si prega di seguire tutte le procedure operative di sicurezza durante l'installazione. Prestare attenzione a tenere questo prodotto lontano dai bambini.

## ES Español

Durante la instalación, siga todos los procedimientos de operación de Seguridad. Preste atención a mantener este producto alejado de los niños.

## NL Nederlands

Volg alle veiligheidsprocedures tijdens de installatie. Let op om dit product uit de buurt van kinderen te houden.

## PL Polski

Podczas instalacji należy przestrzegać wszystkich procedur bezpieczeństwa. Zwróć uwagę, aby trzymać ten produkt z dala od dzieci.

## CZ Čeština

Během instalace dodržujte všechny bezpečnostní provozní postupy. Věnujte pozornost tomu, aby tento výrobek udržel dál od dětí.

## SE Svenska

Följ alla säkerhetsrutiner under installationen. Var uppmärksam på att hålla denna produkt borta från barn.

## TR Türkçe

Lütfen kurulu sırasında tüm güvenlik işleme prosedürlerini takip edin. Bu ürünü çocuklardan uzak tutmak için dikkat et.

# Please Read Carefully



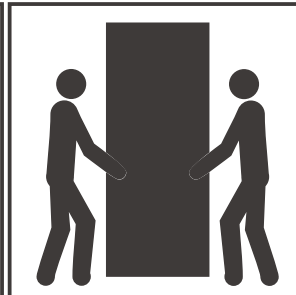
Read all instructions carefully



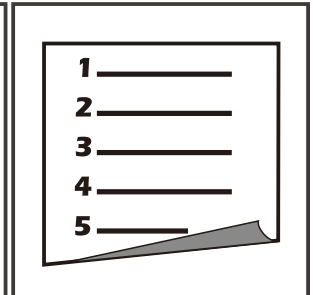
Protect your eyes by wearing safety goggles



Keep the installation area free of clutter



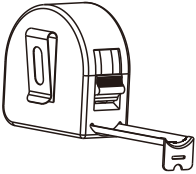



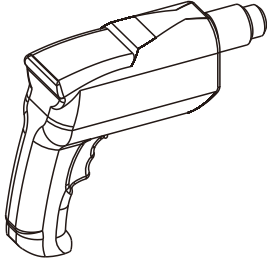

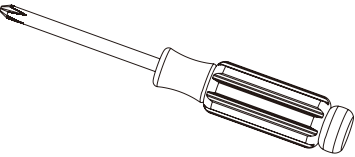
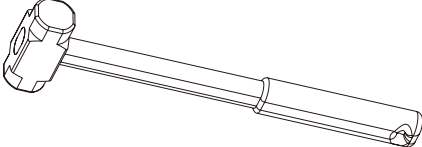
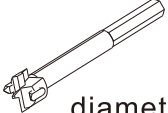
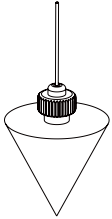
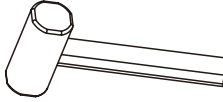
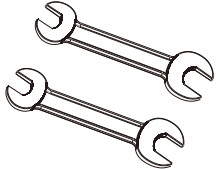
We recommend two people for certain parts of the installation



Follow each step completely before starting the next step

## Tools Needed(Prepared by Yourself)

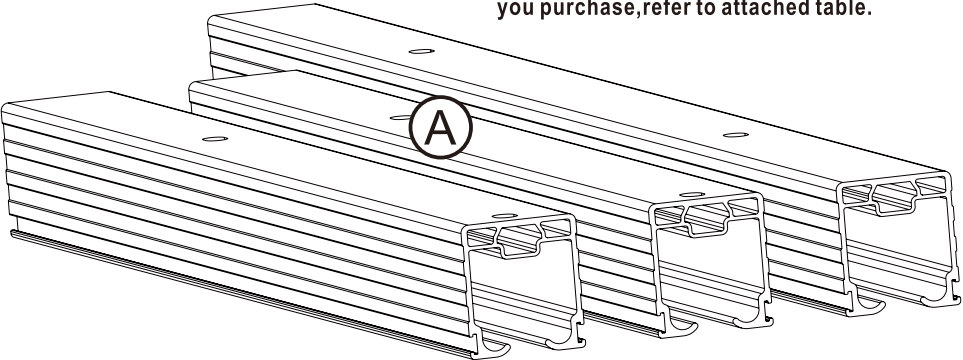
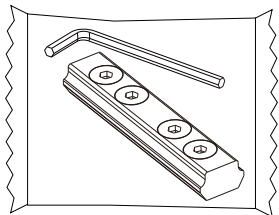
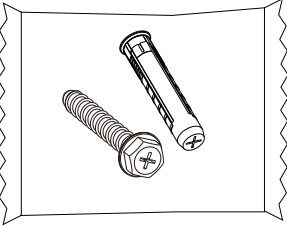
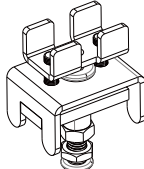
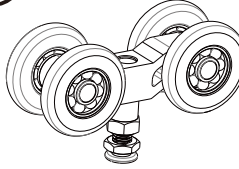
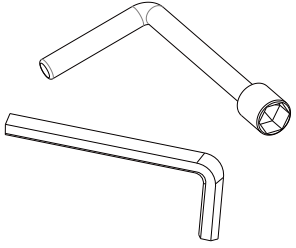
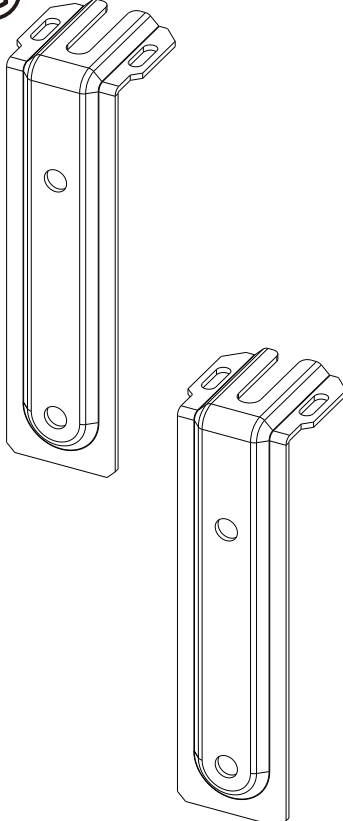
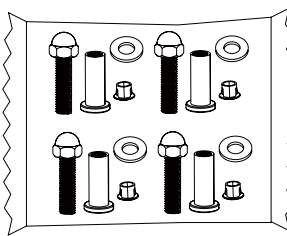
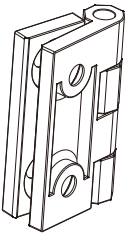
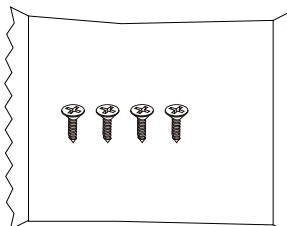
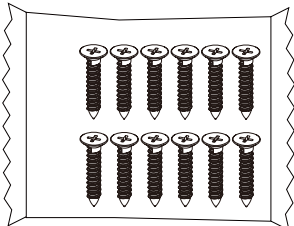
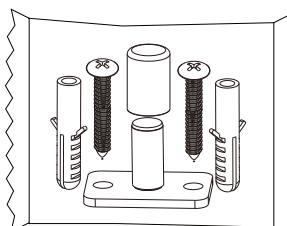
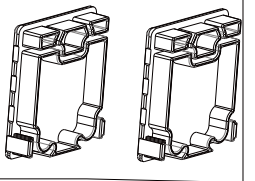
Please have all of the above tools available before installation so that installation will be easier.

<p><b>Tape measure</b></p> 	<p><b>levelling instrument</b></p> 	<p><b>Stud Finder</b></p> 
<p><b>Marking tools</b></p> 	<p><b>Electric drill</b></p> 	<p><b>Drill bits</b></p>  <p>14mm(<math>\frac{9}{16}</math>" )            11mm(<math>\frac{7}{16}</math>" )            10mm(<math>\frac{3}{8}</math>" )            6mm(<math>\frac{1}{4}</math>" )            3mm(<math>\frac{1}{8}</math>" )</p>
<p><b>Phillips screwdriver</b></p> 	<p><b>Hammer</b></p> 	<p><b>Hole Saw</b></p>  <p>diameter 15mm(<math>\frac{19}{32}</math>" )</p>
<p><b>Plumb Bob</b></p> 	<p><b>Rubber Hammer</b></p> 	<p><b>Combination Wrench</b></p>  <p><b>Two #13 wrenches.</b></p>

# IMPORTANT!

Check whether all the parts are complete after receiving the goods, if there are missing or damaged, please do not return the goods, contact your customer service, we will provide you with free replacement.

## Packaging List

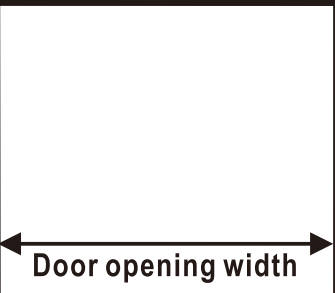
 <p>The number of this part depends on the size you purchase, refer to attached table.</p>		 <p>The number of this part depends on the size you purchase, refer to attached table.</p>	
 <p>The number of this part depends on the size you purchase, refer to attached table.</p>			
	 <p><b>x1</b></p>	 <p><b>x3</b></p>	
	 <p><b>x1</b></p>	 <p><b>x1</b></p>	
	 <p><b>x1</b></p>	 <p><b>x1</b></p>	

# Tips: Required Dimensions

## WARNING:

Do not install this product on a shed roof that cannot be load-bearing! (Load capacity needs to be >150kg/330lbs)

### Track Fits Max. Door Opening

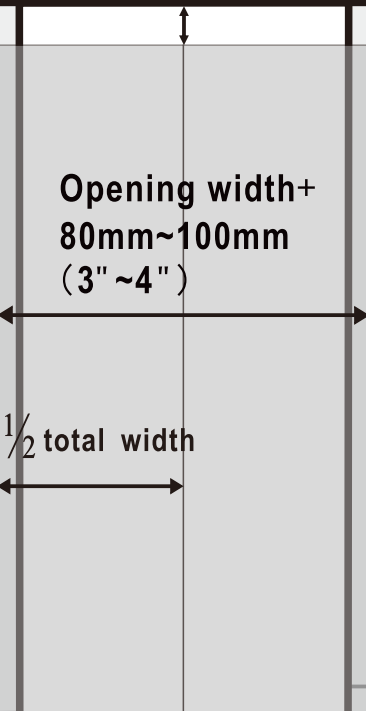


Track lengths and applicable door opening widths  
There is an error of about 3mm( $\frac{1}{8}$ " ) in size

Track length	Max opening width
3FT\918mm	31inch\790mm
3.3FT\1018mm	35inch\890mm
4FT\1222mm	43inch\1090mm
5FT\1524mm	55inch\1395mm
6FT\1830mm	67inch\1700mm
6.6FT\2000mm	73inch\1860mm

### Track Fits Door Panel Size

Height of roof minus 84mm( $3\frac{5}{16}$ " )



← **Door Panel Height:**  
Height of roof minus 84mm  
(top edge of door to ceiling 74mm\3",  
bottom of door to floor 10mm\  $\frac{3}{8}$ " )

← **Door Panel Total Width:**  
Door Opening Width +80-100mm(3-4").

**Door Panel Thickness:**25-48mm( $1\sim 1\frac{7}{8}$ " ).


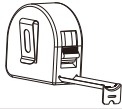


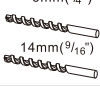


**Door Panel Weight :**Max150kg (330lbs)

# Before You Begin

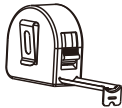





## 1 Pick Your Wall

Check your shed roof construction before installing. Different constructions require different tools

### Tools for Wooden Shed Roof Architecture (drilling steps on page 7-8)

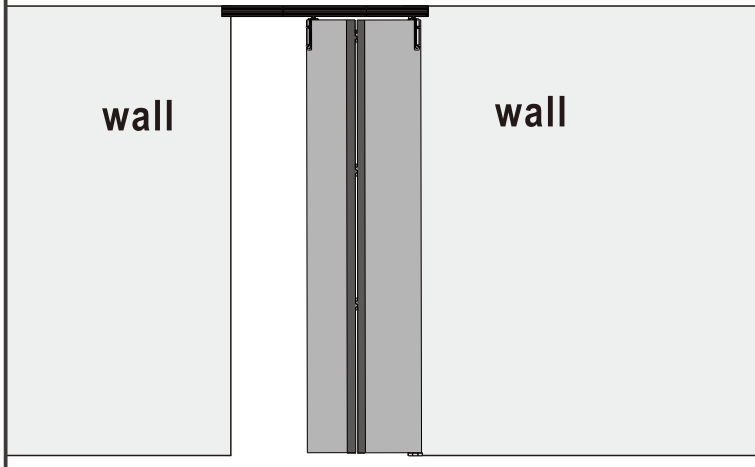
Tools					Parts	
Stud Finder 	Tape measure 	Marking tools 	Electric drill 	Drill bits 3mm (1/8") 6mm (1/4") 14mm (9/16") 	Phillips screwdriver 	Parts © 

### Tools for cement/concrete shed roofs (drilling steps on pages 9-10)

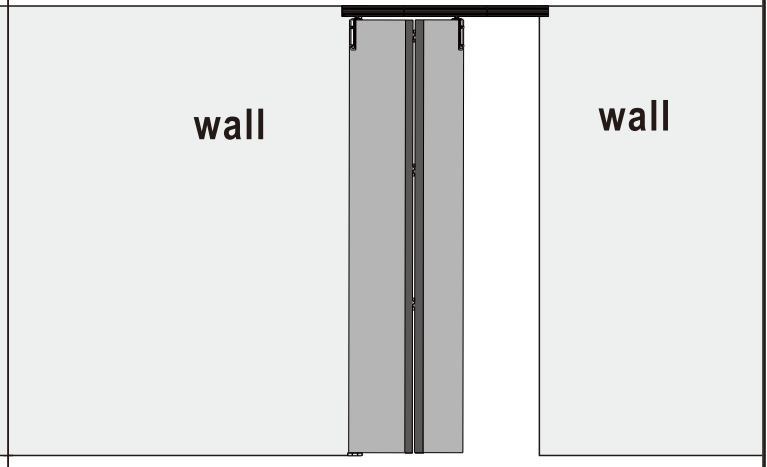
Tools					Parts
Tape measure 	Marking tools 	Electric drill 	Drill bits 11mm (7/16") 	Phillips screwdriver 	Parts © 

## 2 Pick Your Door Opening Location

Open the door to the right



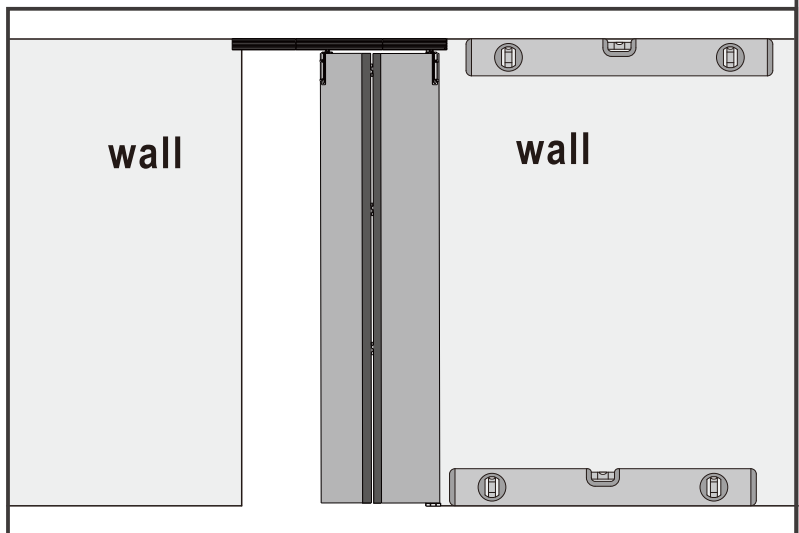
Open the door to the left



## 3 Check for level floor and level ceiling

### IMPORTANT!

- ★ To ensure that the door opens and closes properly, use a level to check that the floor and ceiling are level before installing and measuring.
- ★ Tracks that are not level can cause sliding doors to jam, or door panels to slide sideways

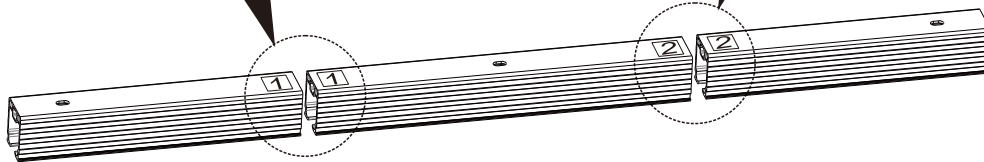
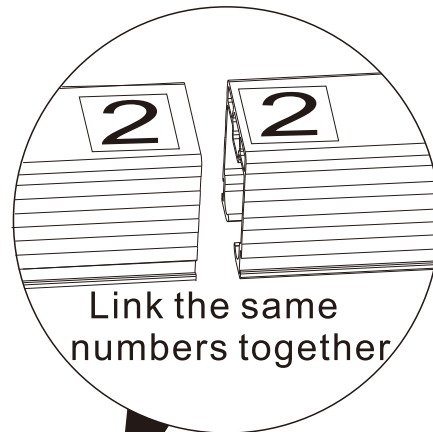
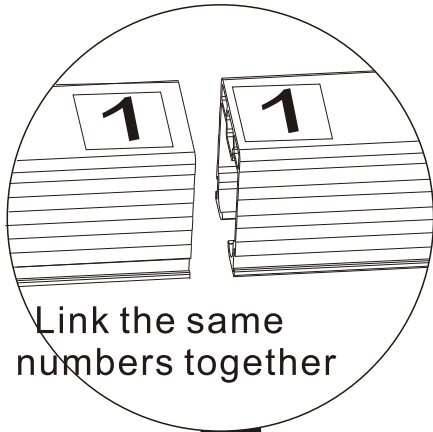


# Step1 Splicing Track

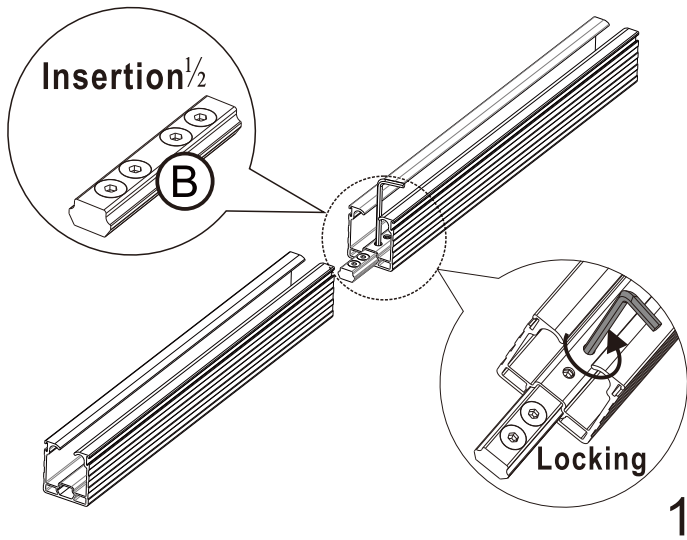
## ① Arrange tracks by serial number



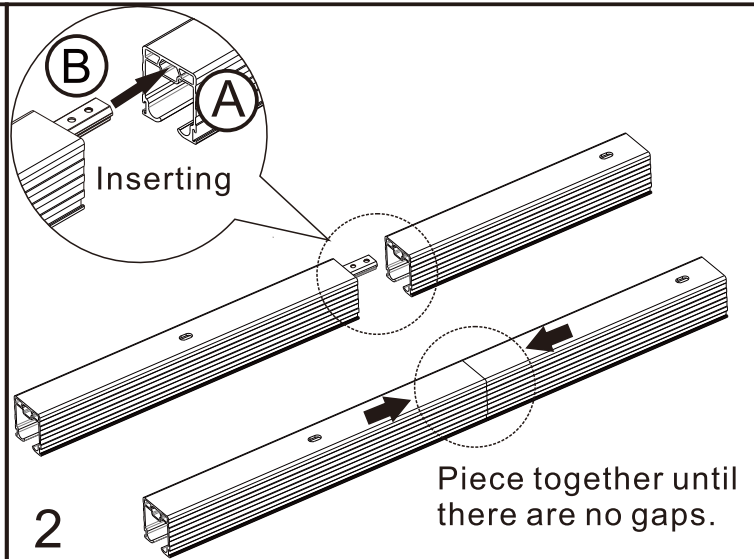
Wrong track orientation will not align the splice



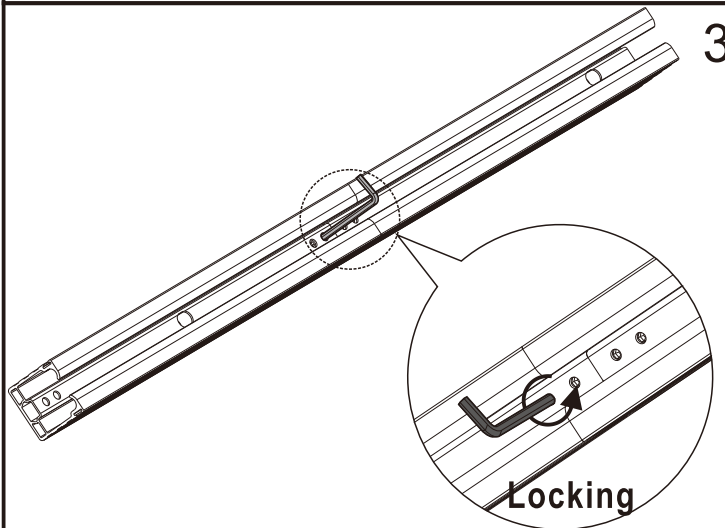
## ② Connecting Segment Tracks



1



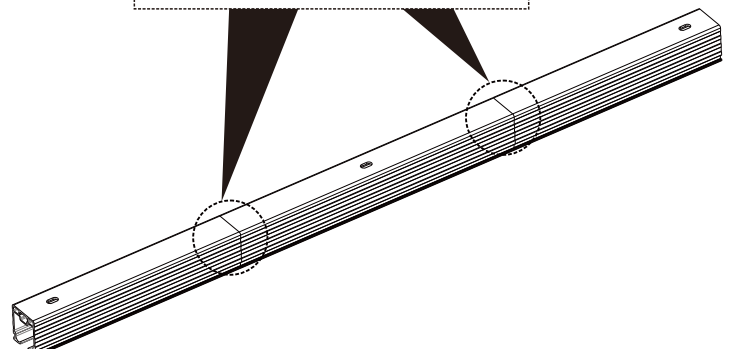
2



3

4

The other linked parts of the rail are installed in the same way

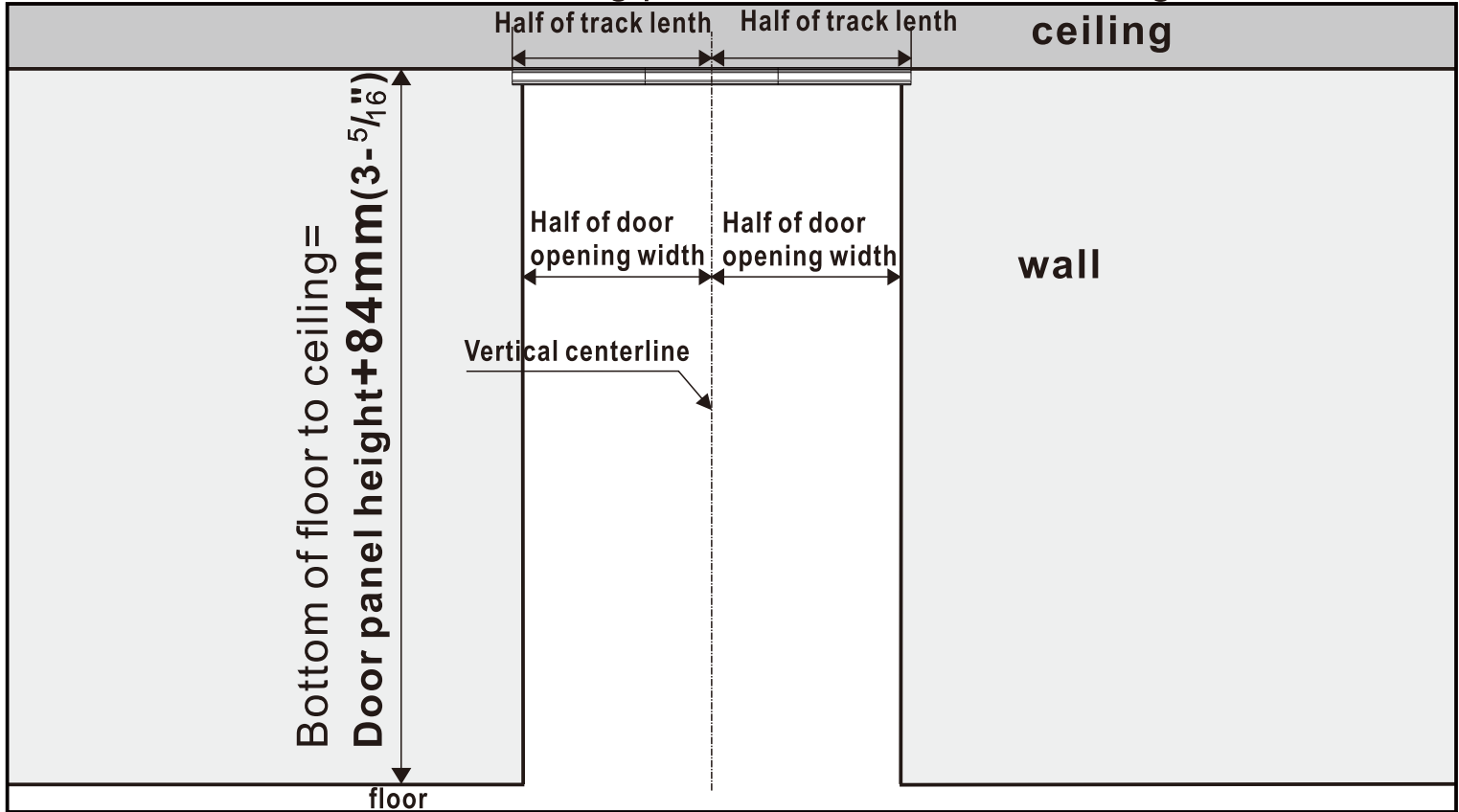




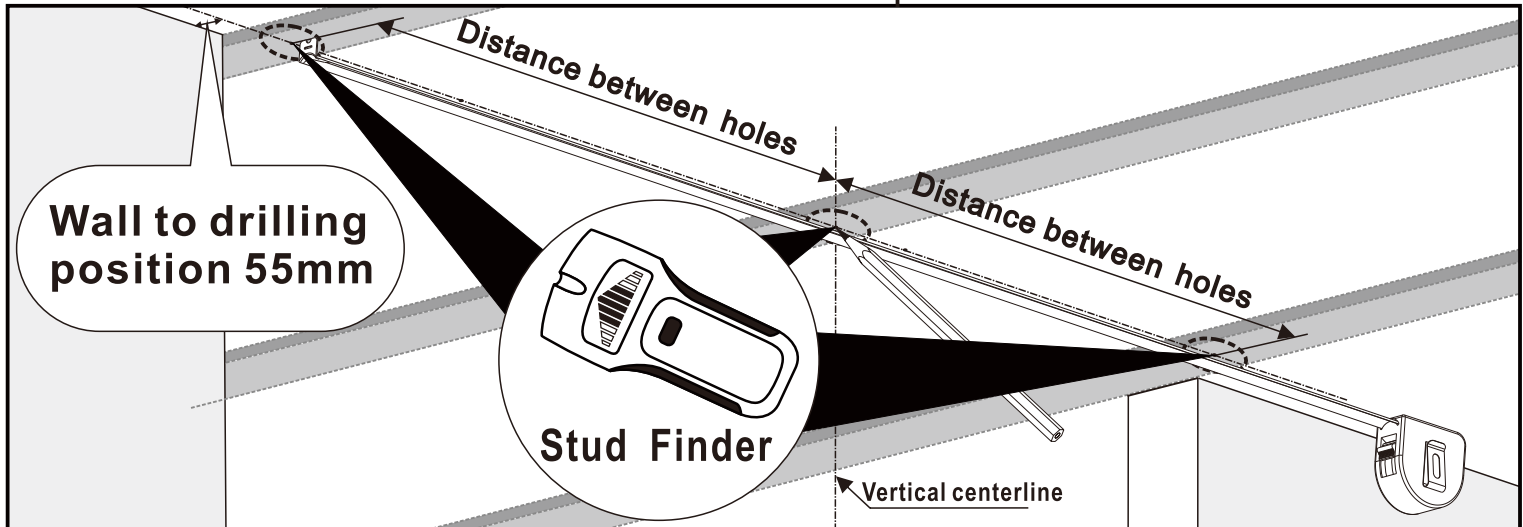
**Step 2: Drill holes in the ceiling. (For wood ceilings, see P7-P8; for concrete or cement ceilings, see P9-P10.)**

## Drilling on wood ceilings

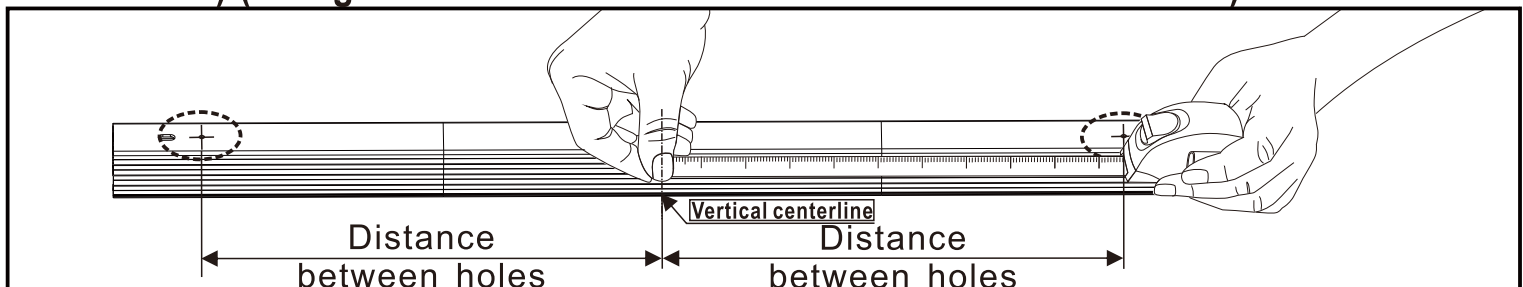
① Determine the track mounting position as shown in the figure below.



② Finding and marking the location of the load bearing, using a stud finder device. Measure the hole distance with a tape measure.



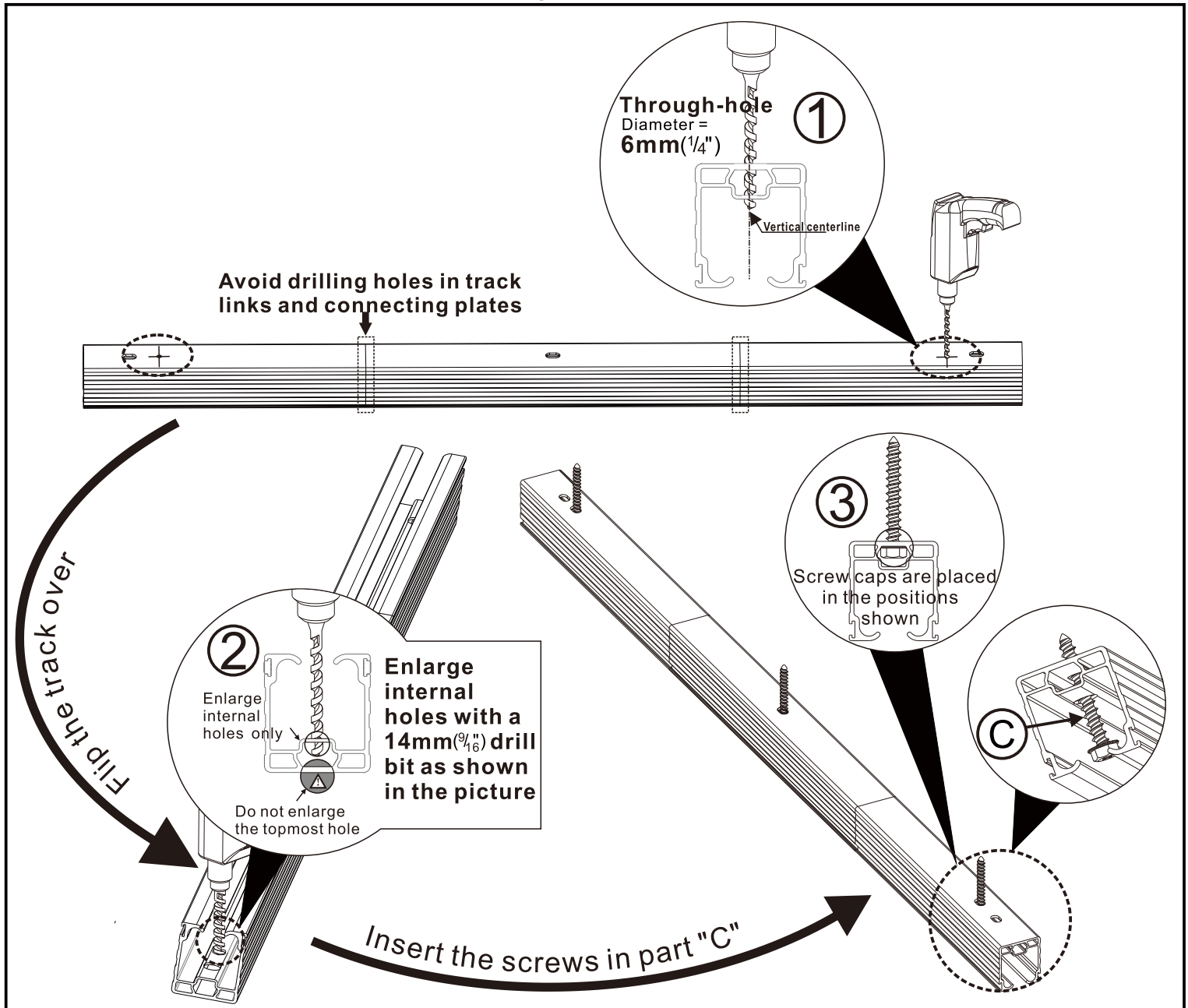
③ Mark the hole spacing on the track according to the measured distance (if the marked position is not a pre-drilled position, it is necessary to re-drill the holes in the track) (along the vertical centerline of the track to the outside)



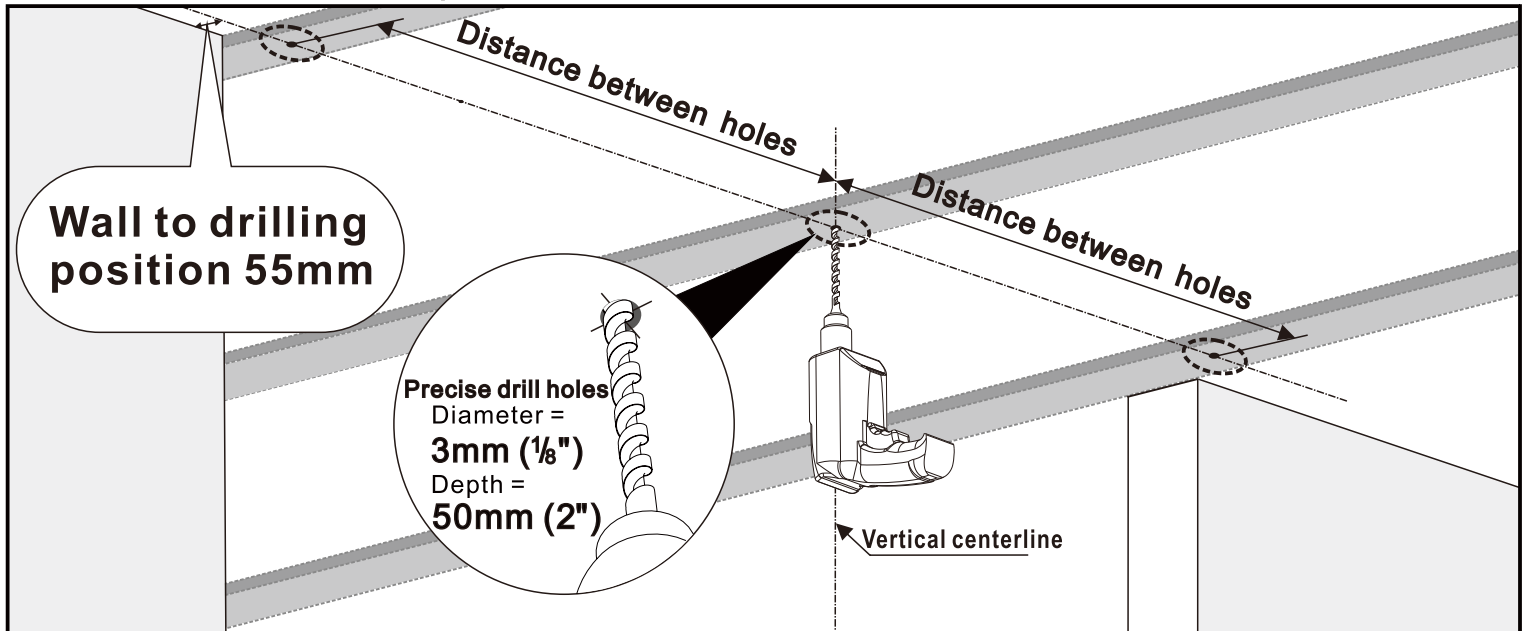


# Drilling on wood ceilings

④ Drill holes in the track according to the marked positions

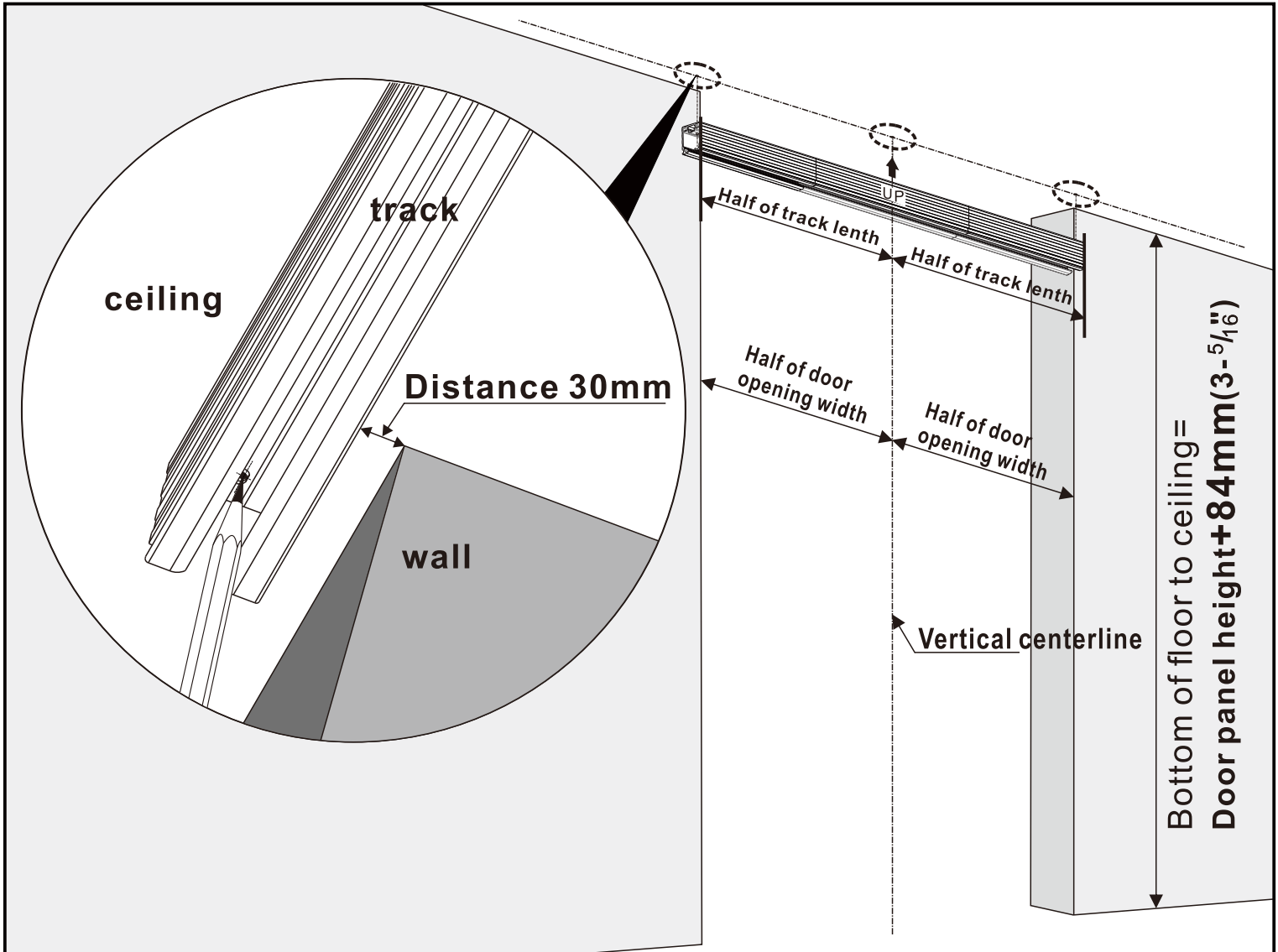


⑤ Drill 50mm (2") deep holes in the roof with a 3mm (1/8") diameter drill bit.



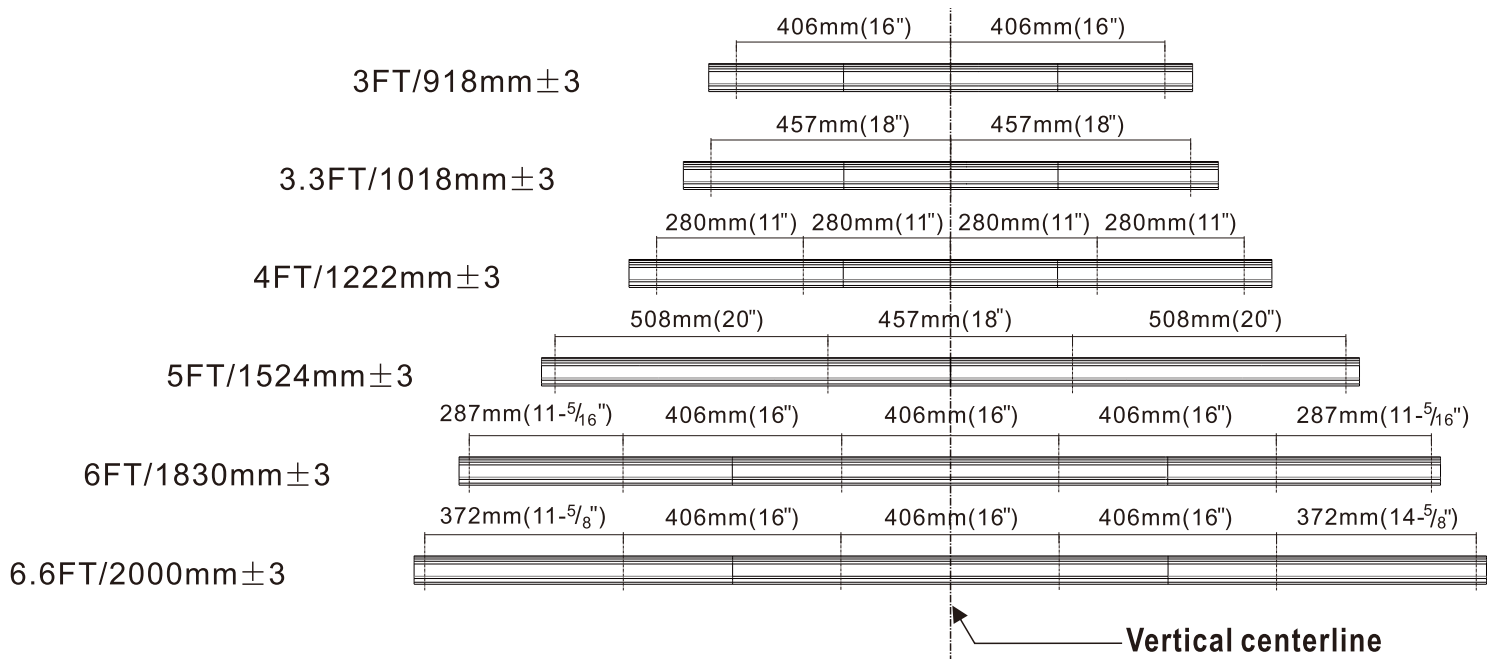
# Drilling on concrete or cement ceilings

① Raise the track, align the vertical centerline, and mark the location of the drilled holes on the ceiling.



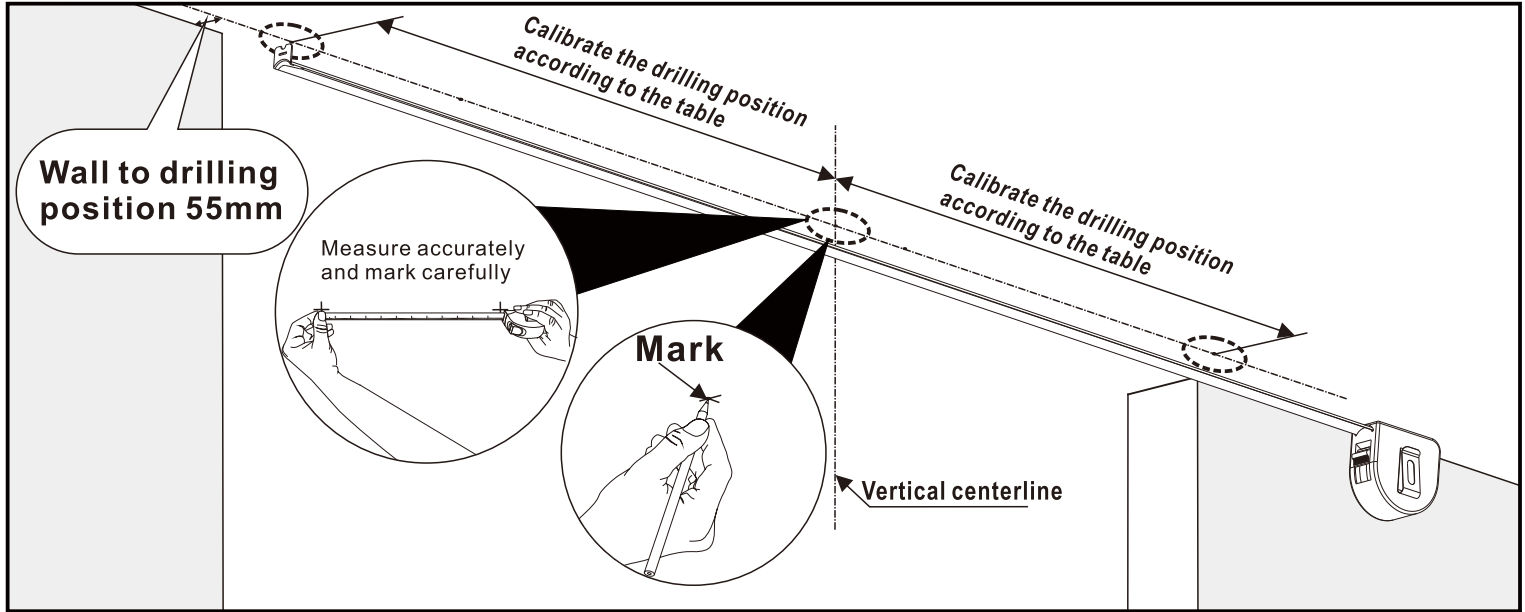
② Calibrate your drill locations

Hole distance for different lengths of box rail (there is an error of about 3mm (1/8") in size):

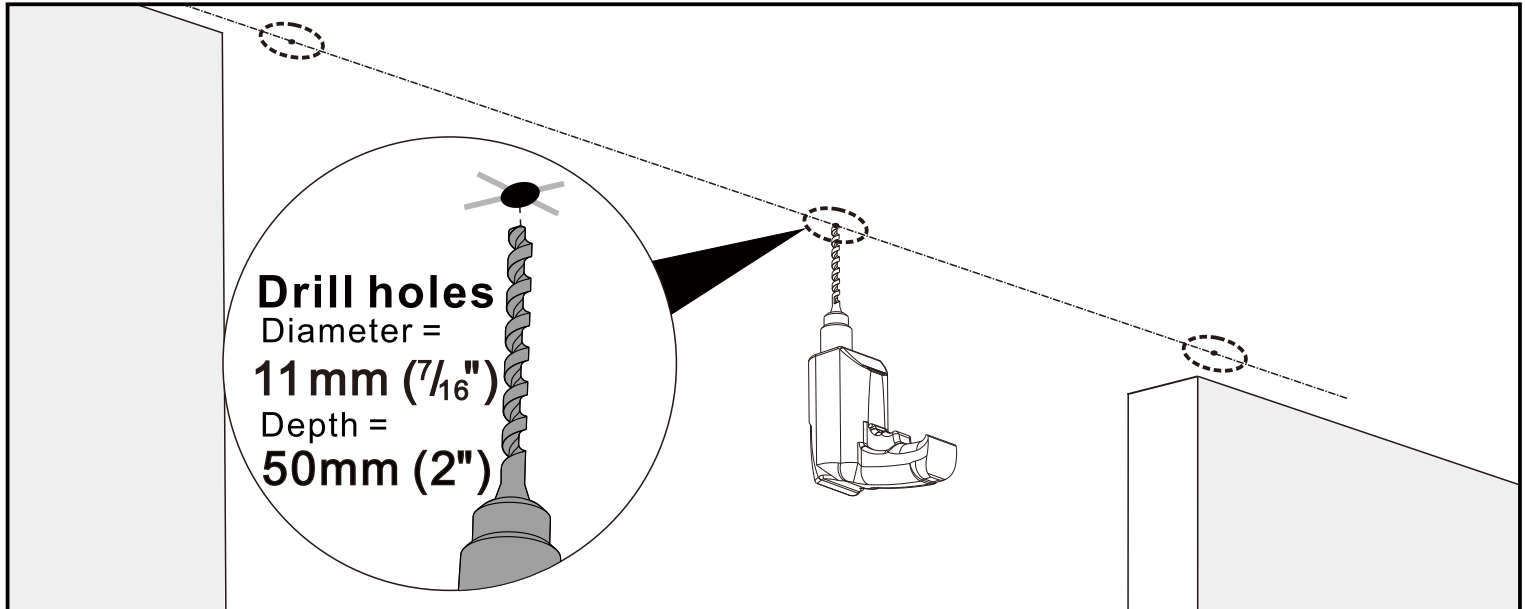


# Drilling on concrete or cement ceilings

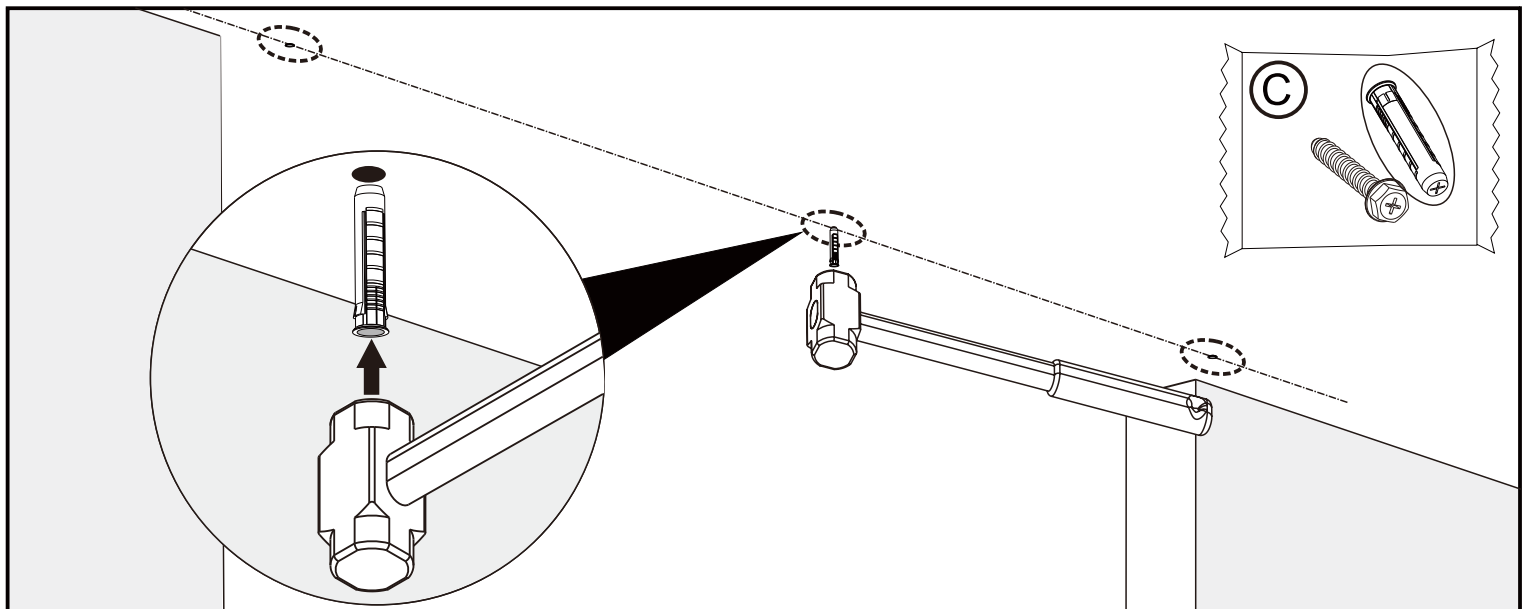
③ Measure accurately and mark carefully



④ Drill 50mm (2") deep holes in the roof with a 11mm ( $\frac{7}{16}$ " ) diameter drill bit

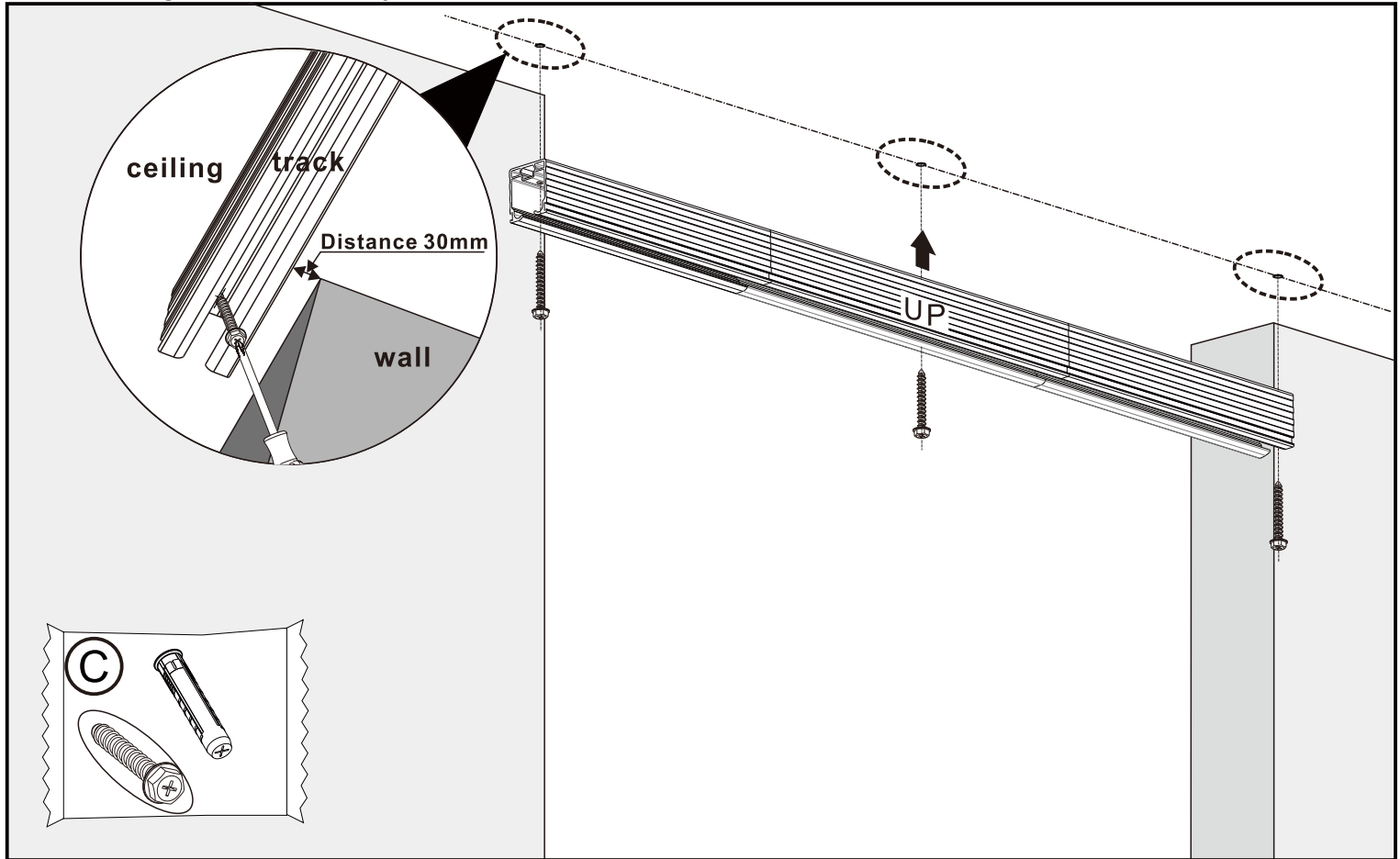


⑤ Hammer the part ③ into the hole

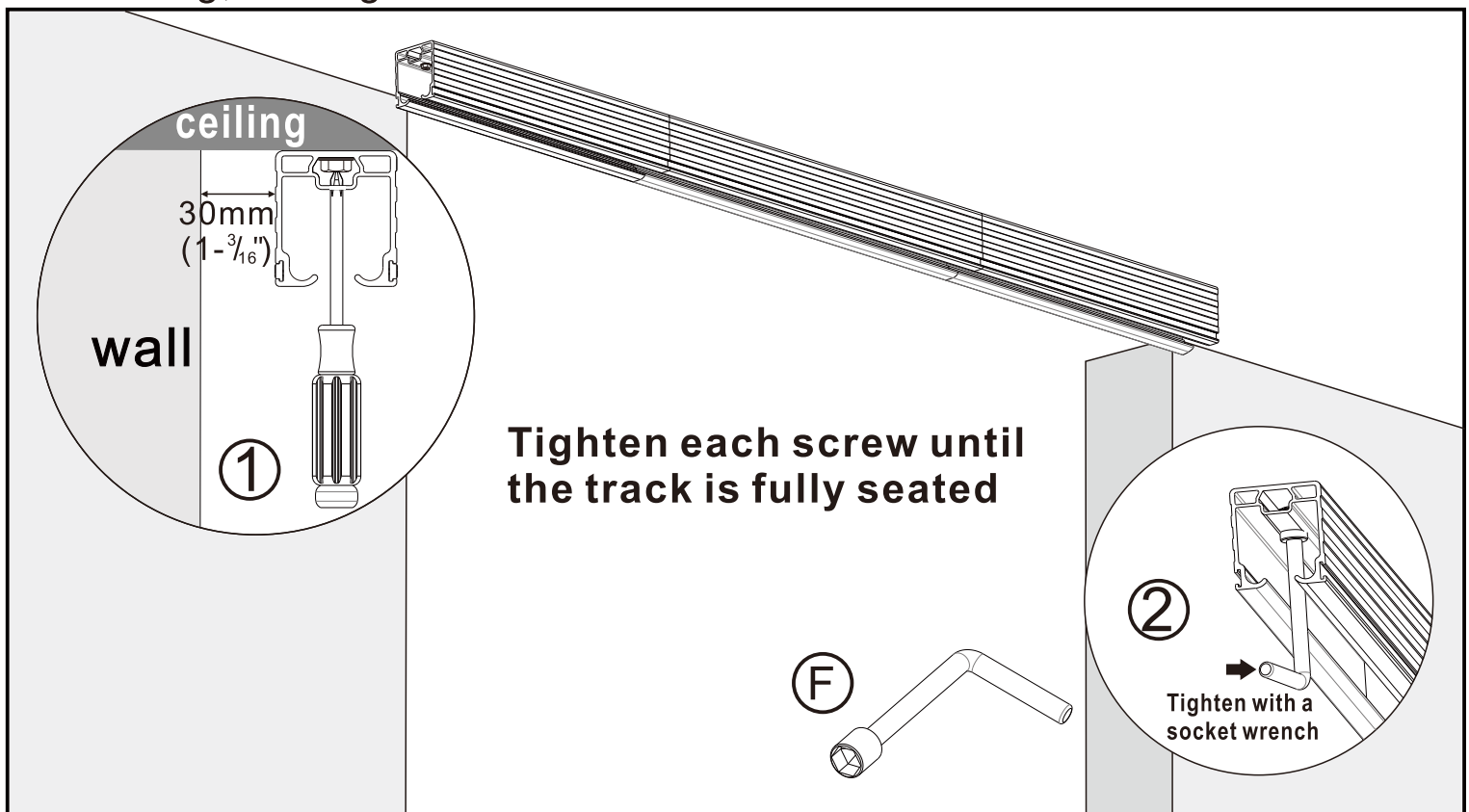


# Step 3 Installation of tracks on the ceiling (Preferably done by 2 people )

① Place the screws in part ③ in the positions shown in the figure, do not tighten them yet.

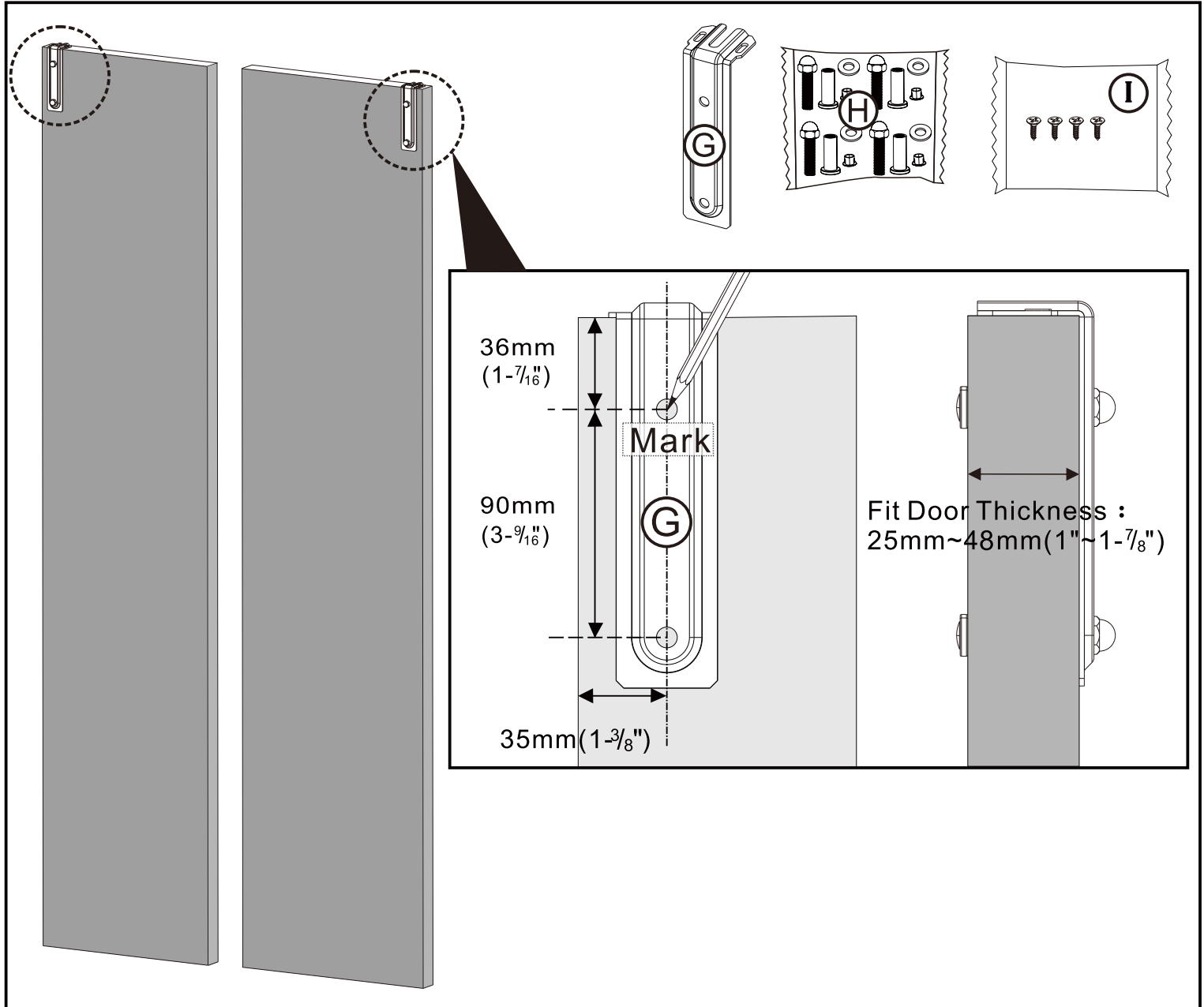


② Adjust the track position until the top edge of the track is tight against the ceiling, then tighten the screws.

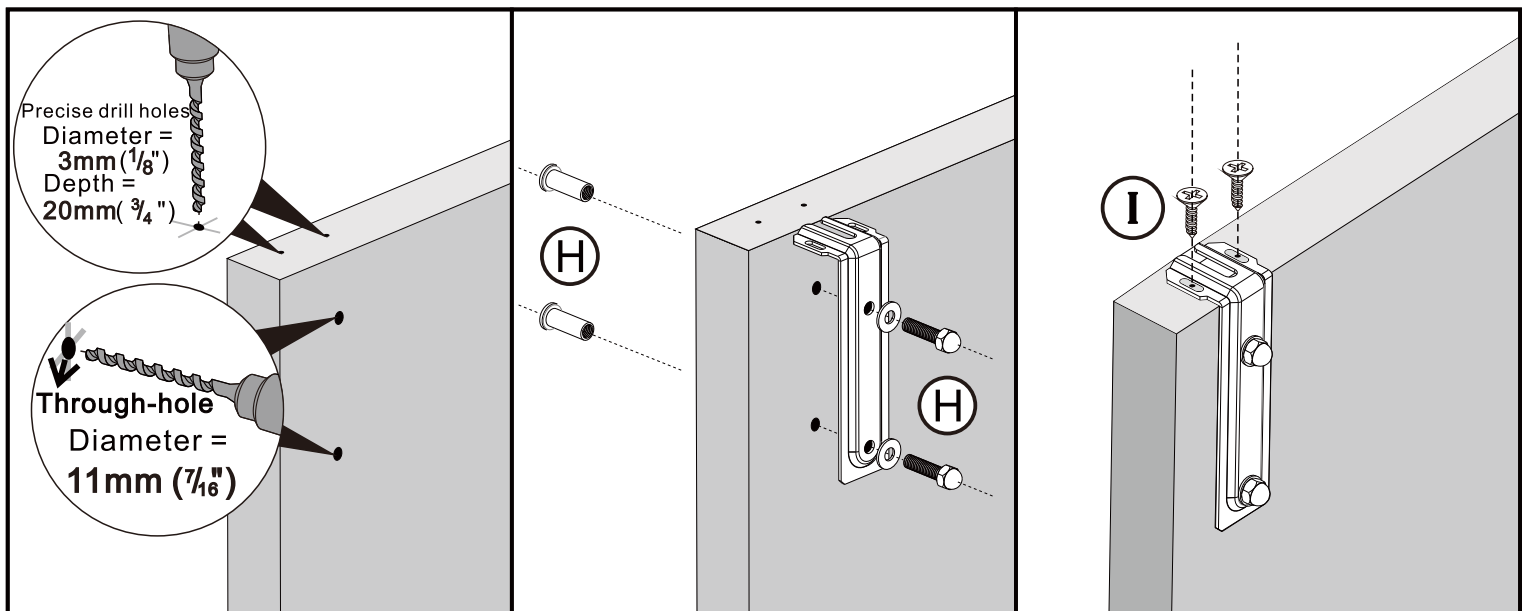


# Step 4 Install hanger

① Mark the holes to the front of door according to the dimensions indicated

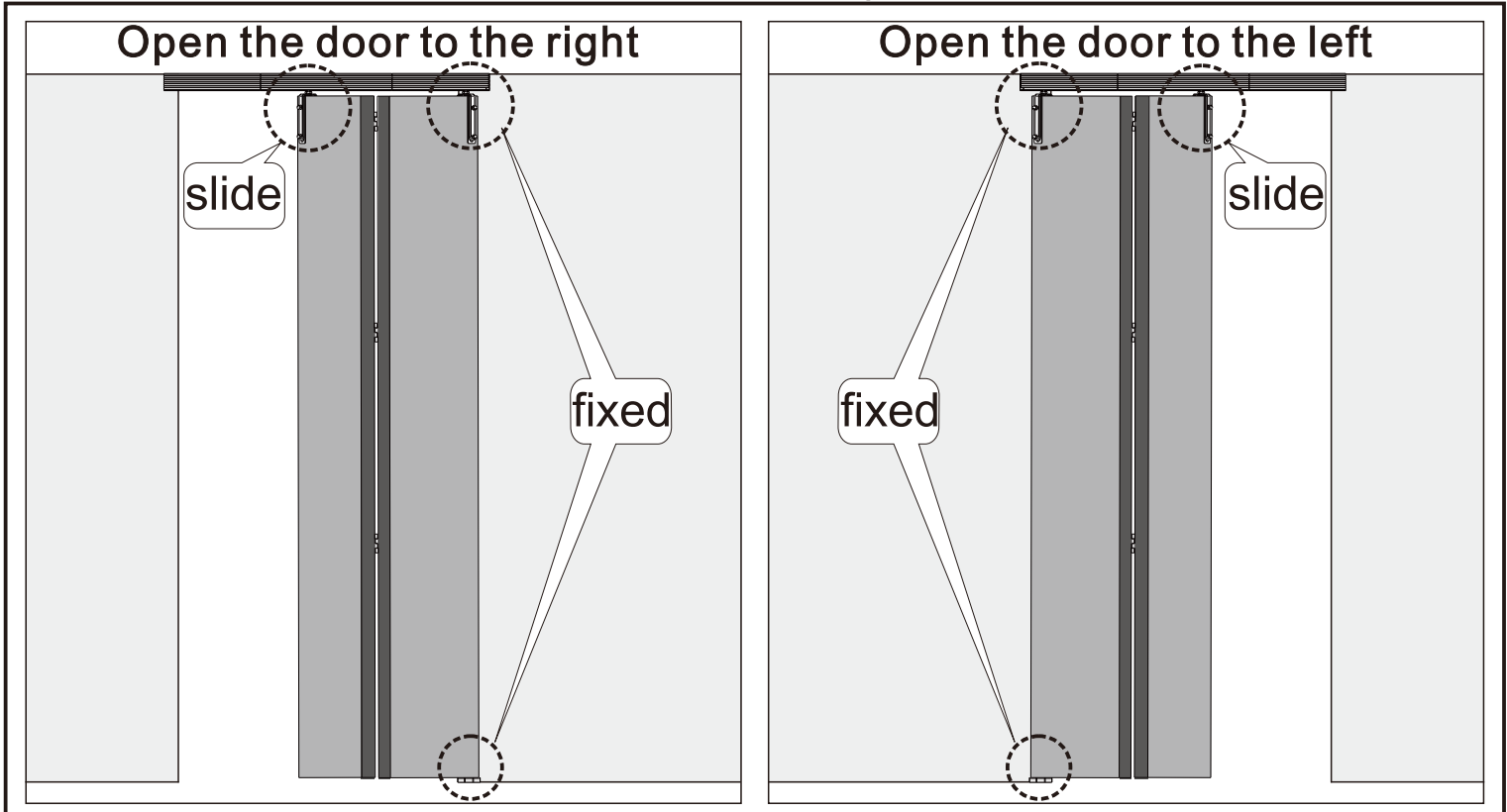


② Install the hanger as shown

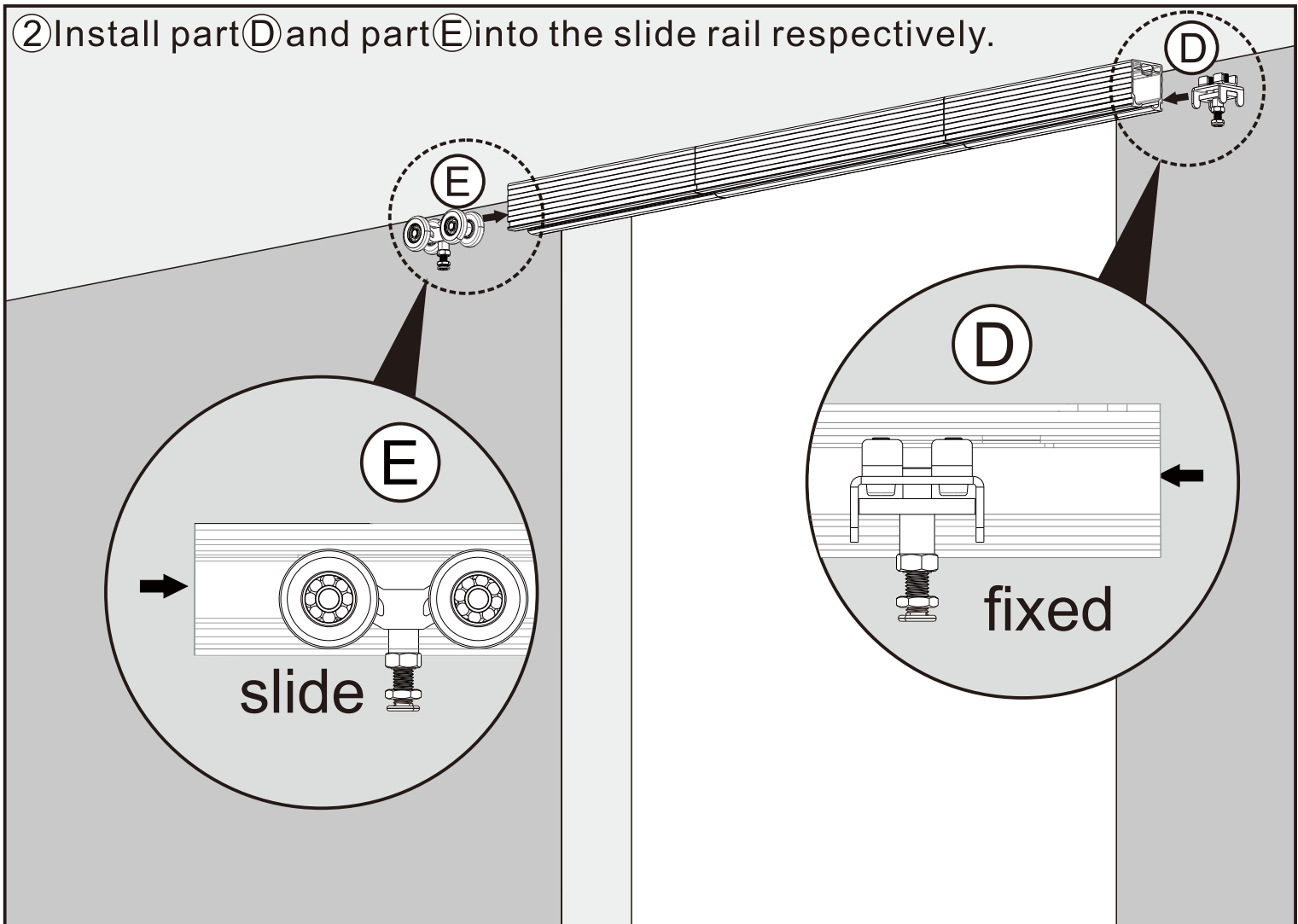


# Step 5 Determine the door opening direction

① Determine the direction the doors will open.

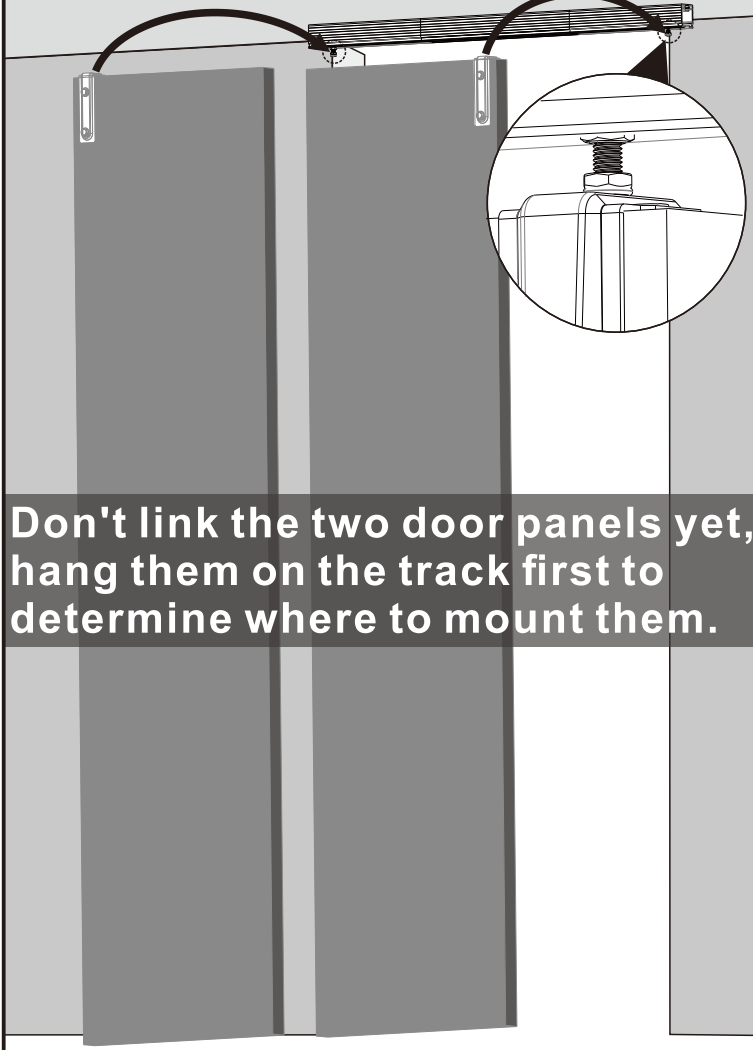


② Install part **D** and part **E** into the slide rail respectively.



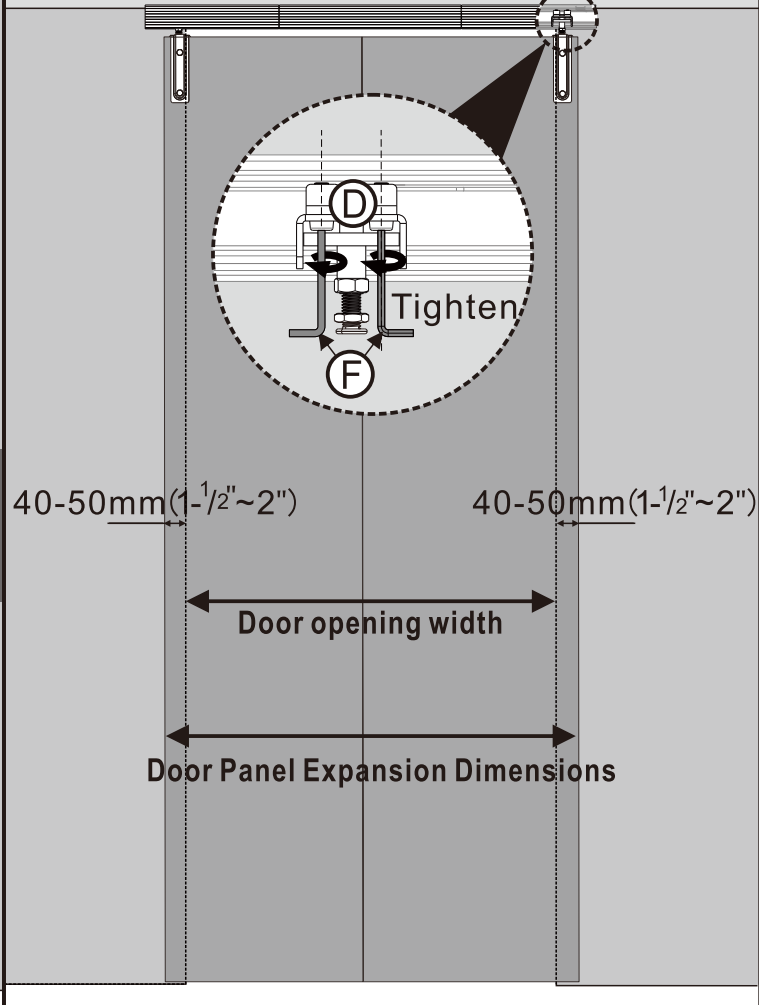
# Step 6 Determine door panel mounting position (Preferably done by 2 people )

① Pre-installed door panels

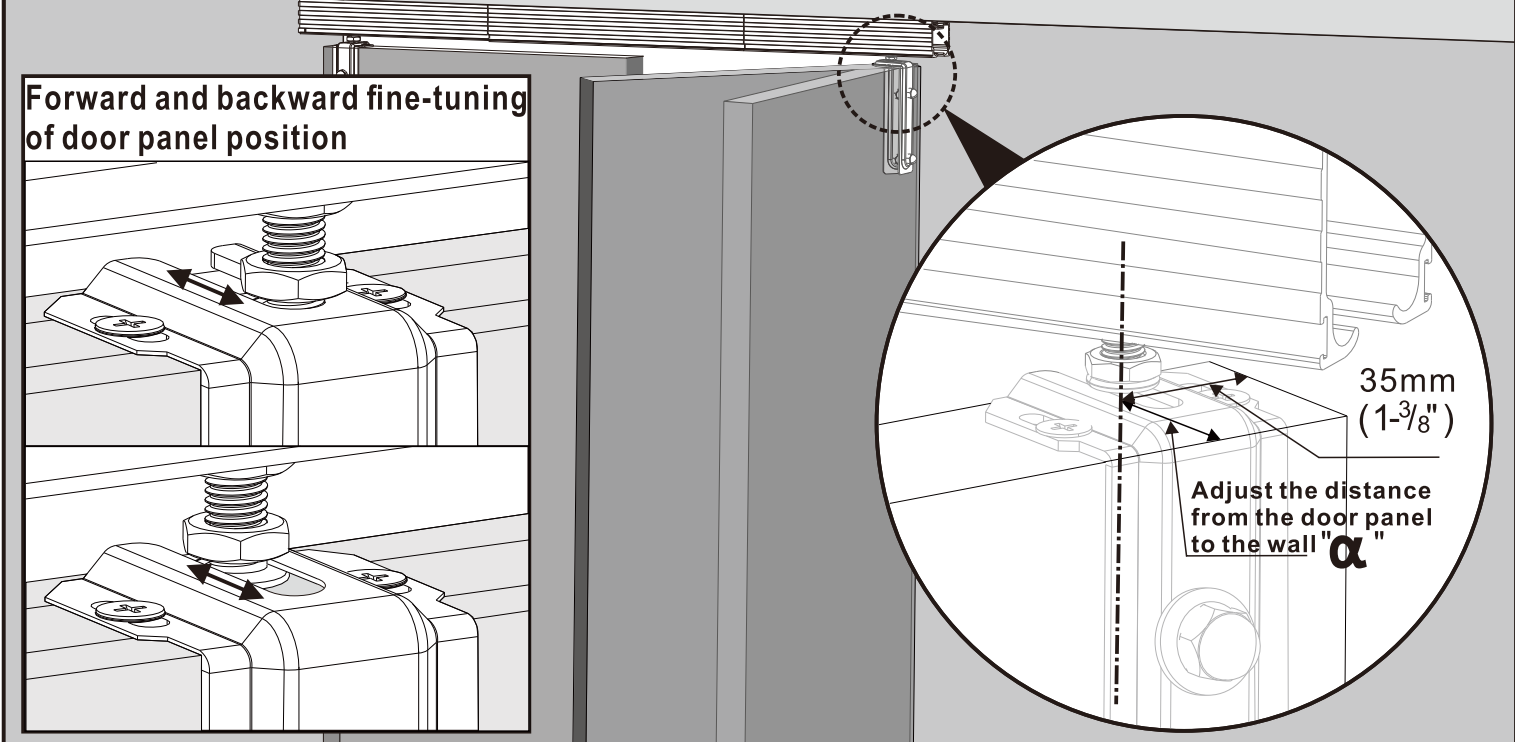


**Don't link the two door panels yet, hang them on the track first to determine where to mount them.**

② Confirm the mounting position of part "D" as shown in the figure.



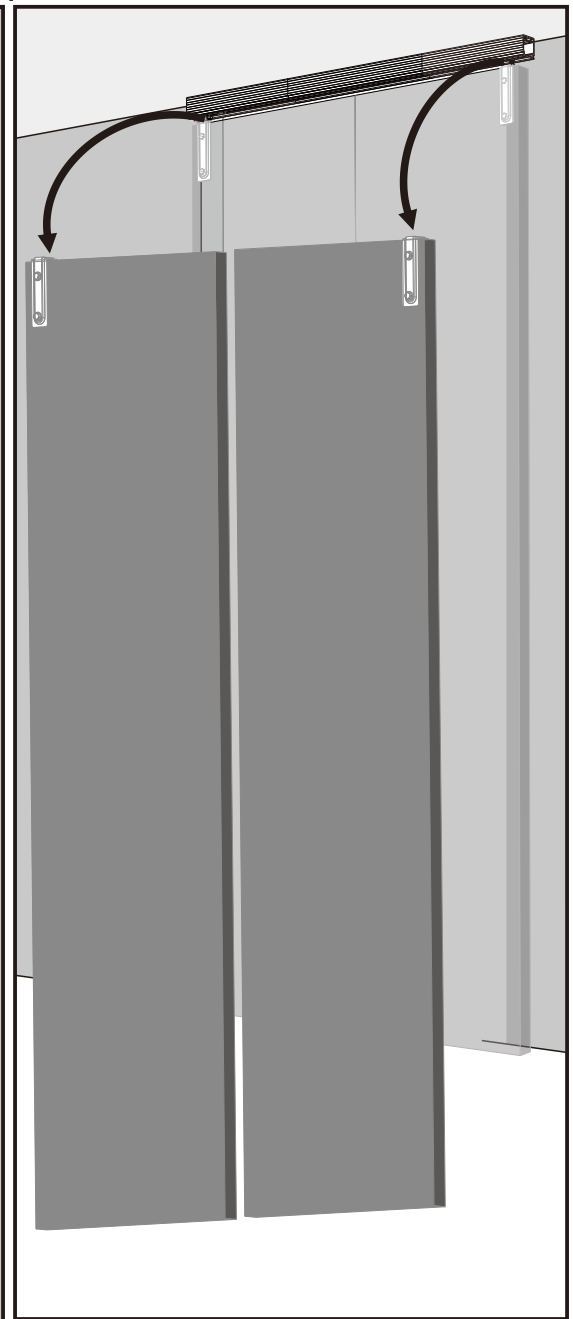
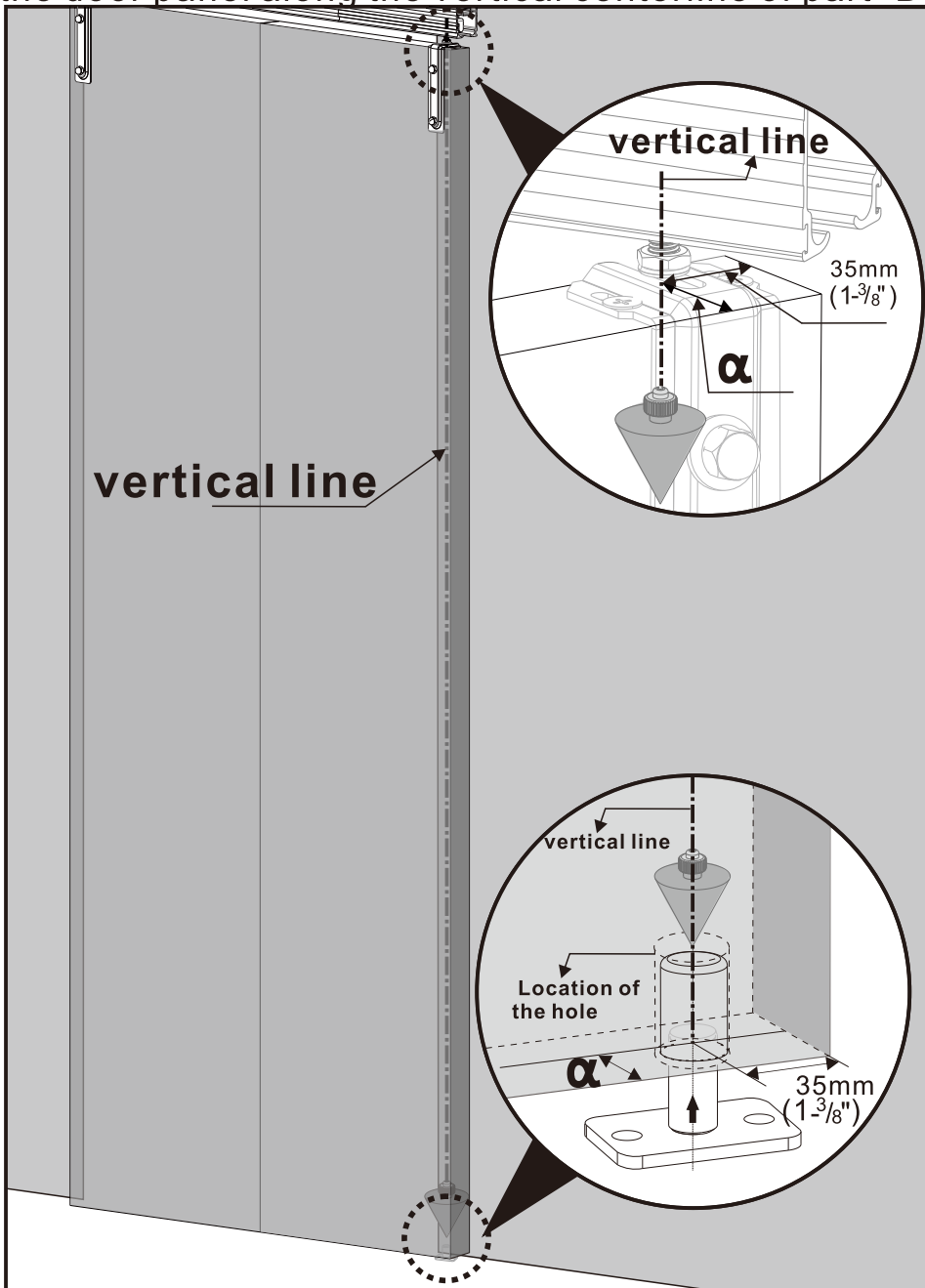
① Rotate the door panel and adjust the distance from the door panel to the wall.



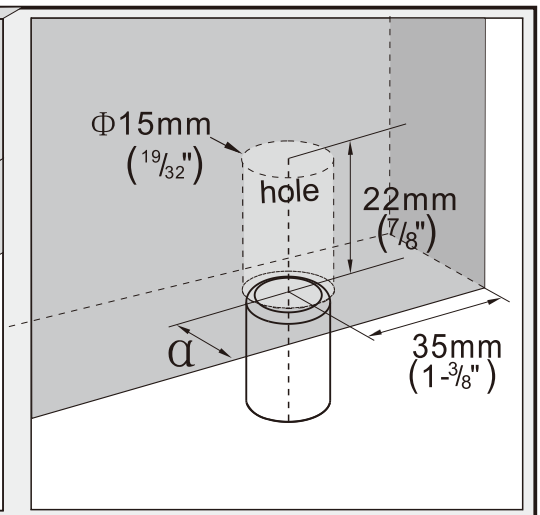
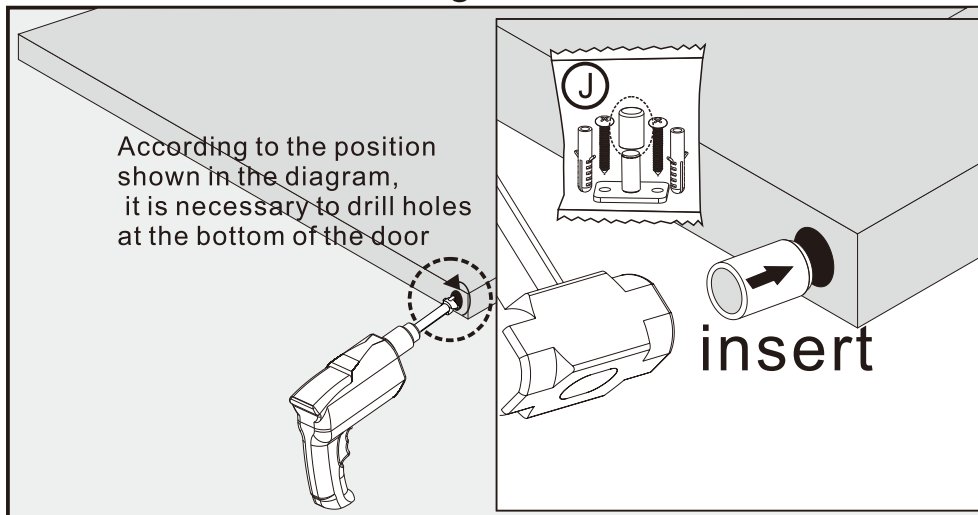


# Step 7 Punching holes for swivels underneath the door panel

- ① Mark the hole punching location on the bottom of the door panel along the vertical centerline of part "D".      ② Take off the door panel.

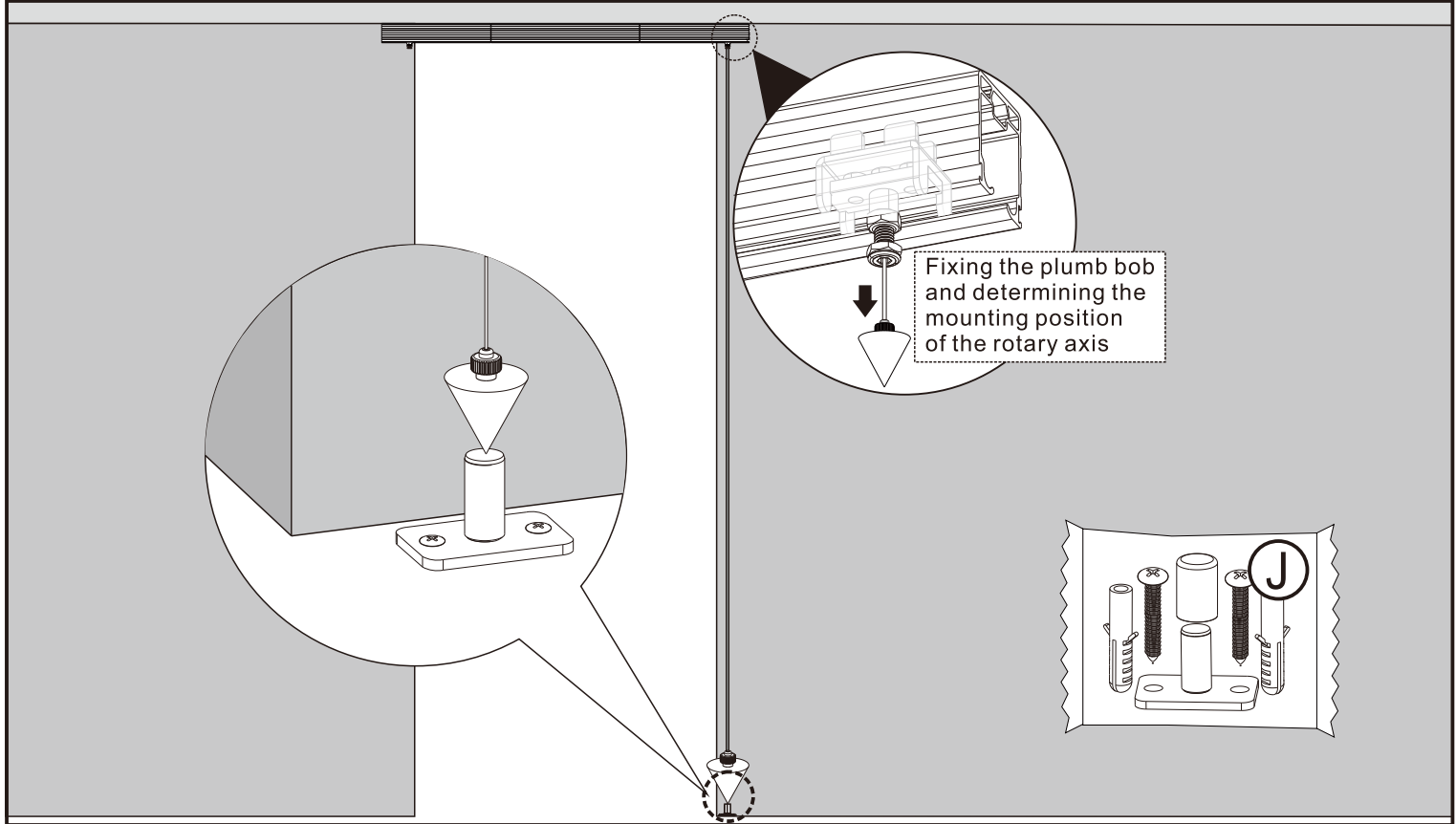


- ③ Drill holes according to the dimension

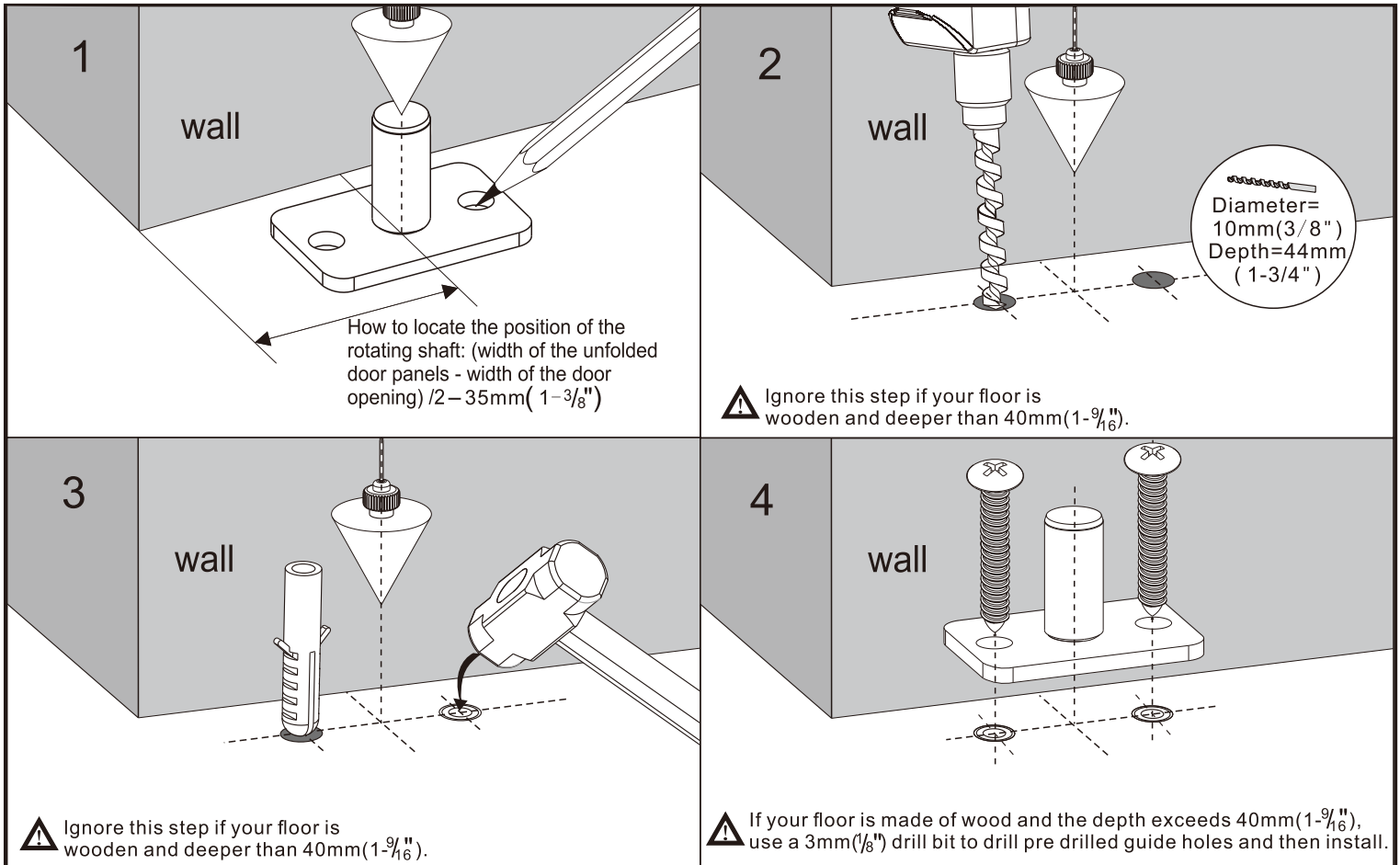


# Step 8 Install the bottom pivot bracket (Floor Guide)

① After unfolding both doors, use a Plumb Bob to determine the installation position of the bottom pivot bracket according to the dimensions indicated.

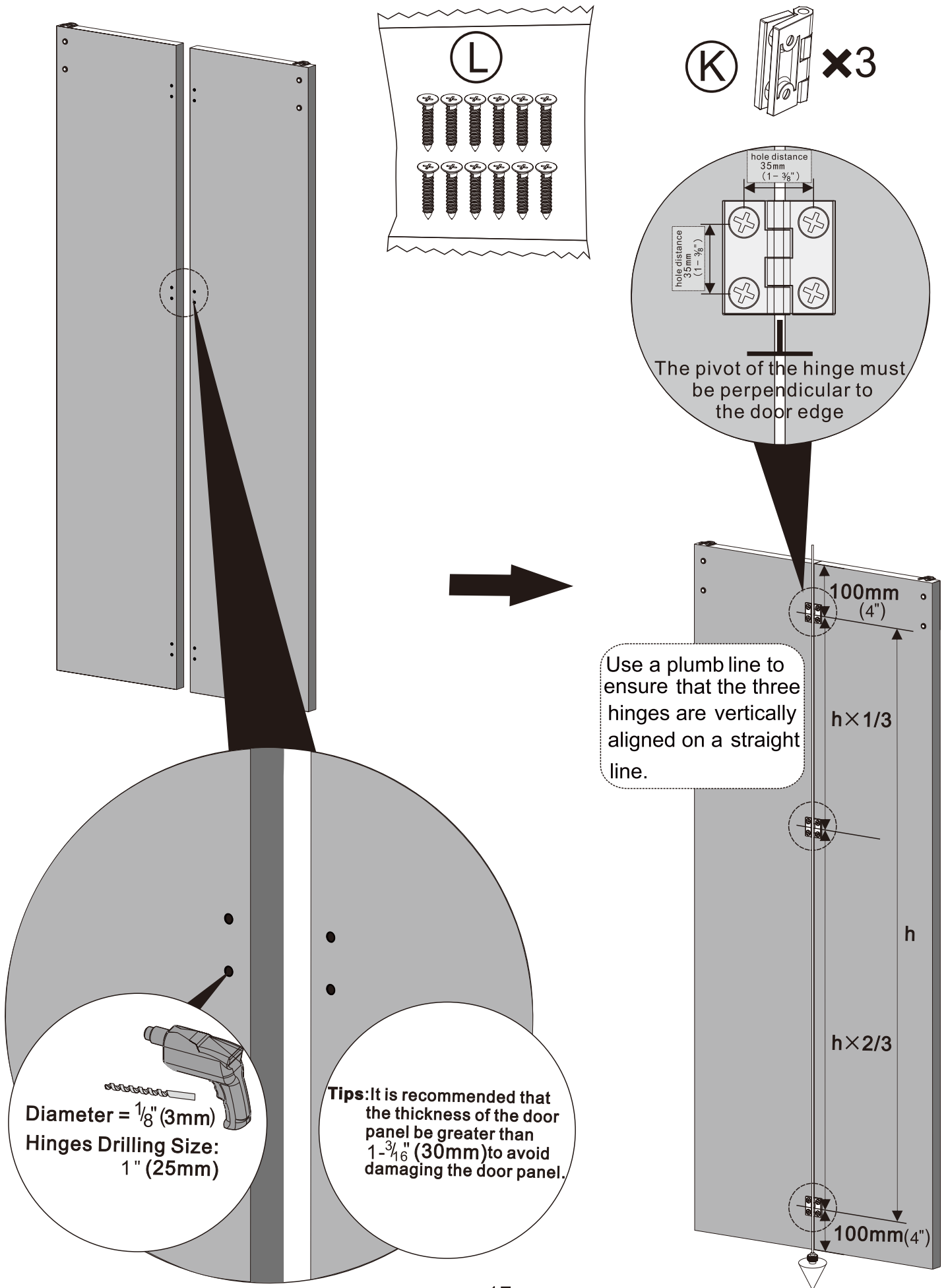


② Prepare the package J components for installing the pivot axis.



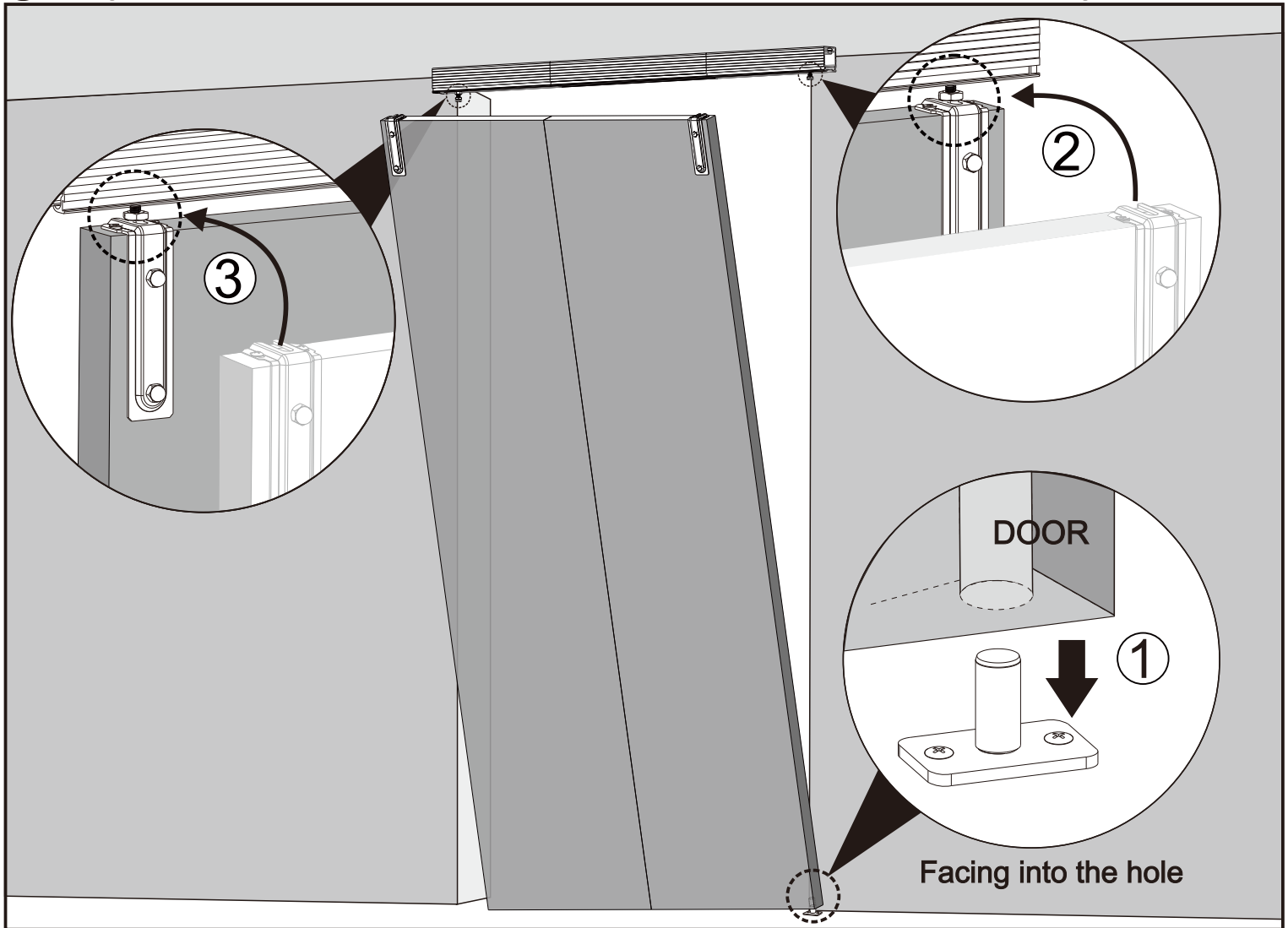
# Step 9 Connect door panels

Note: The hinges should be installed behind the door panels.



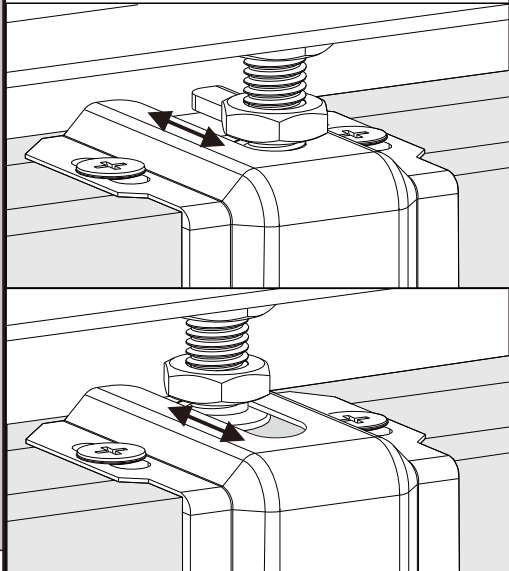
# Step 10 Hang the door panels

① Hang the door panels in the order of the serial numbers in the drawing



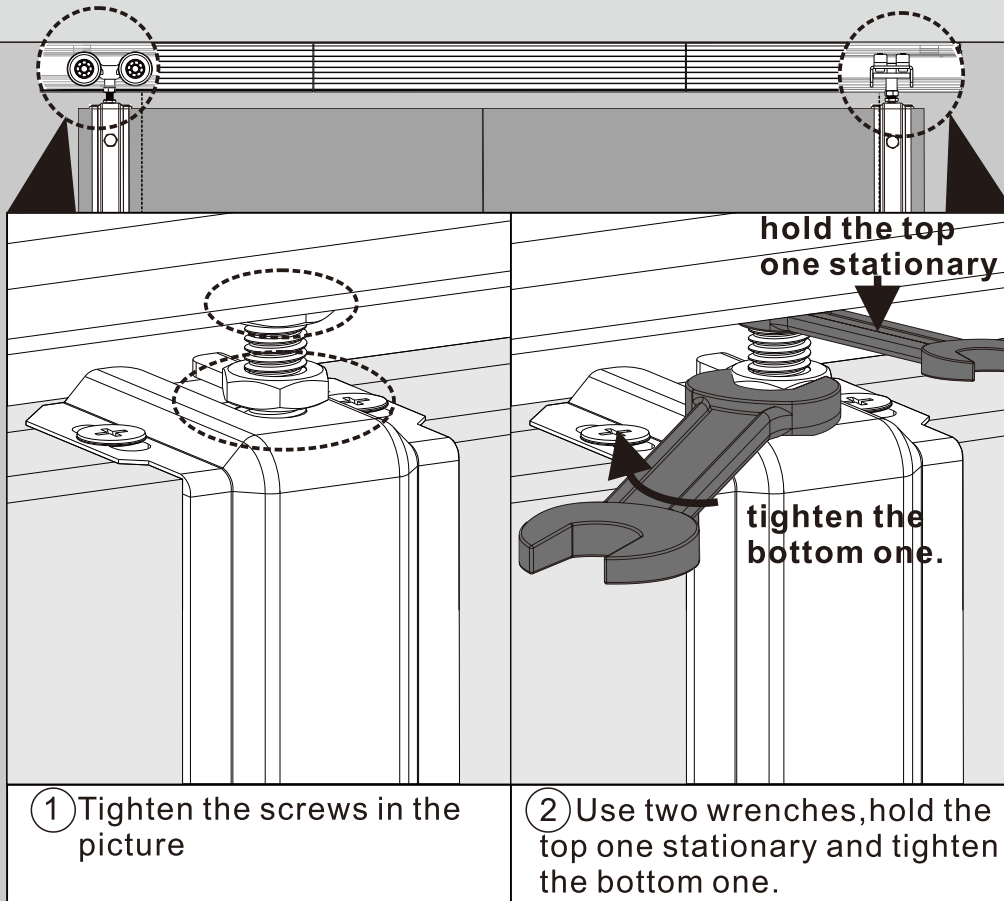
② Fine-tune the position of the door panel to make sure the door opens and closes smoothly and without obstruction.

Forward and backward fine-tuning of door panel position



Open  
→  
Close  
←

# Step 11 Secure the door panel and tighten the screws



# Step 12 Install the Track End Plug

