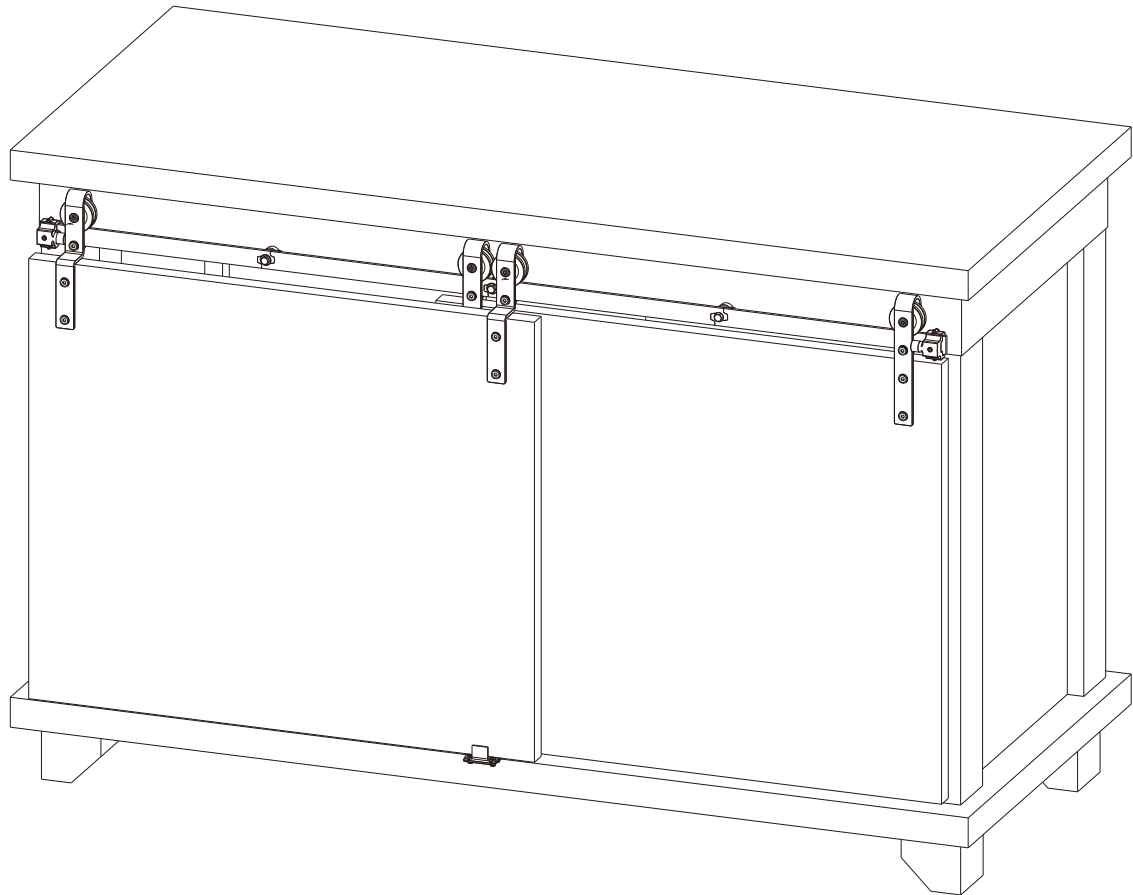
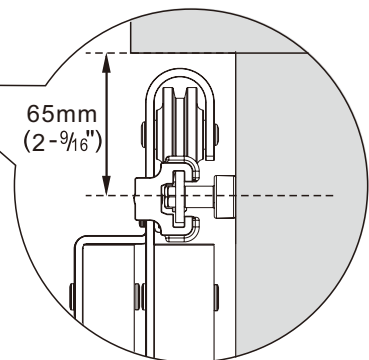
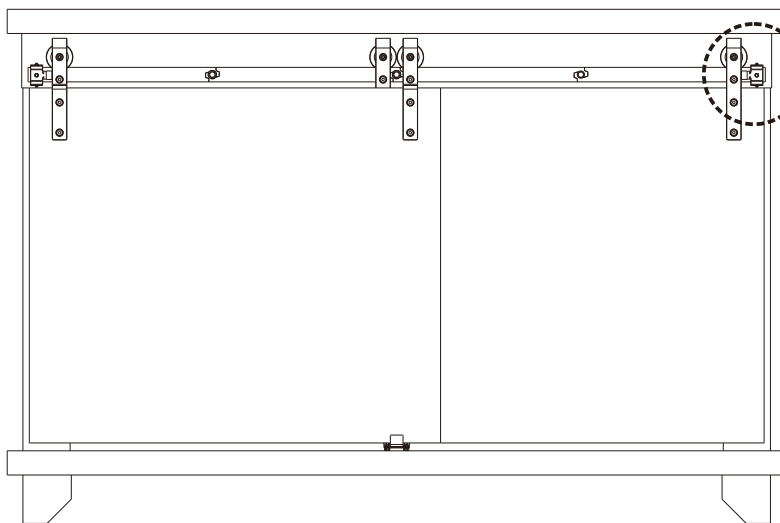


Installation Manual



Before installation, please check if this hardware is suitable for your cabinet.



minimum distance:
65mm(2-⁹/₁₆")

EC	REP
----	-----

Company: E-CrossStu GmbH
Address: Mainzer Landstr.69, 60329 Frankfurt am Main
Mail: E-CrossStu@web.de

UK	REP
----	-----

Company: YH Consulting Limited
Address: C/O YH Consulting Limited Office 147, Centurion House ,
London Road , Staines-upon-Thames , Surrey , TW18 4AX
Mail: H2YHUK@gmail.com



M00DJF

WARNING and CAUTION !!!

EN English

Please follow all safety operating procedures during installation. Pay attention to keep this product away from children.

DE Deutsch

Bitte beachten Sie während der Installation alle Sicherheitsvorschriften. Achten Sie darauf, dieses Produkt von Kindern fernzuhalten.

FR Français

Pendant l'installation, suivez toutes les procédures d'exploitation de sécurité. Prenez soin de garder ce produit loin des enfants.

IT Italiano

Si prega di seguire tutte le procedure operative di sicurezza durante l'installazione. Prestare attenzione a tenere questo prodotto lontano dai bambini.

ES Español

Durante la instalación, siga todos los procedimientos de operación de Seguridad. Preste atención a mantener este producto alejado de los niños.

NL Nederlands

Volg alle veiligheidsprocedures tijdens de installatie. Let op om dit product uit de buurt van kinderen te houden.

PL Polski

Podczas instalacji należy przestrzegać wszystkich procedur bezpieczeństwa. Zwróć uwagę, aby trzymać ten produkt z dala od dzieci.

CZ Čeština

Během instalace dodržujte všechny bezpečnostní provozní postupy. Věnujte pozornost tomu, aby tento výrobek udržel dál od dětí.

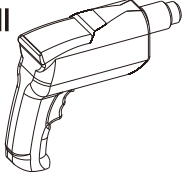

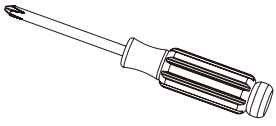
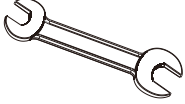




SE Svenska

Följ alla säkerhetsrutiner under installationen. Var uppmärksam på att hålla denna produkt borta från barn.

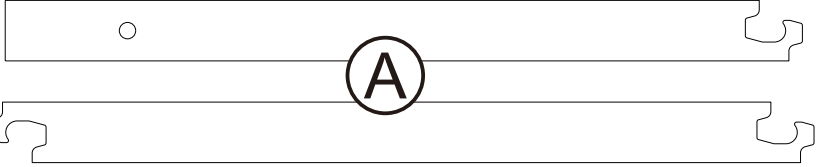
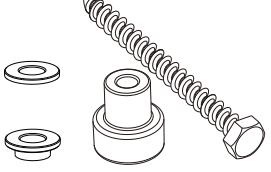
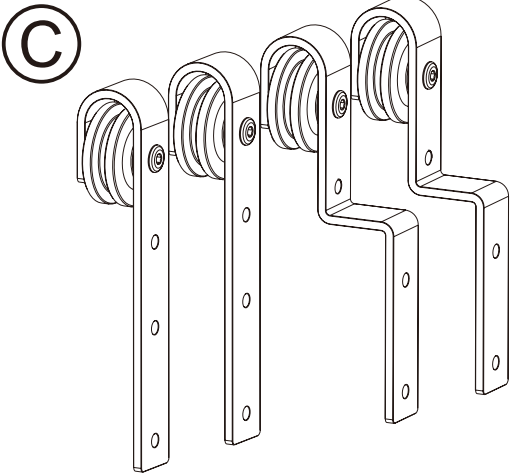
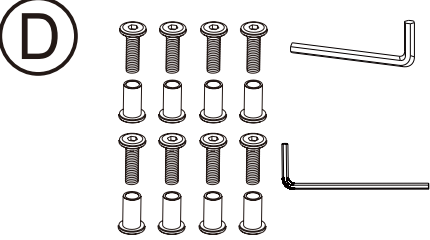
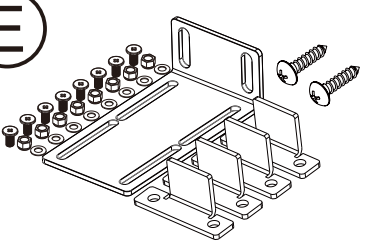
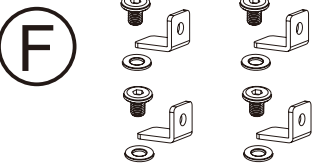
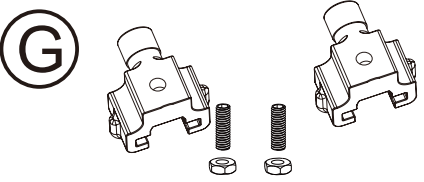
TR Türkçe

Lütfen kurulu sırasında tüm güvenlik işleme prosedürlerini takip edin. Bu ürünü çocuklardan uzak tutmak için dikkat et.

Tools Needed(Prepared by Yourself)

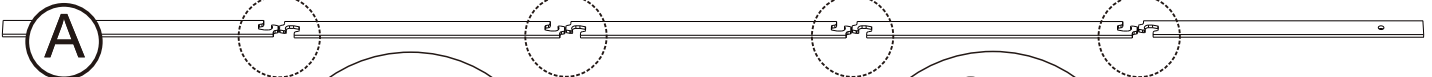
Electric drill 	Marking tools 	Phillips screwdriver 	Combination wrench 	Tape measure 
Drill bits  8mm (5/16")  3mm (1/8")	levelling instrument 			

Check the Package

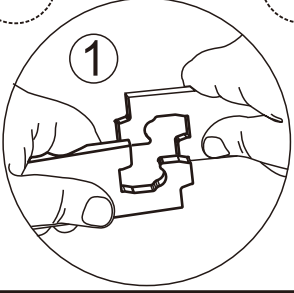
 <p>A</p> <p>The number of this part depends on the size you purchase, refer to attached table.</p>	 <p>B</p> <p>The number of this part depends on the size you purchase, refer to attached table.</p>	
 <p>C</p>	 <p>D</p>	 <p>E</p>
	 <p>F</p>	 <p>G</p>

Step1 Tracks Connection

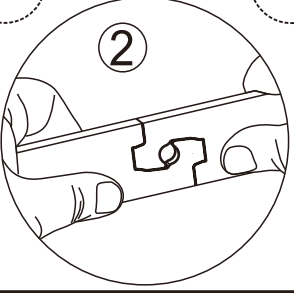
① Lay the tracks flat as shown and start splicing them together



A

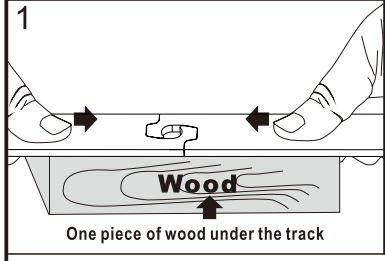
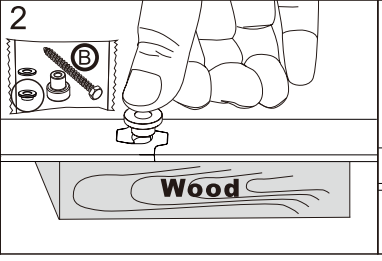
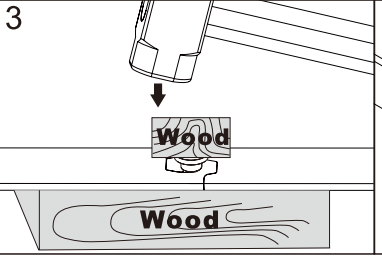
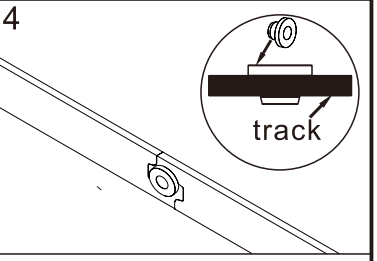
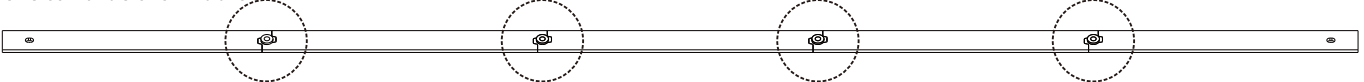


1



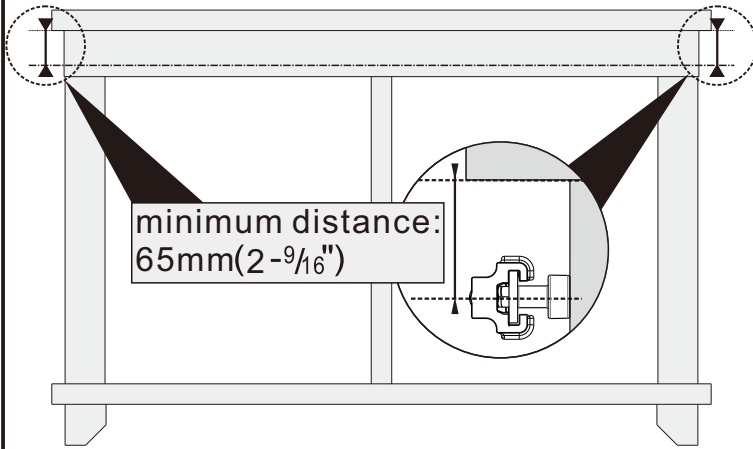
2

② Prepare two pieces of wood and **B** packaging

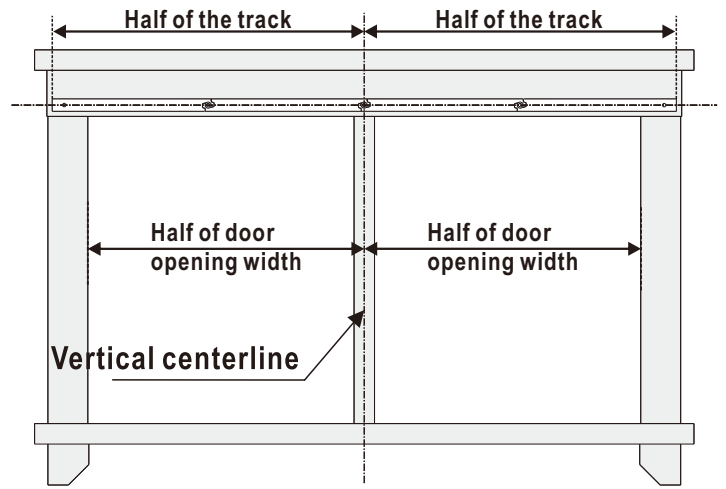
 <p>1</p> <p>Wood</p> <p>One piece of wood under the track</p>	 <p>2</p> <p>Wood</p> <p>Put B into the hole</p>	 <p>3</p> <p>Wood</p> <p>Place a piece of wood on top of use a hammer to secure it into the track</p>	 <p>4</p> <p>track</p> <p>Then the track is connected firmly</p>
			

Step2 Locate the Holes Position

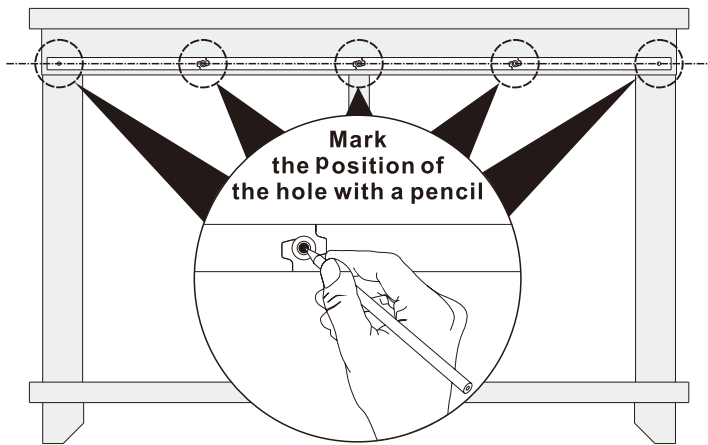
① Determine the distance between the track pre-drilled holes and the top edge of the cabinet.



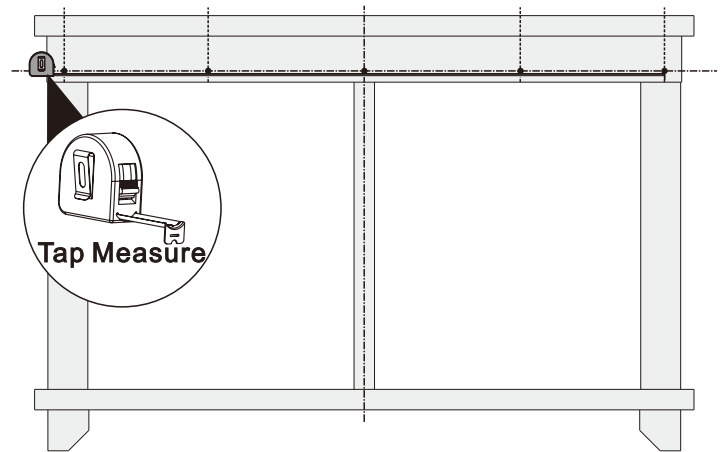
② Determine the vertical centerline of the installation.



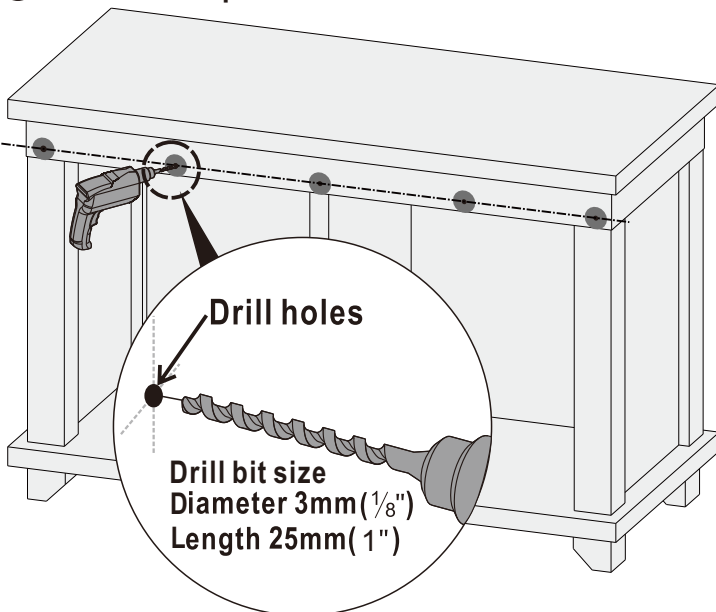
③ Place the spliced track on the position and mark the location of the holes to be drilled.



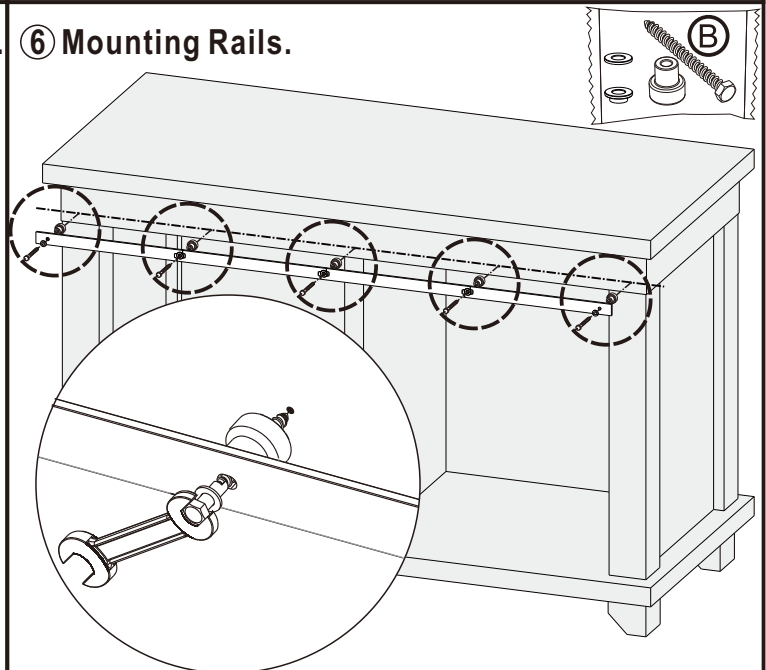
④ Determine the location of the drilled holes again with a tap measure according to the attached table for the different sizes of track.



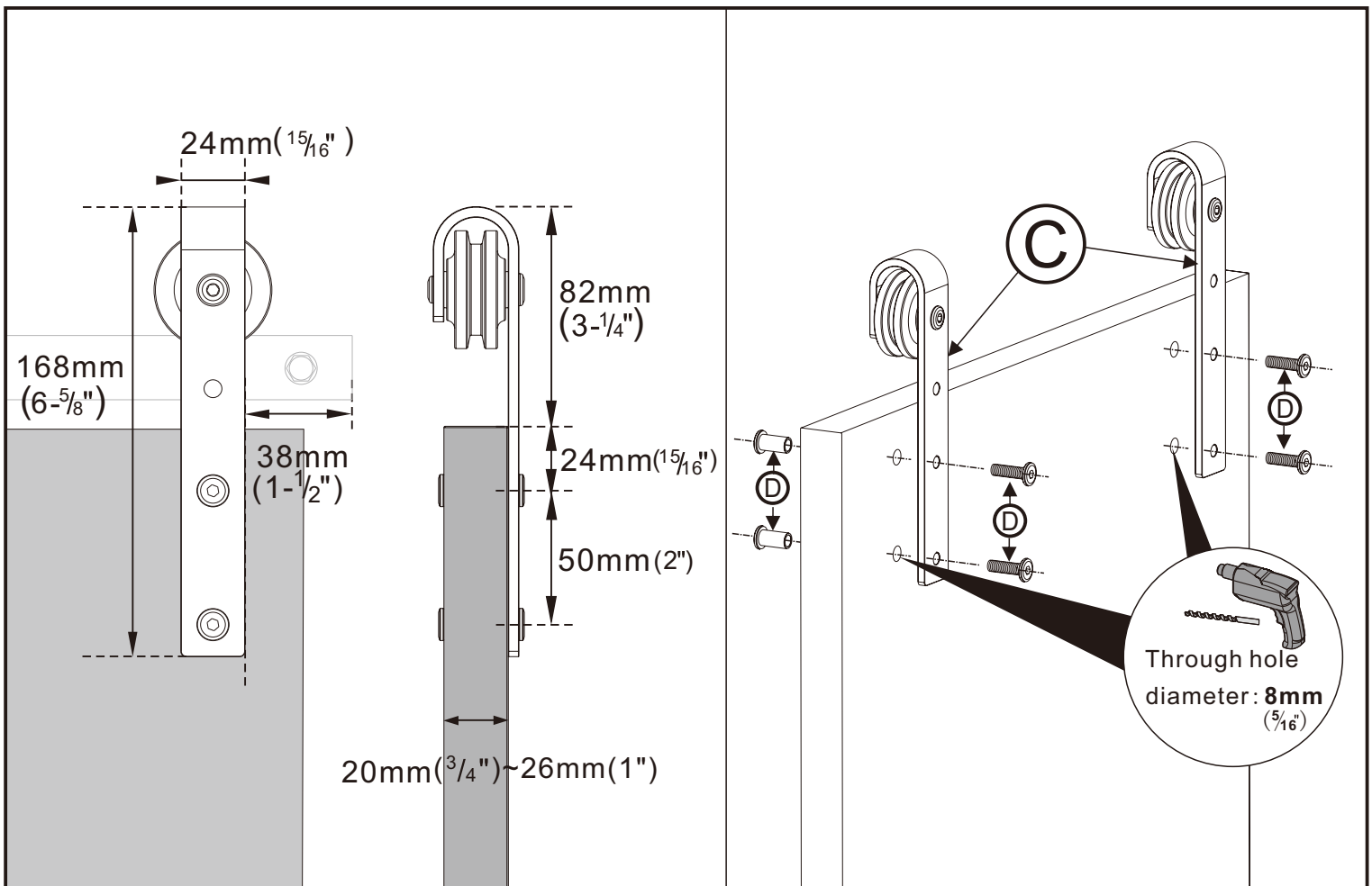
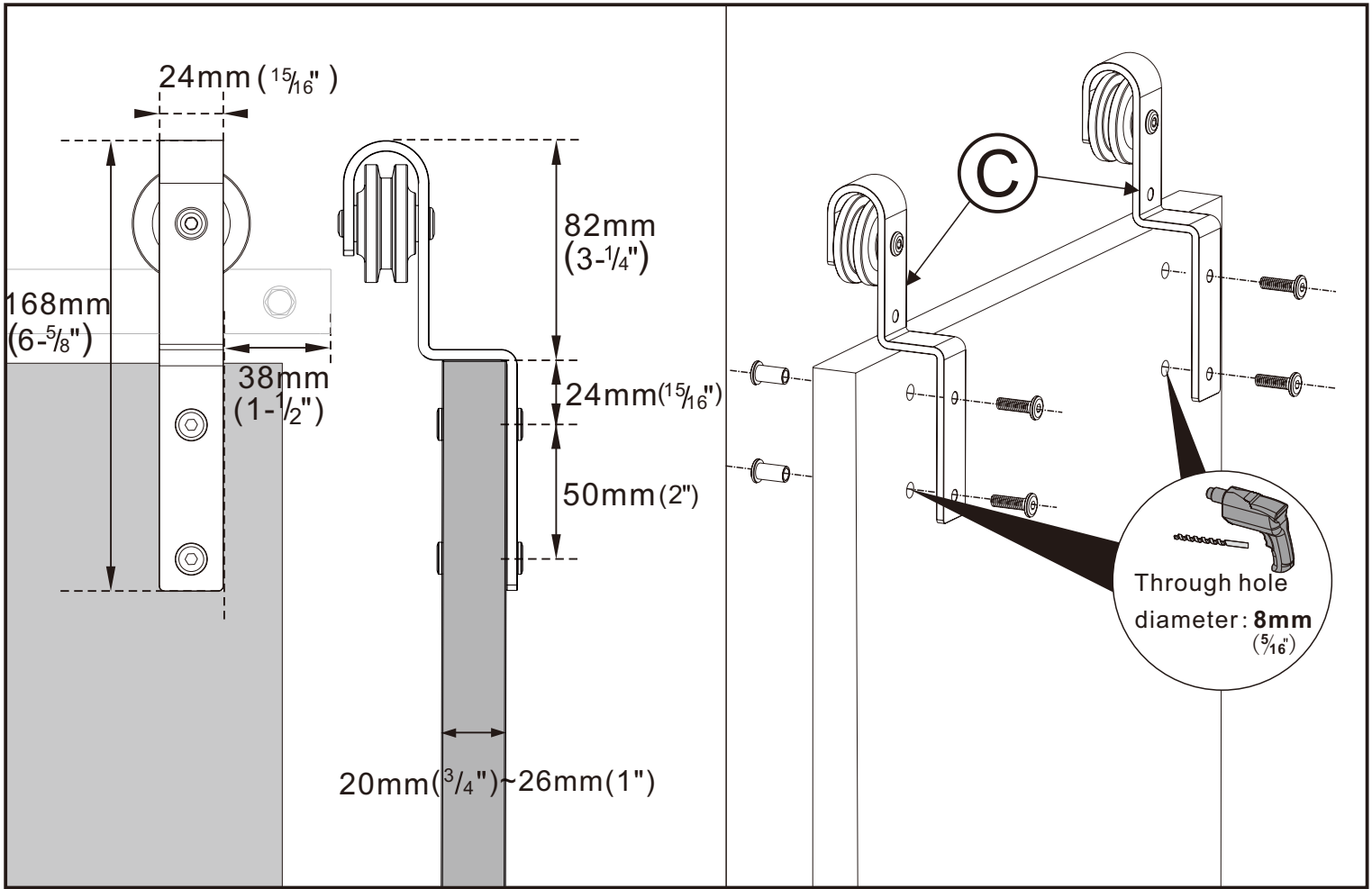
⑤ Use a drill to punch holes in the marked locations.



⑥ Mounting Rails.

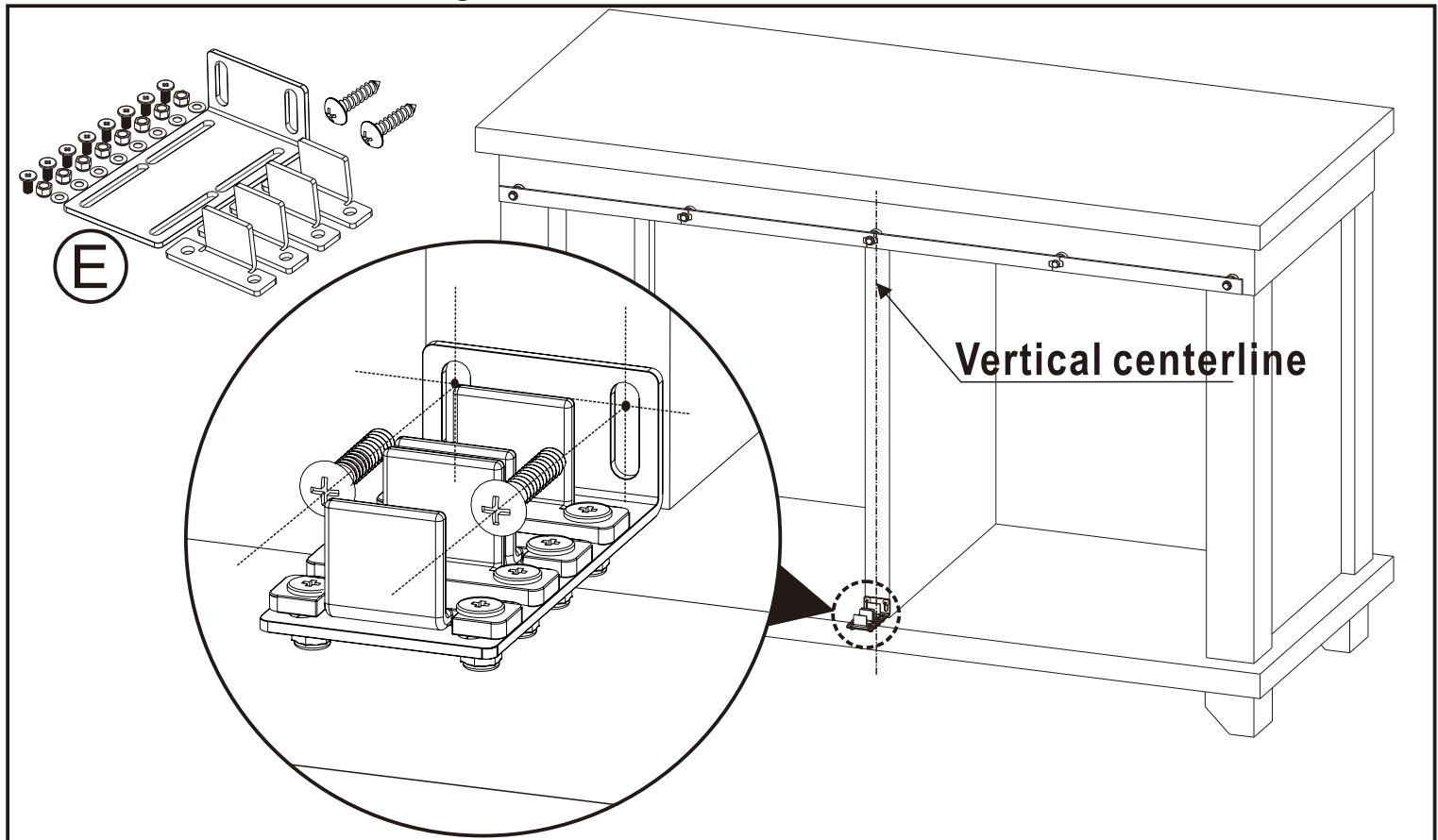


Step3 Installing Door Hangers

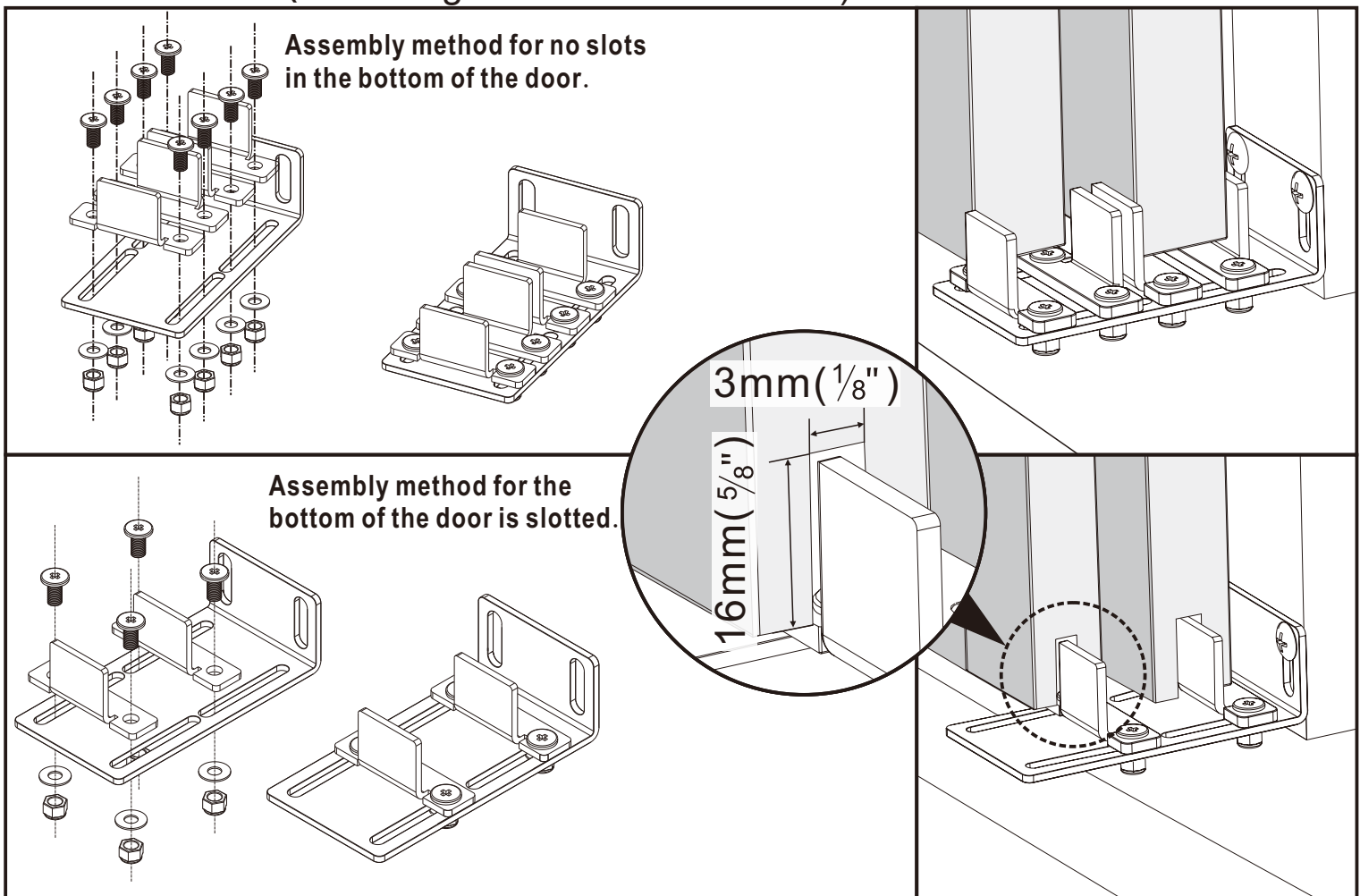


Step4 Installing Door Bottom Guide

Determine the mounting location.

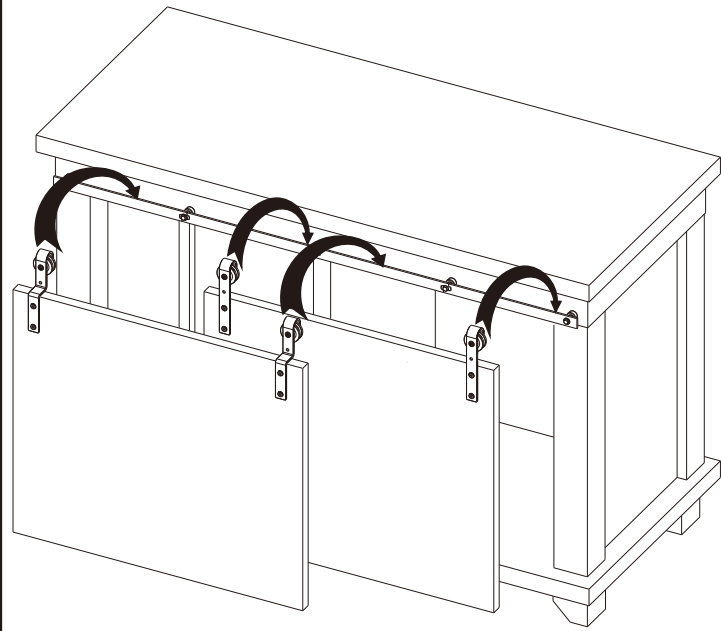


Decide the assembly style according to whether the cabinet door is slotted or not (do not tighten the screws first).

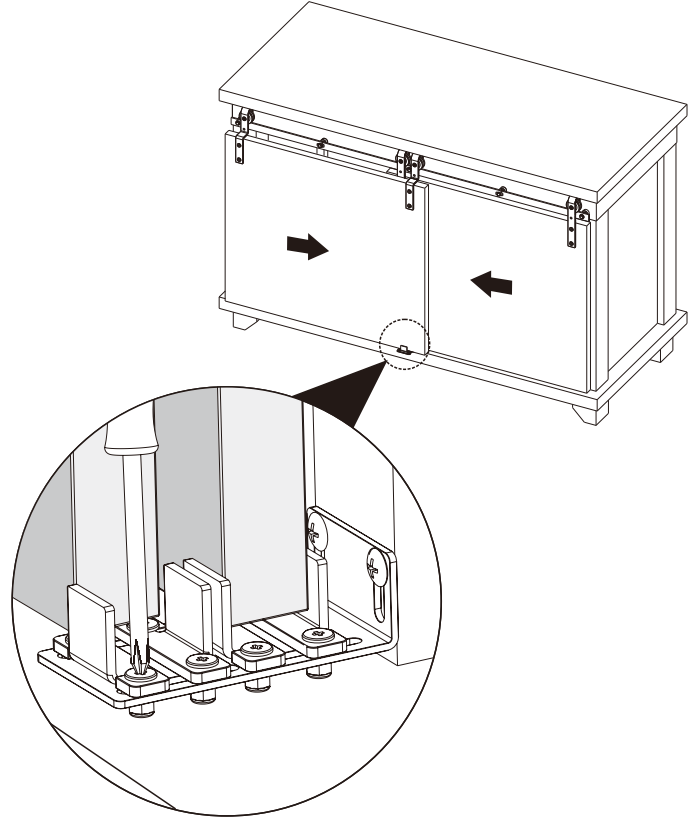


Step 5 Hanging Door Panels and Fixing Door Bottom Guide

① Hang the cabinet door on the track as shown

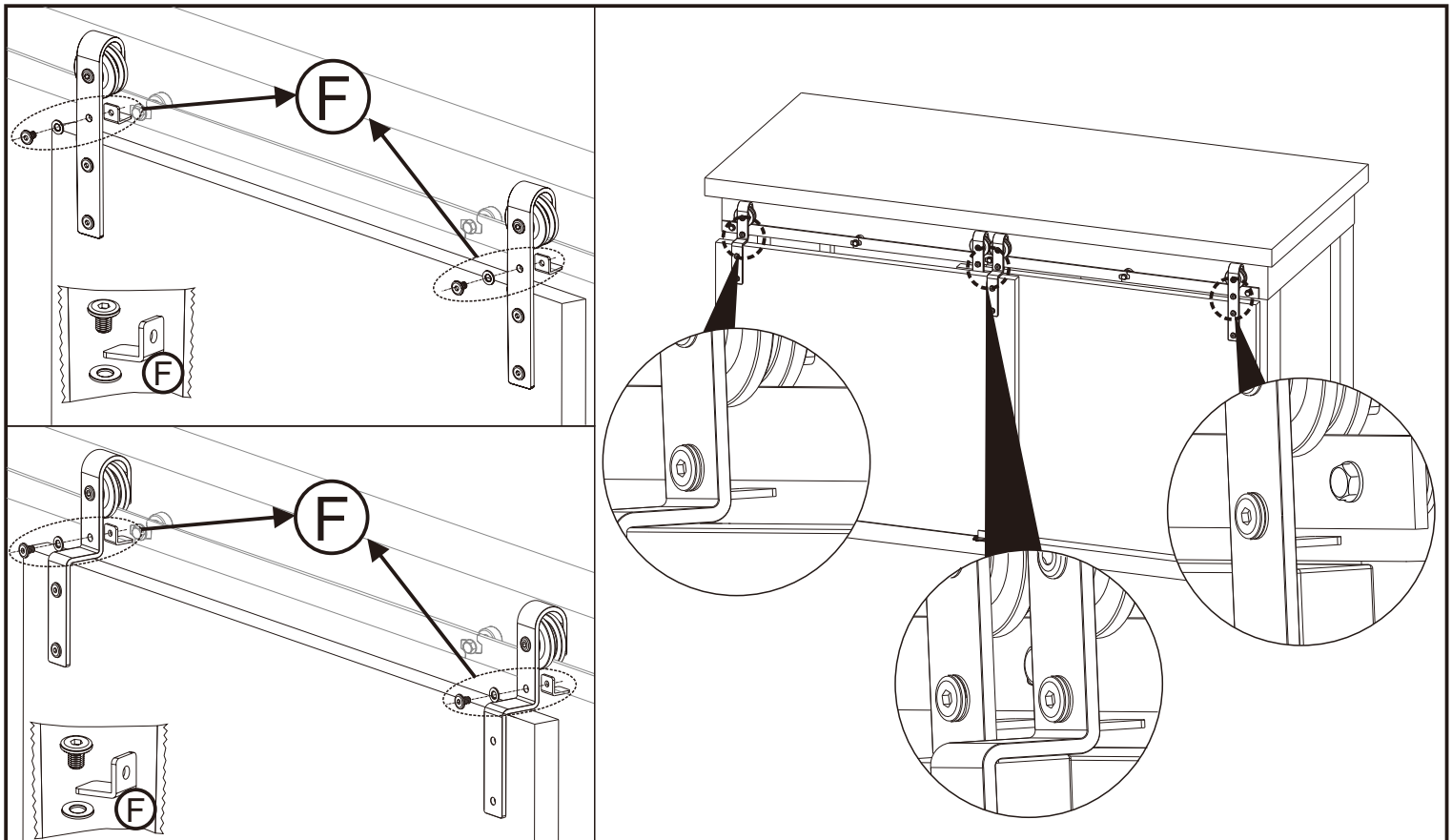


② After ensuring the doors can slide properly, tighten the screws with a screwdriver as shown.

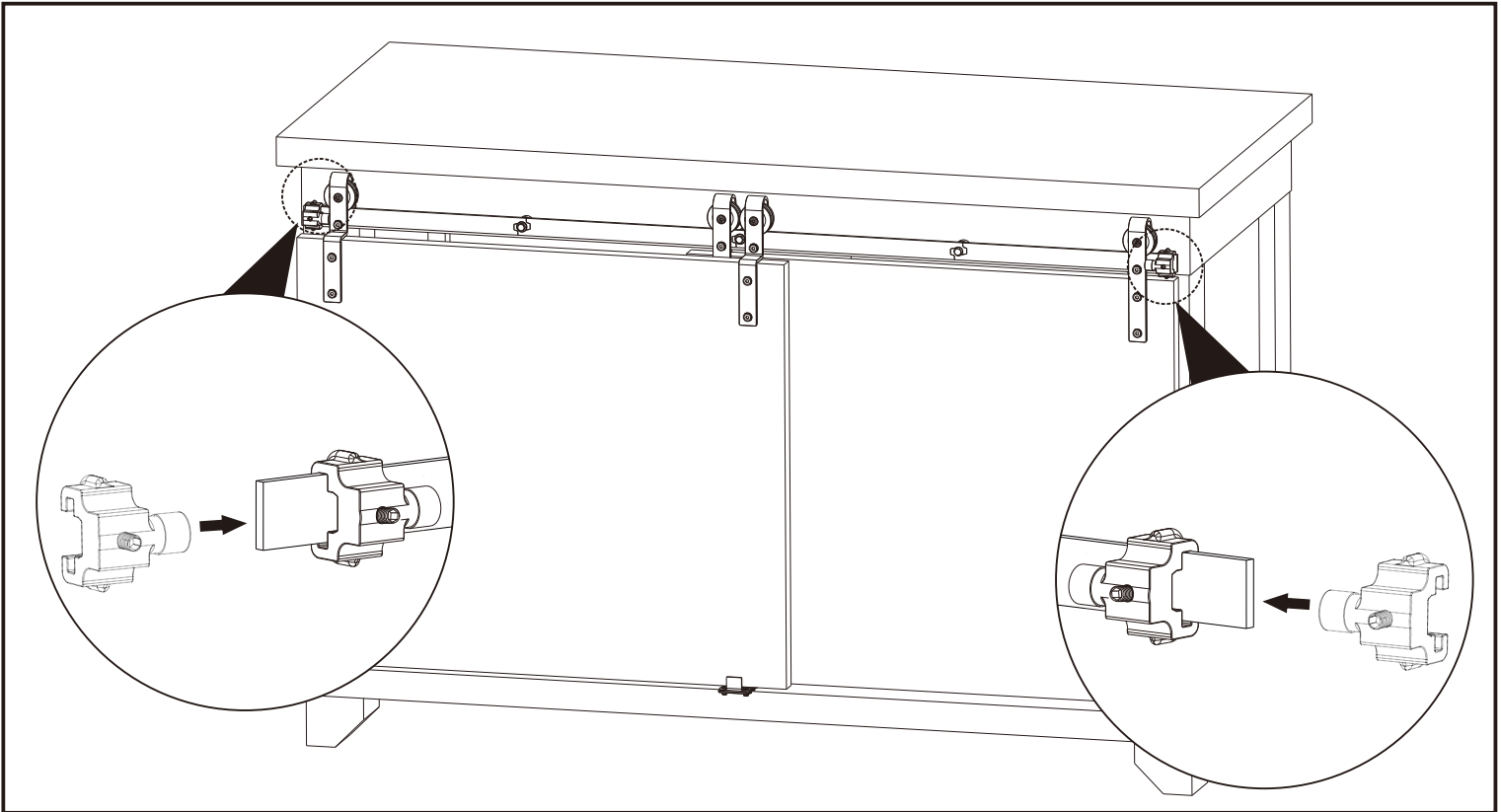
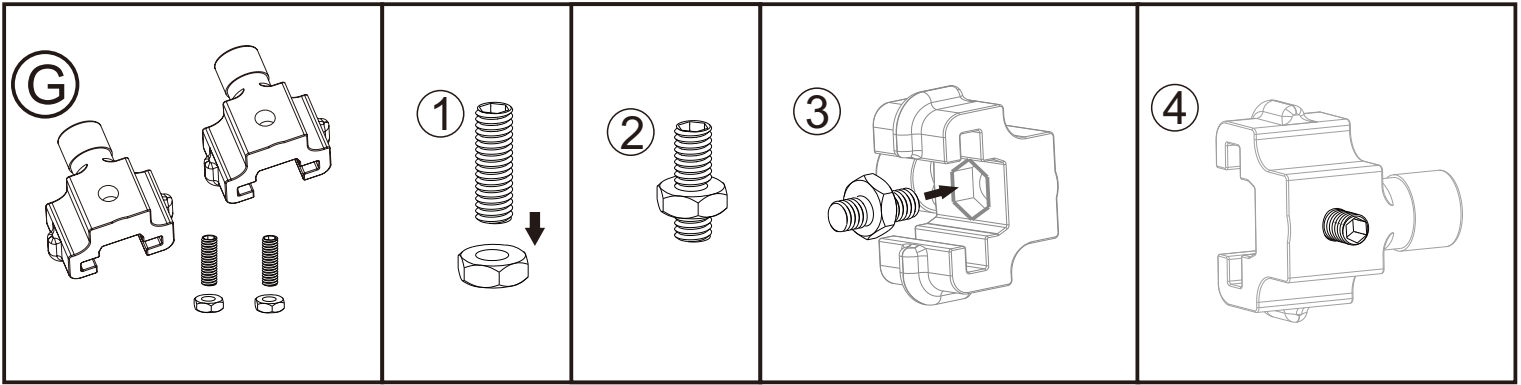


Step 6 Installing anti detachment blocks

Mount (part F) on Door Hanger (part C) as shown.



Step 7 Mounting Door Stoppers



Tighten the Screws

