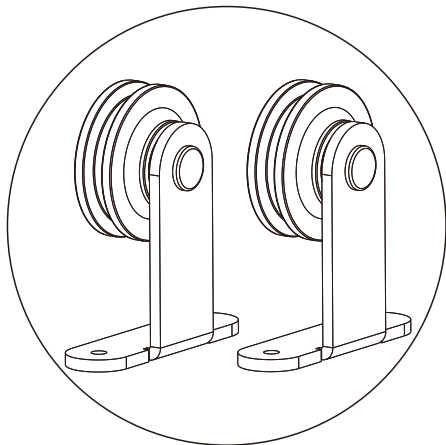
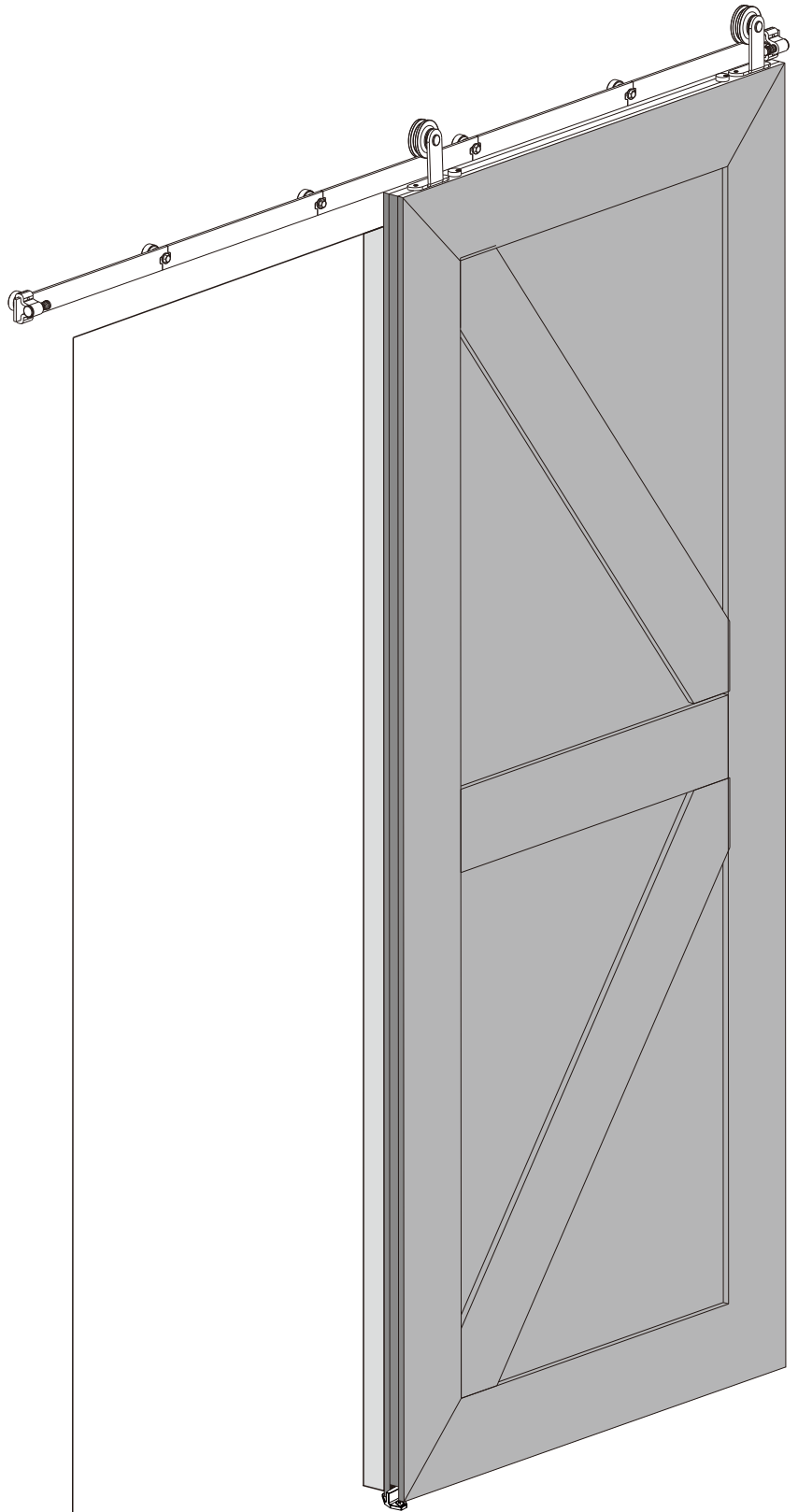


# Installation Guide



|    |     |
|----|-----|
| EC | REP |
|----|-----|

Company: E-CrossStu GmbH  
 Address: Mainzer Landstr.69, 60329 Frankfurt am Main  
 Mail: E-CrossStu@web.de

|    |     |
|----|-----|
| UK | REP |
|----|-----|

Company: YH Consulting Limited  
 Address: C/O YH Consulting Limited Office 147, Centurion House ,  
 London Road , Staines-upon-Thames , Surrey , TW18 4AX  
 Mail: H2YHUK@gmail.com



**A00STS**

# WARNING and CAUTION !!!

## EN English

Please follow all safety operating procedures during installation. Pay attention to keep this product away from children.

## DE Deutsch

Bitte beachten Sie während der Installation alle Sicherheitsvorschriften. Achten Sie darauf, dieses Produkt von Kindern fernzuhalten.

## FR Français

Pendant l'installation, suivez toutes les procédures d'exploitation de sécurité. Prenez soin de garder ce produit loin des enfants.

## IT Italiano

Si prega di seguire tutte le procedure operative di sicurezza durante l'installazione. Prestare attenzione a tenere questo prodotto lontano dai bambini.

## ES Español

Durante la instalación, siga todos los procedimientos de operación de Seguridad. Preste atención a mantener este producto alejado de los niños.

## NL Nederlands

Volg alle veiligheidsprocedures tijdens de installatie. Let op om dit product uit de buurt van kinderen te houden.

## PL Polski

Podczas instalacji należy przestrzegać wszystkich procedur bezpieczeństwa. Zwróć uwagę, aby trzymać ten produkt z dala od dzieci.

## CZ Čeština

Během instalace dodržujte všechny bezpečnostní provozní postupy. Věnujte pozornost tomu, aby tento výrobek udržel dál od dětí.

## SE Svenska

Följ alla säkerhetsrutiner under installationen. Var uppmärksam på att hålla denna produkt borta från barn.

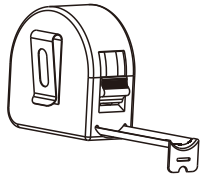



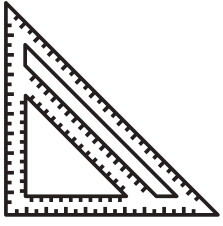
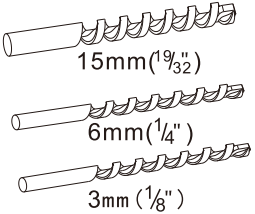
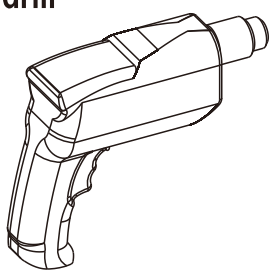
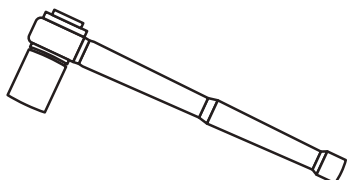
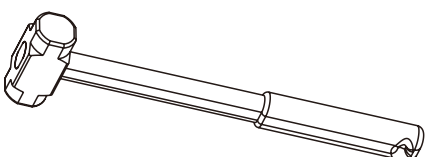
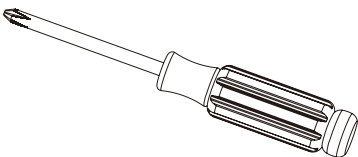

## TR Türkçe

Lütfen kurulu sırasında tüm güvenlik işleme prosedürlerini takip edin. Bu ürünü çocuklardan uzak tutmak için dikkat et.

# Please Read Carefully

|  |   |   |  |   |
|--|---|---|--|---|
|  |  |  |  |  |
| <b>Read all instructions carefully</b>   | <b>Protect your eyes by wearing safety goggles</b>                                | <b>Keep the installation area free of clutter</b>                                 | <b>We recommend two people for certain parts of the installation</b>               | <b>Follow each step completely before starting the next step</b>                    |

## Tools Needed(Prepared by Yourself)

|  |  |  |
|--|--|--|
| <b>Tape measure</b><br>           | <b>levelling instrument</b><br>  | <b>Stud Finder</b><br>  |
| <b>Marking tools</b><br>        | <b>Speed Square</b><br>   | <b>Drill bits</b><br> |
| <b>Electric drill</b><br>       | <b>Deep Socket Wrench</b><br>   | <b>Hammer</b><br>     |
| <b>Phillips screwdriver</b><br> | <p>Please have all of the above tools available before installation so that installation will be easier.</p>  |  |

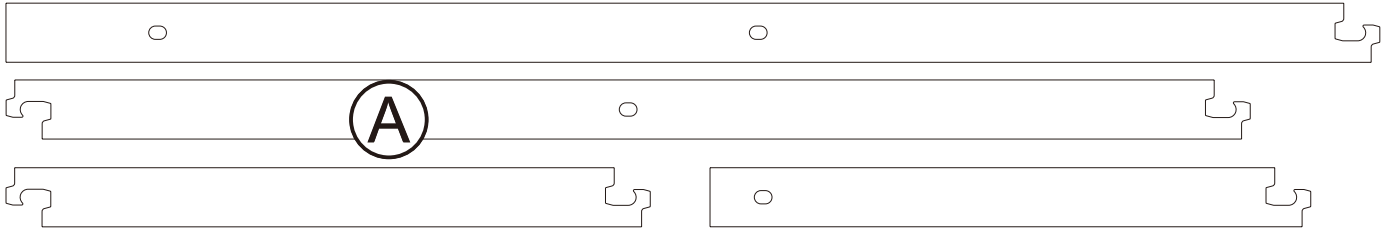
# IMPORTANT!

Check whether all the parts are complete after receiving the goods, if there are missing or damaged, please do not return the goods, contact your customer service, we will provide you with free replacement.

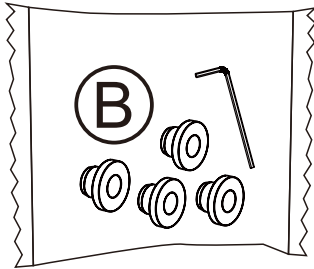
## Packaging List (Easier installation by part number marking)

### Track and Track Accessories

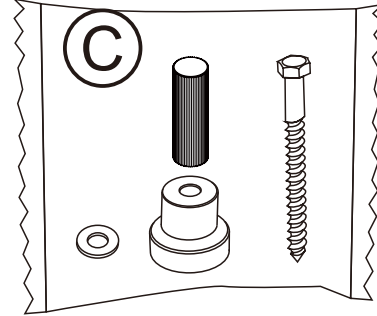
The number of this part depends on the size you purchase, refer to attached table.



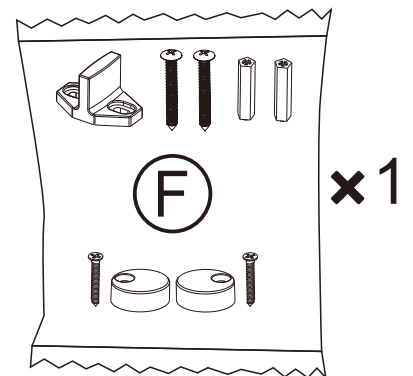
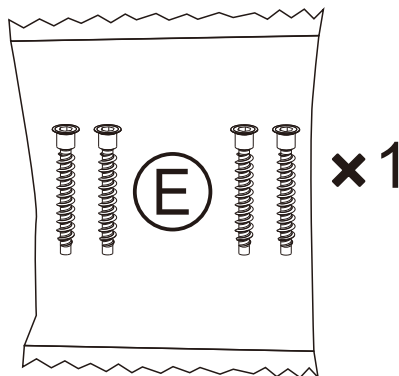
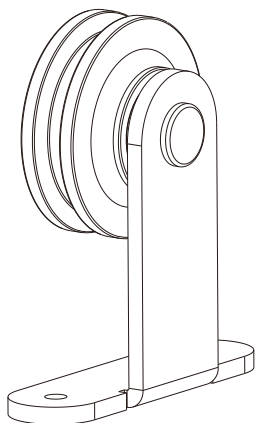
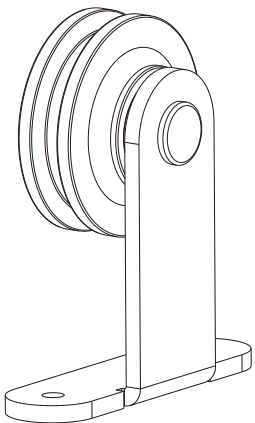
The number of this part depends on the size you purchase, refer to attached table.



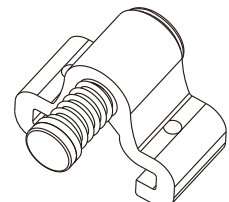
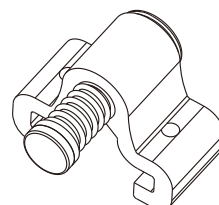
The number of this part depends on the size you purchase, refer to attached table.



### Hangers and Hangers Accessories

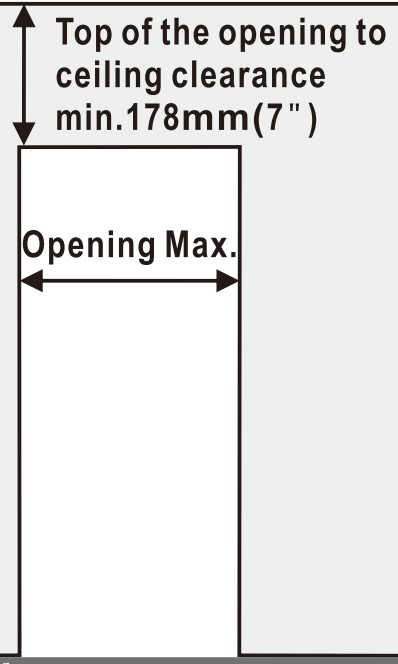


(G)



# Tips: Required Dimensions

## Track Fits Max. Door Opening



Top of the opening to ceiling clearance min. 178mm (7")

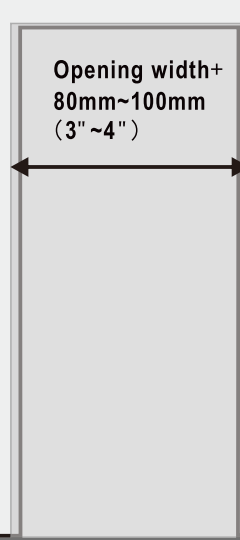
Opening Max.

floor

Track lengths and applicable door opening widths

| Track length   | Max opening width | Track length  | Max opening width |
|----------------|-------------------|---------------|-------------------|
| 2FT\612mm      | 9inch\230mm       | 8. 3FT\2542mm | 47inch\1190mm     |
| 2.5FT\764mm    | 12inch\300mm      | 9FT\2744mm    | 51inch\1290mm     |
| 3FT\918mm      | 15inch\380mm      | 9.6FT\2948mm  | 55inch\1395mm     |
| 3. 3FT\1018mm  | 17inch\430mm      | 10FT\3048mm   | 57inch\1450mm     |
| 3. 5FT\1070mm  | 18inch\450mm      | 10.6FT\3252mm | 61inch\1550mm     |
| 4FT\1222mm     | 21inch\530mm      | 11FT\3354mm   | 63inch\1600mm     |
| 4. 3FT\1324mm  | 23inch\580mm      | 11.5FT\3558mm | 67inch\1700mm     |
| 5FT\1526mm     | 27inch\685mm      | 12FT\3658mm   | 69inch\1750mm     |
| 5. 21FT\1592mm | 28inch\720mm      | 12.6FT\3860mm | 73inch\1850mm     |
| 5. 7FT\1730mm  | 31inch\785mm      | 13FT\3964mm   | 75inch\1900mm     |
| 6FT\1830mm     | 33inch\835mm      | 13.6FT\4166mm | 79inch\2000mm     |
| 6. 6FT\2034mm  | 37inch\940mm      | 1440FT\4266mm | 81inch\2055mm     |
| 7FT\2136mm     | 39inch\990mm      | 15FT\4572mm   | 87inch\2210mm     |
| 7. 3FT\2236mm  | 41inch\1040mm     | 16FT\4876mm   | 93inch\2360mm     |
| 7. 5FT\2288mm  | 42inch\1065mm     | 18FT\5485mm   | 104inch\2640mm    |
| 8FT\2440mm     | 45inch\1140mm     | 20FT\6000mm   | 115inch\2920mm    |

## Track Fits Door Panel Size



Opening width+ 80mm~100mm (3"~4")

floor

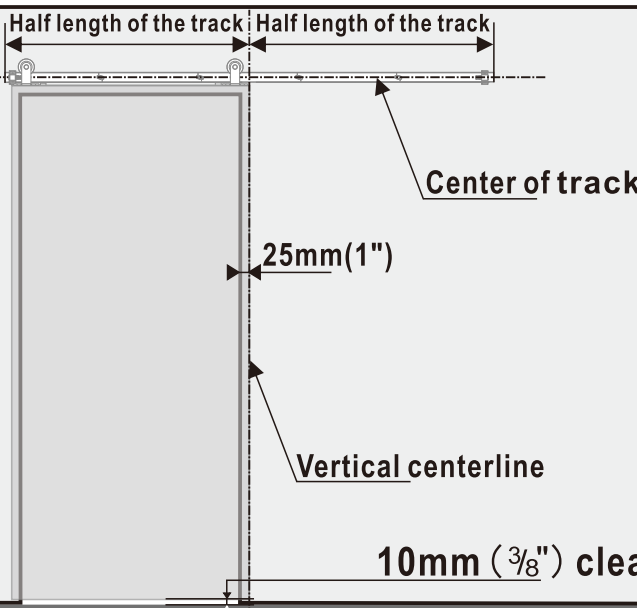
**Door Panel Width:**  
Door Opening Width +80-100mm(3-4").

**Door Panel Height:**  
Door Opening Height +25-50mm(1-2").

**Door Panel Thickness:**30-48mm(1-<sup>3</sup>/<sub>16</sub>" ~1-<sup>7</sup>/<sub>8</sub>").

**Door Panel Weight :**Max150kg (330 lbs)

## Track Installation Position



Half length of the track

Half length of the track

Center of track

Vertical centerline

Bottom of floor to center of track= Door panel height+41mm(1-<sup>5</sup>/<sub>8</sub>")

25mm(1")

10mm (<sup>3</sup>/<sub>8</sub>") clearance between bottom door and floor

floor

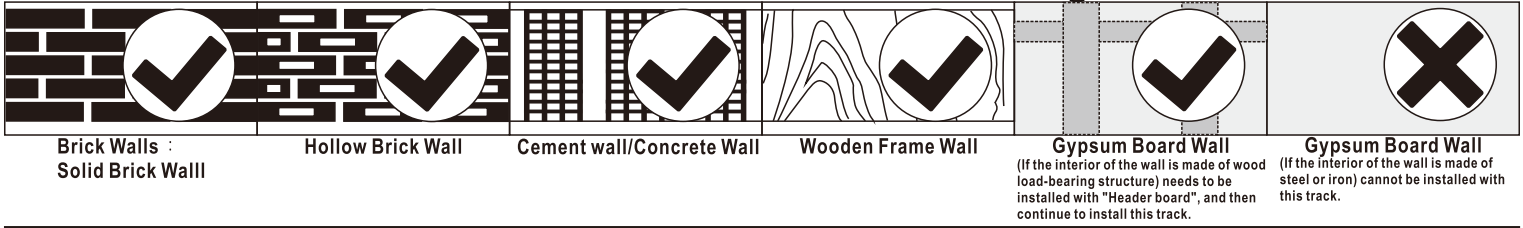
**Center of track position:**  
Door panel height+41mm(1-<sup>5</sup>/<sub>8</sub>")

**Vertical of track position:**  
Door frame edge+25mm(1")

# Before You Begin

**Warning:** Do not install the track directly on drywall or other walls which don't have enough weight capacity. If necessary, we recommend using a solid wood Header Board.

**▲ Ensure That Your Wall Has Sufficient Load-bearing.**

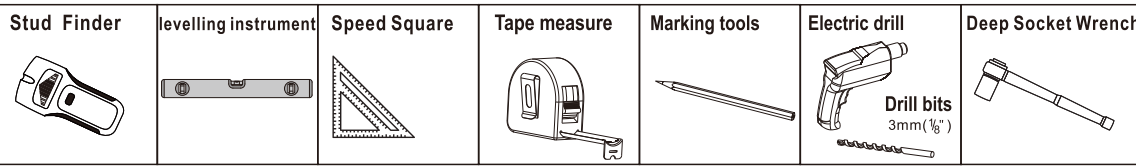


## 1 Check Your Wall

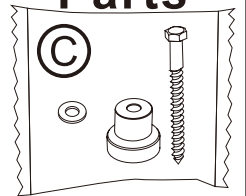
Check your shed roof construction before installing. Different constructions require different tools

Wood frame walls and gypsum board wall require the following tools : (drilling steps on page 7-9)

### Tools

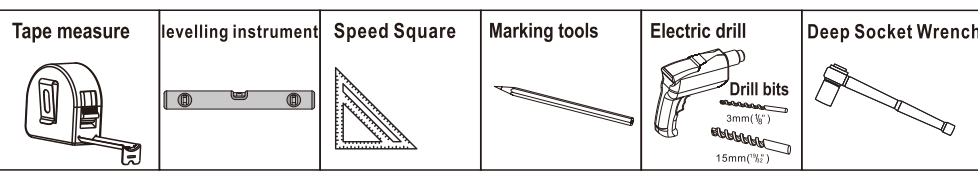


### Parts

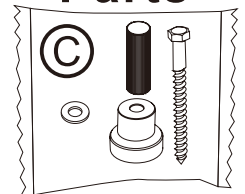


Solid Brick Wall\Hollow Brick Wall\Concrete wall (drilling steps on pages 10-12) and cement wall require the following tools:

### Tools

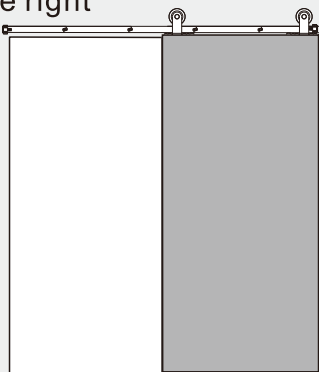


### Parts

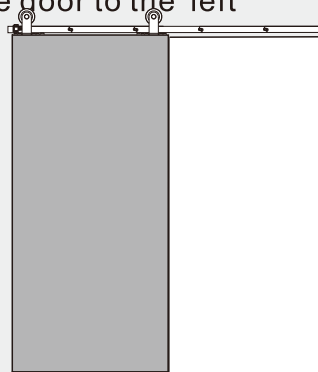


## 2 Pick Your Door Openg Direction

Open the door to the right



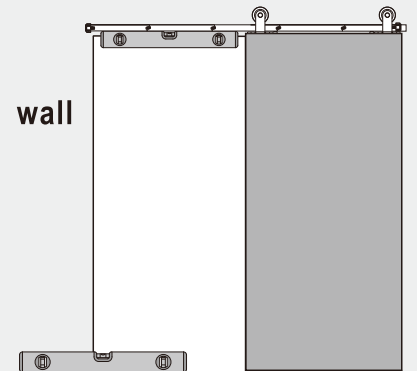
Open the door to the left



## 3 Check for level floor and center of track level

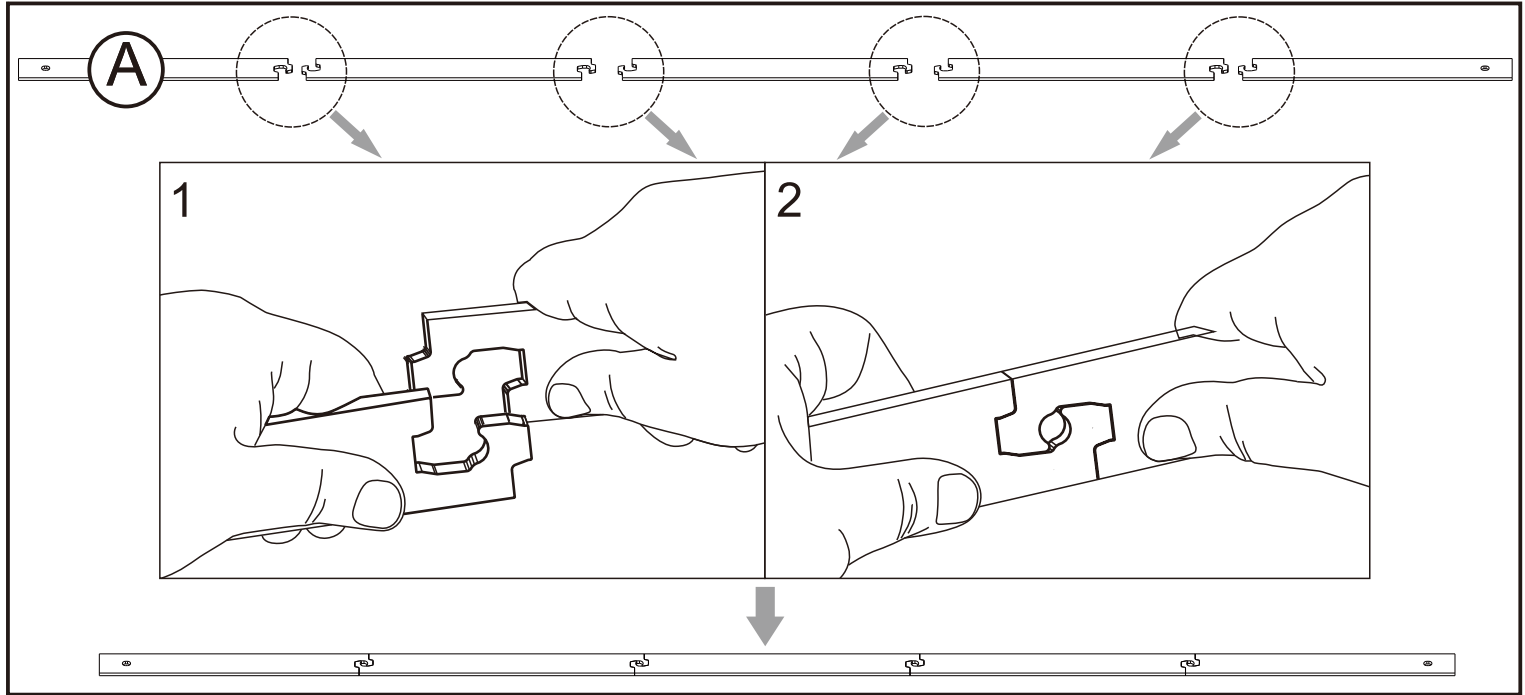
### IMPORTANT!

- ★ To ensure that the door opens and closes prorerly, use a level to check the floor and center of track are level before installing and measuring.
- ★ Tracks that are not level can cause sliding doors to jam, or door panels to slide sideways

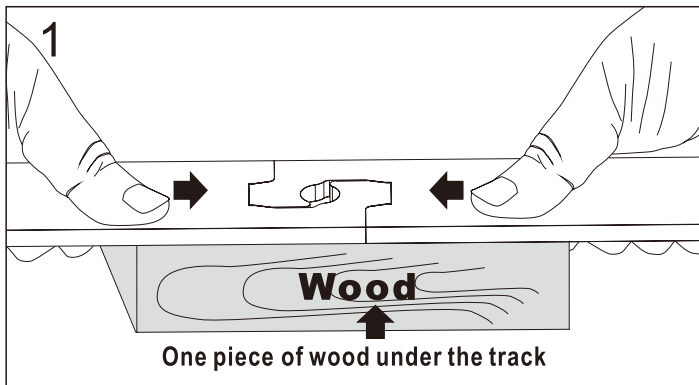
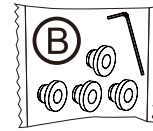


# Step 1 Tracks Connection

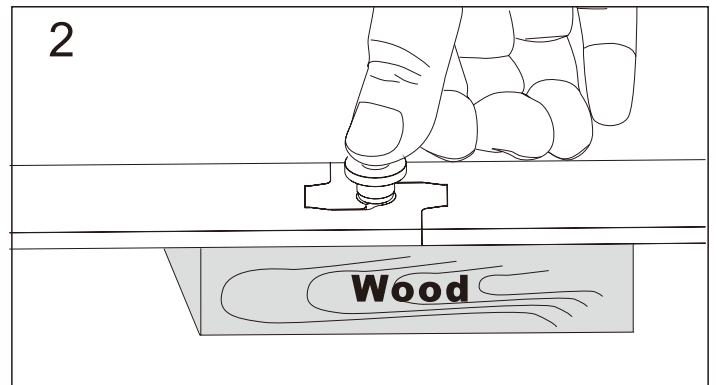
① Lay the tracks flat as shown and start splicing them together



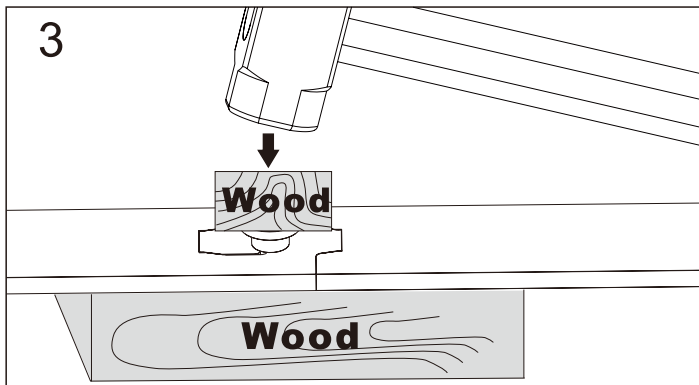
② Prepare two pieces of wood and (B) packaging



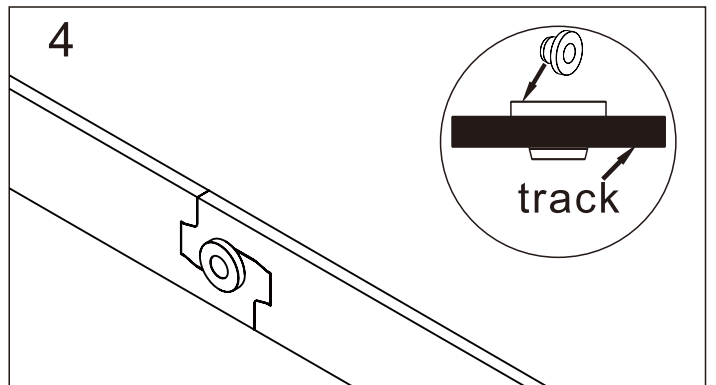
Flatten the tracks and squeeze the two tracks towards the middle



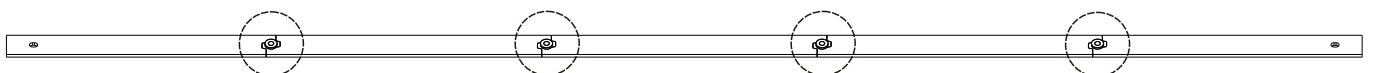
Put (B) into the hole



Place a piece of wood on top of use a hammer to secure it into the track



Then the track is connected firmly



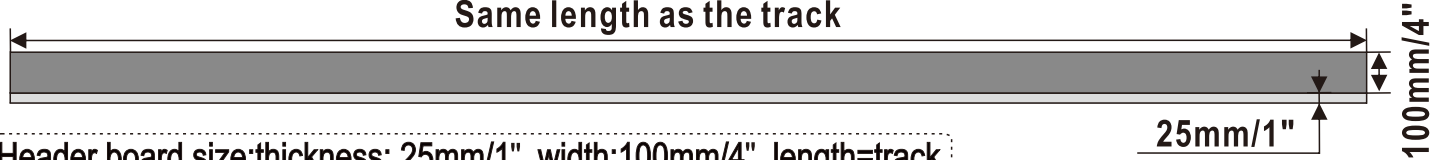
**Step 2: Install the track ("Plasterboard Wall" and "Wood Frame Wall" installation process in P7-P9; "Concrete Wall" please check P10~P12)**

**The track installation process for gypsum board wall and wood framed walls is as follows.**

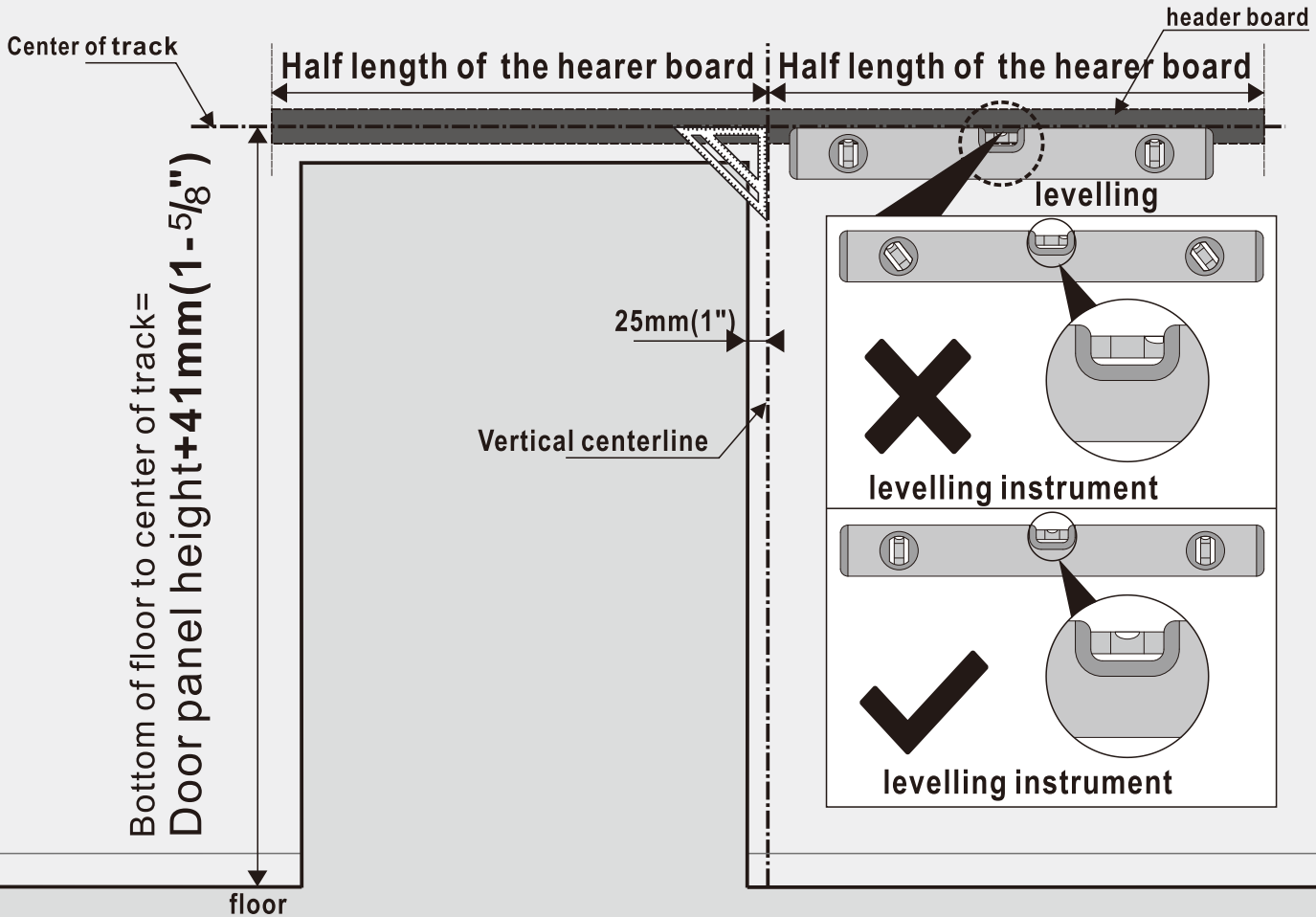
**(The header board needs to be prepared by yourself.)**

- ① Before installation, please "Prepare a Backboard" (please refer to the following suggested backboard size) and some nails needed to fix the backboard.

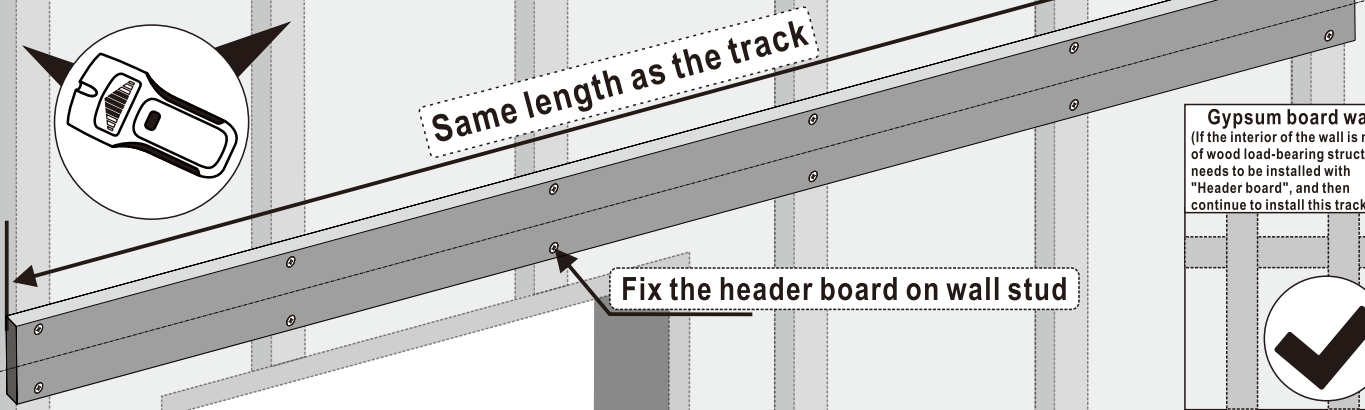
Same length as the track



- ② After the backboard is ready, please determine the installation position.



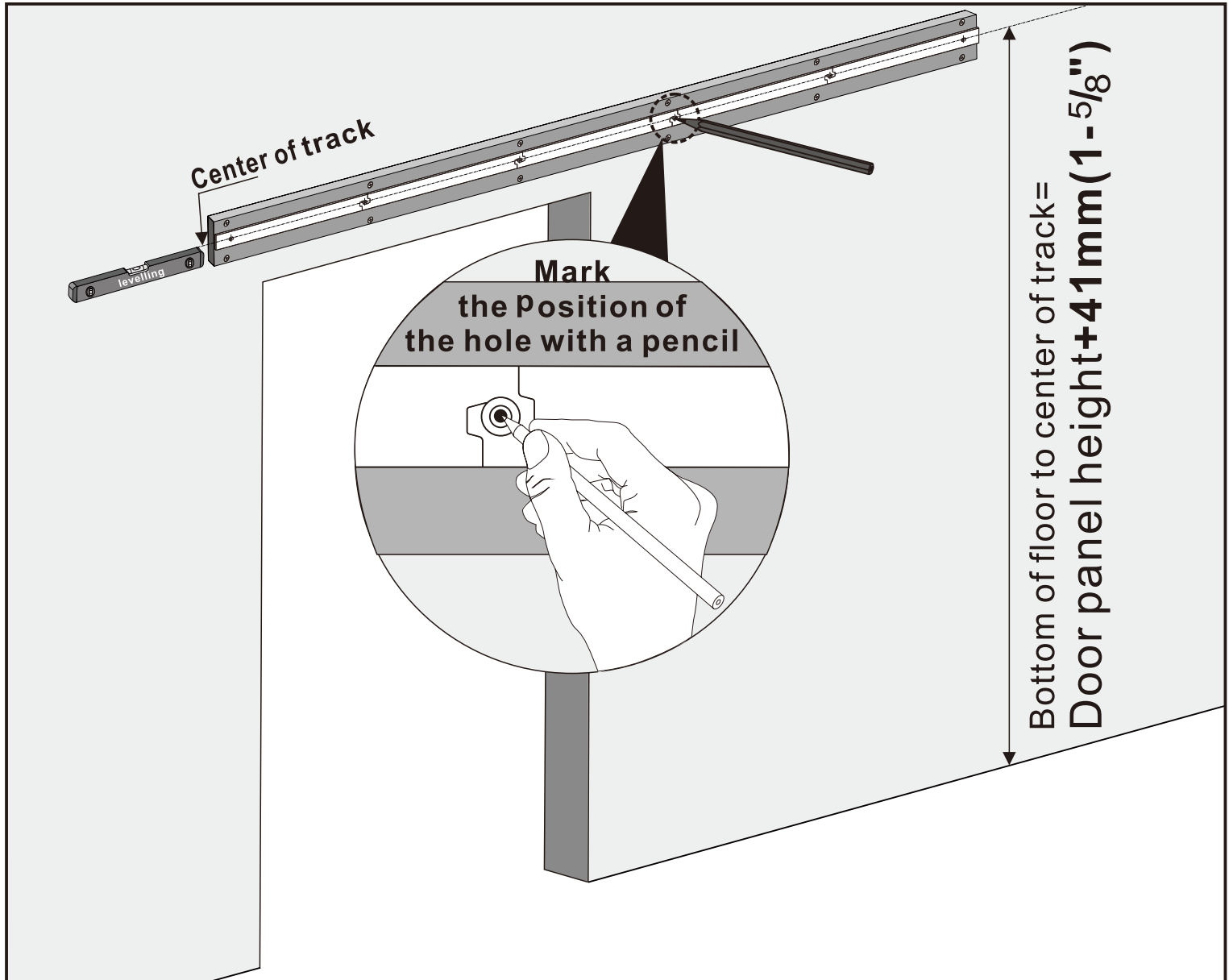
- ③ Use the Stud Finder to determine the load bearing position and install the backboard.



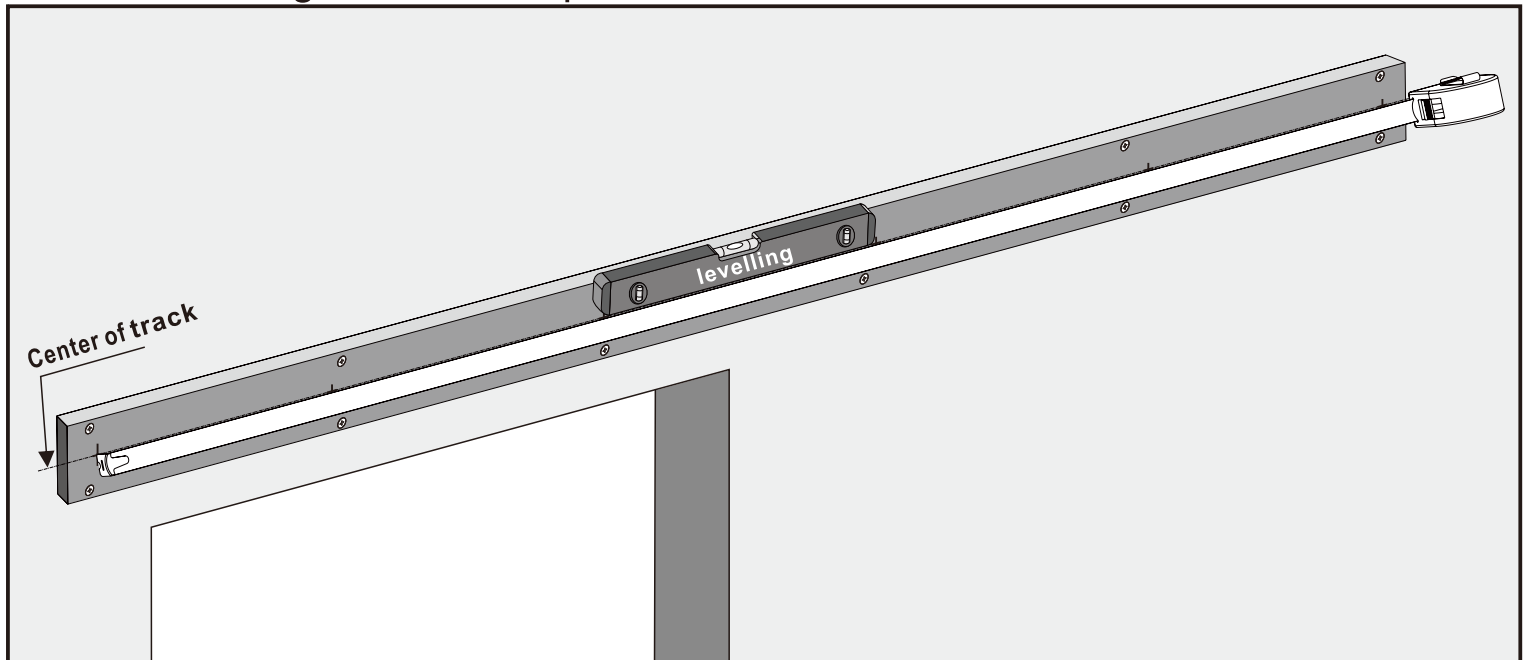


# The track installation process for gypsum board wall and wood framed walls is as follows.

④ Put the track on the Centre of Track and mark the position

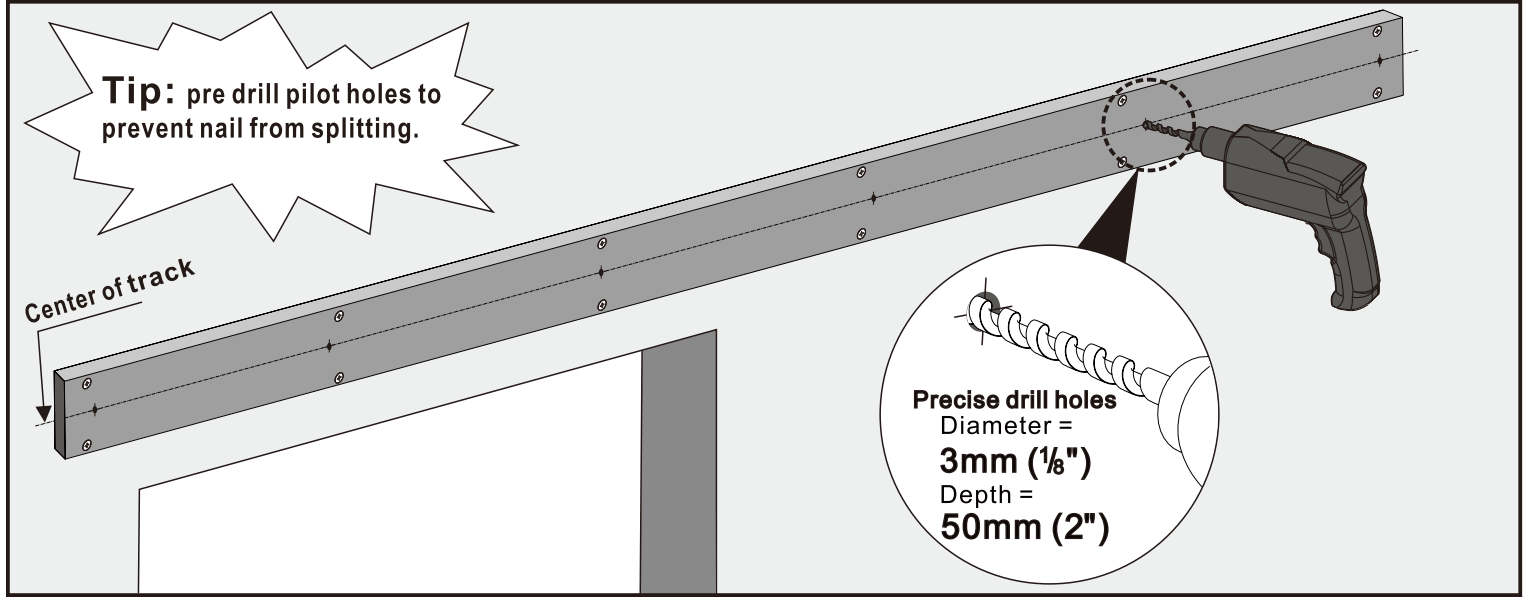


⑤ Refer to the dimensions in the attached table and proofread the dimensions again with a tape measure

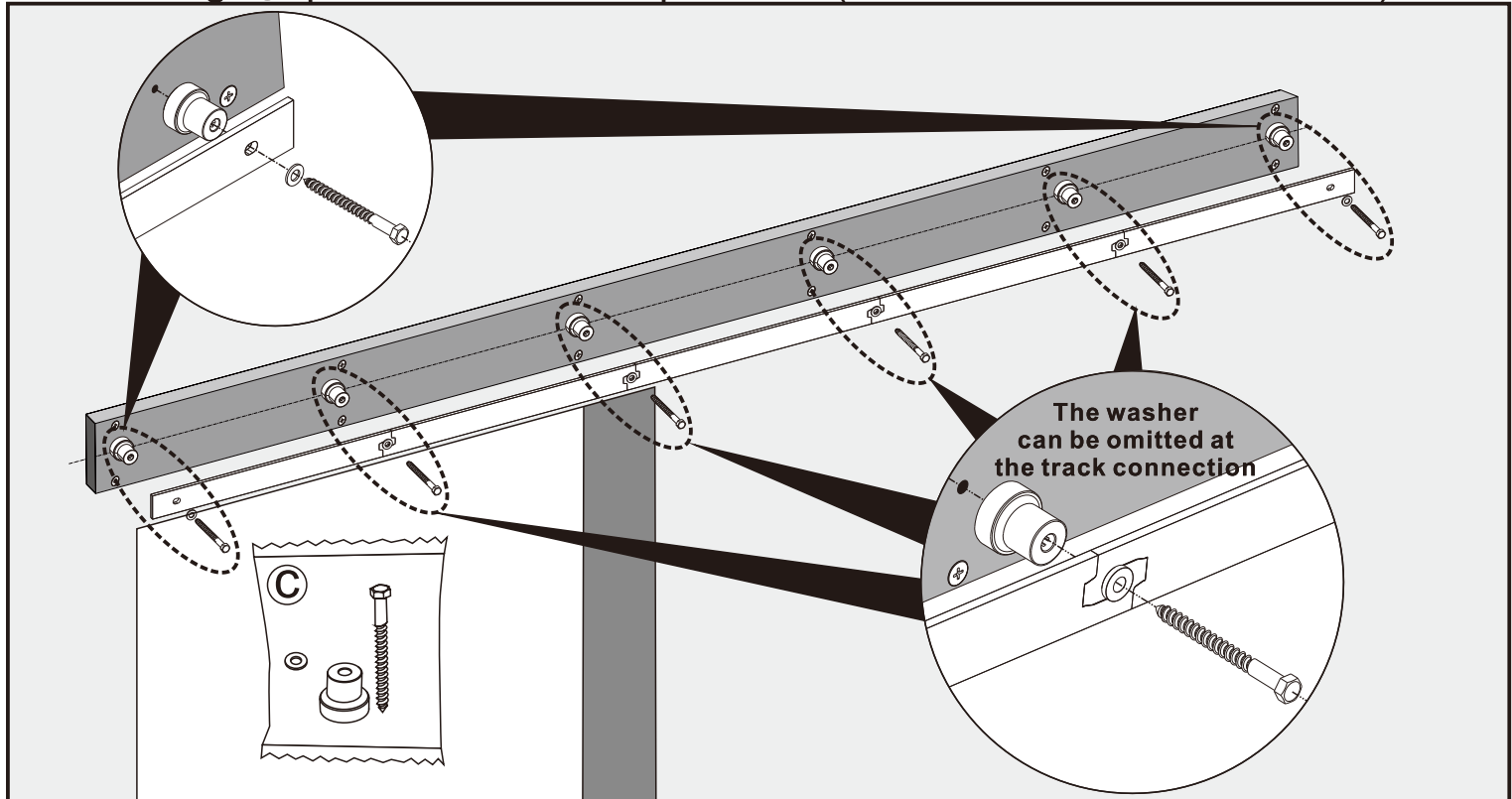


# The track installation process for gypsum board wall and wood framed walls is as follows.

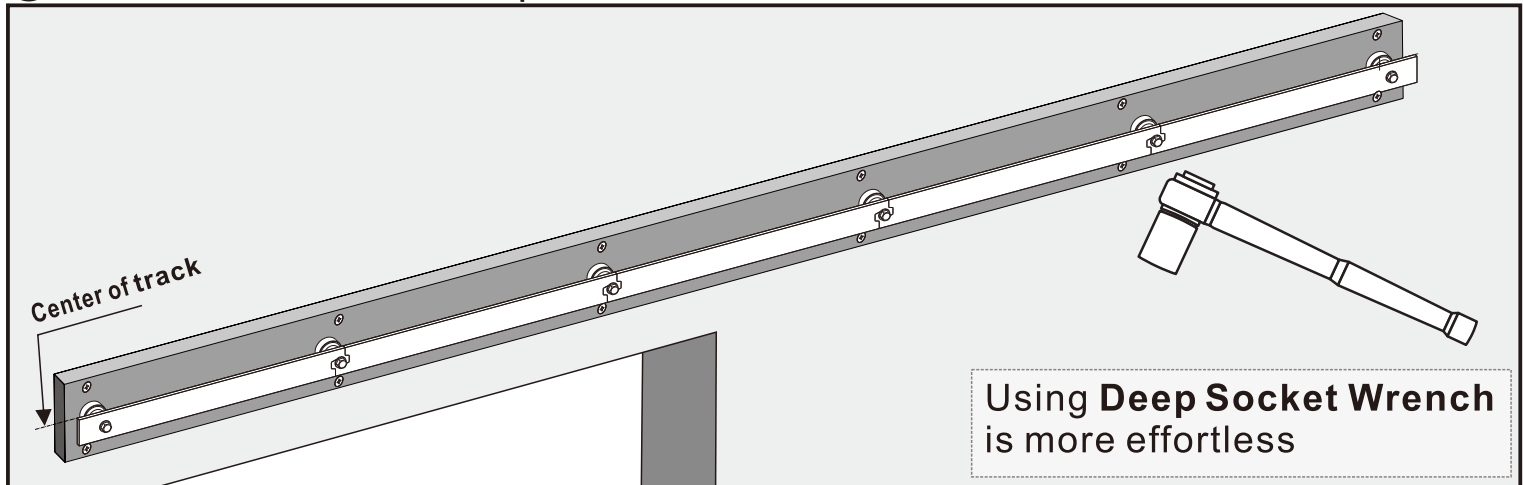
⑥ Drill deep 50mm(2") holes with 3mm( 1/8") power drill



⑦ Packing ③ parts installation position (no need to use wood nails)

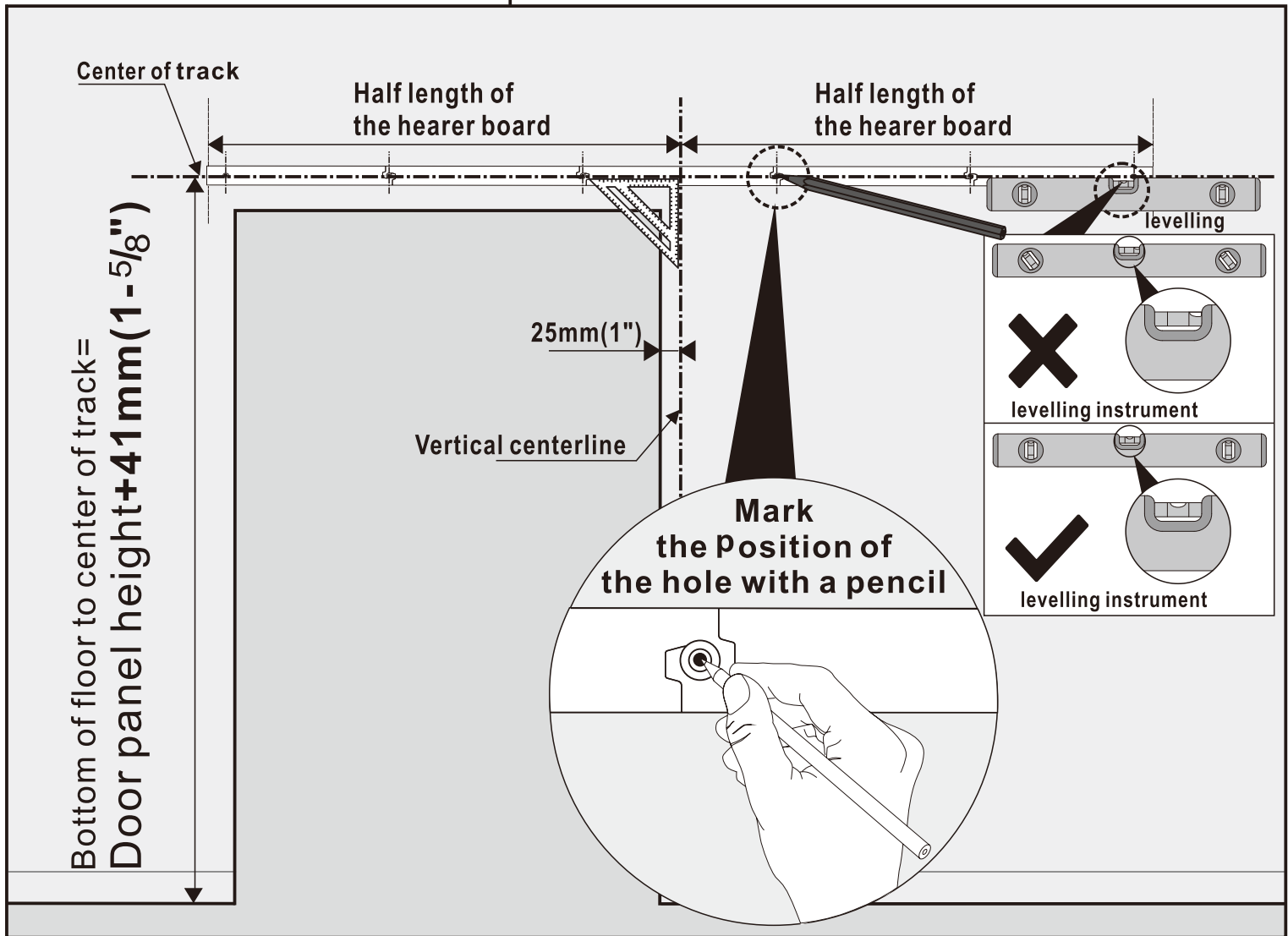


⑧ Track installation completed

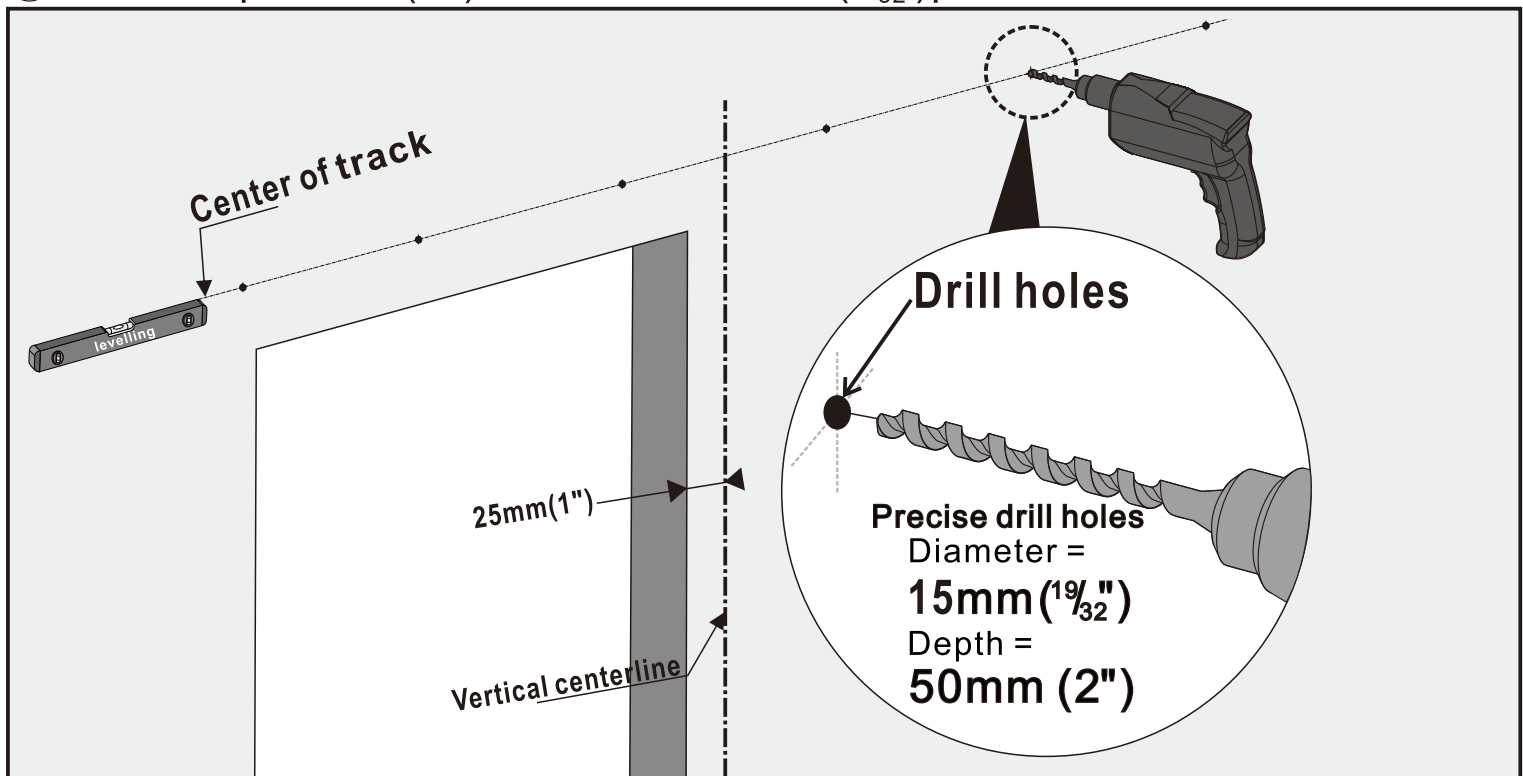


# The track installation process for Solid Brick Wall\Hollow Brick Wall\Concrete wall and cement wall is as follows.

- ① Refer to the picture instructions to locate the track mounting position and mark the location of the punched holes.

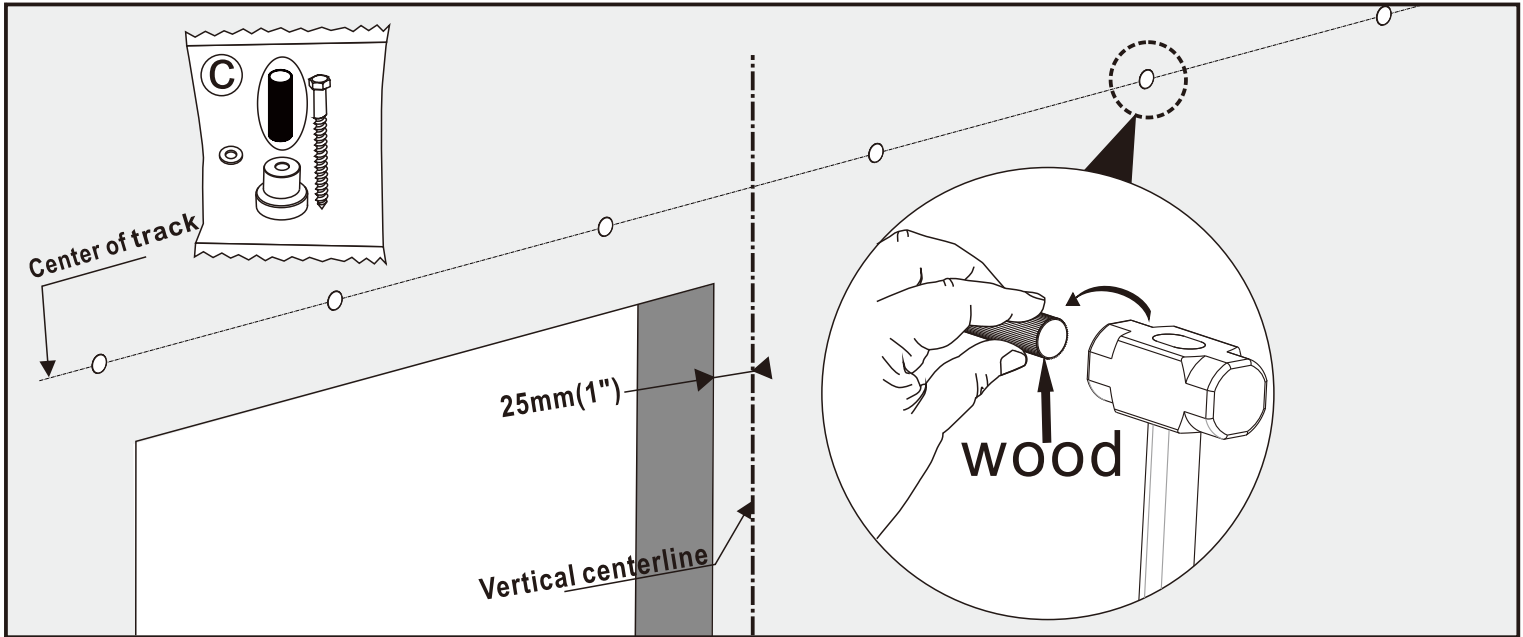


- ② Drill deep 50mm (2") holes with 15mm (19/32") power drill.

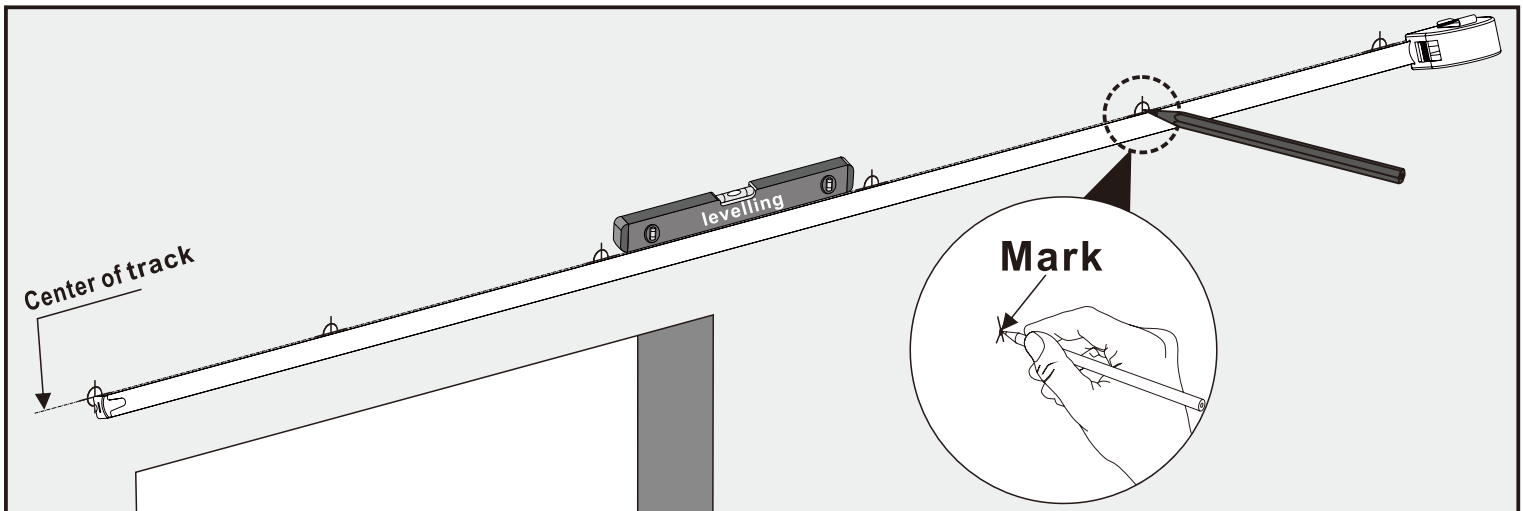


# The track installation process for Solid Brick Wall\Hollow Brick Wall\Concrete wall and cement wall is as follows.

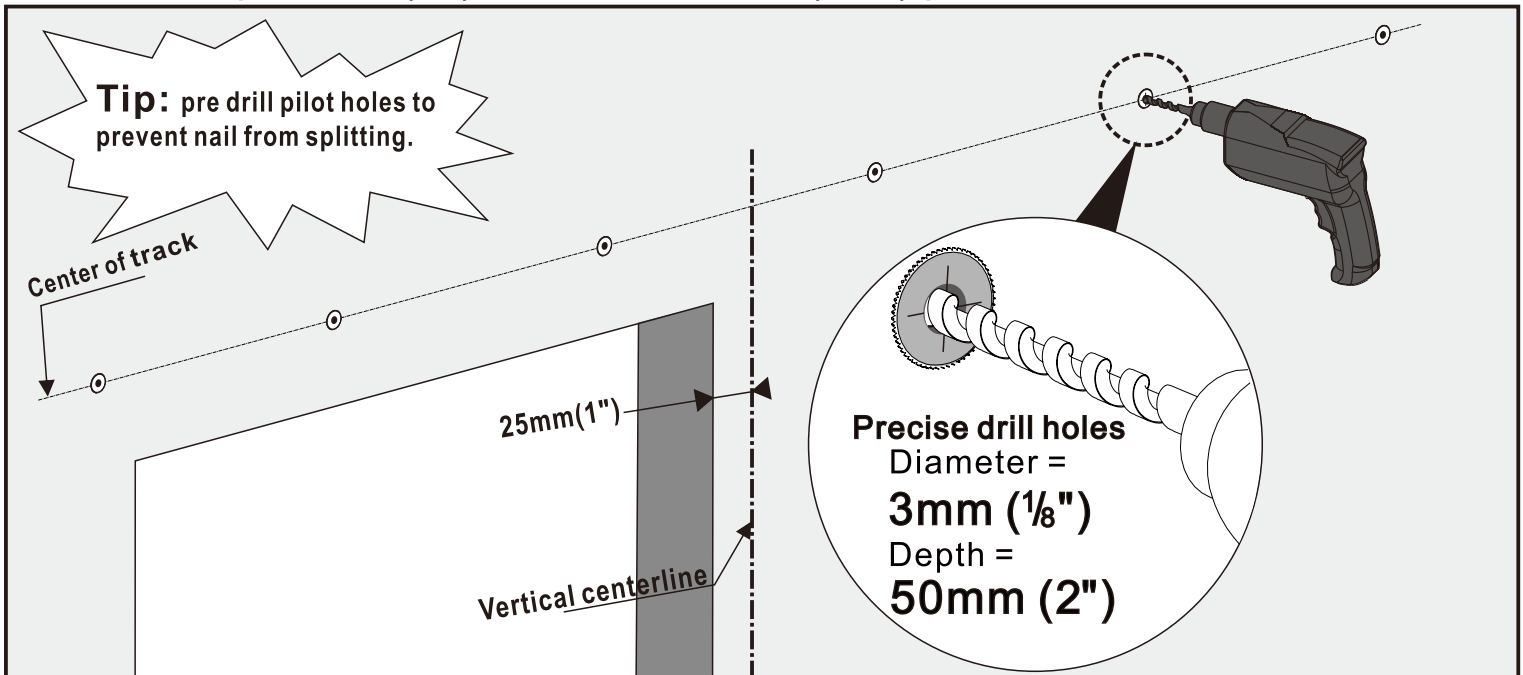
③ Take out the wood plugs from (C) and use a hammer to smash them into the hole.



④ Refer to the dimensions in the attached table and proofread the dimensions again with a tape measure (Mark the location of the punch on the wood nails.)

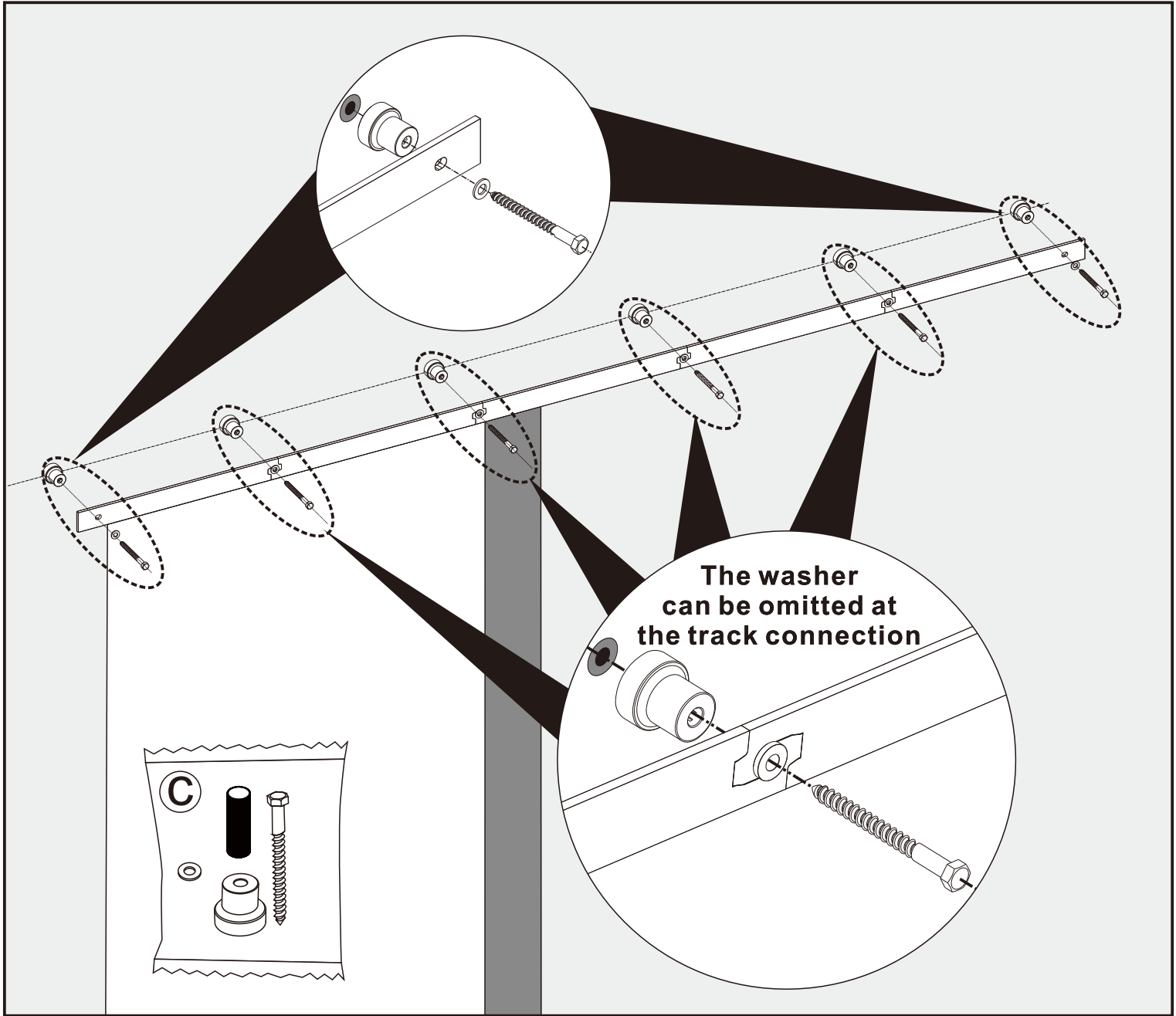


⑤ Drill deep 50mm (2") holes with 3mm (1/8") power drill

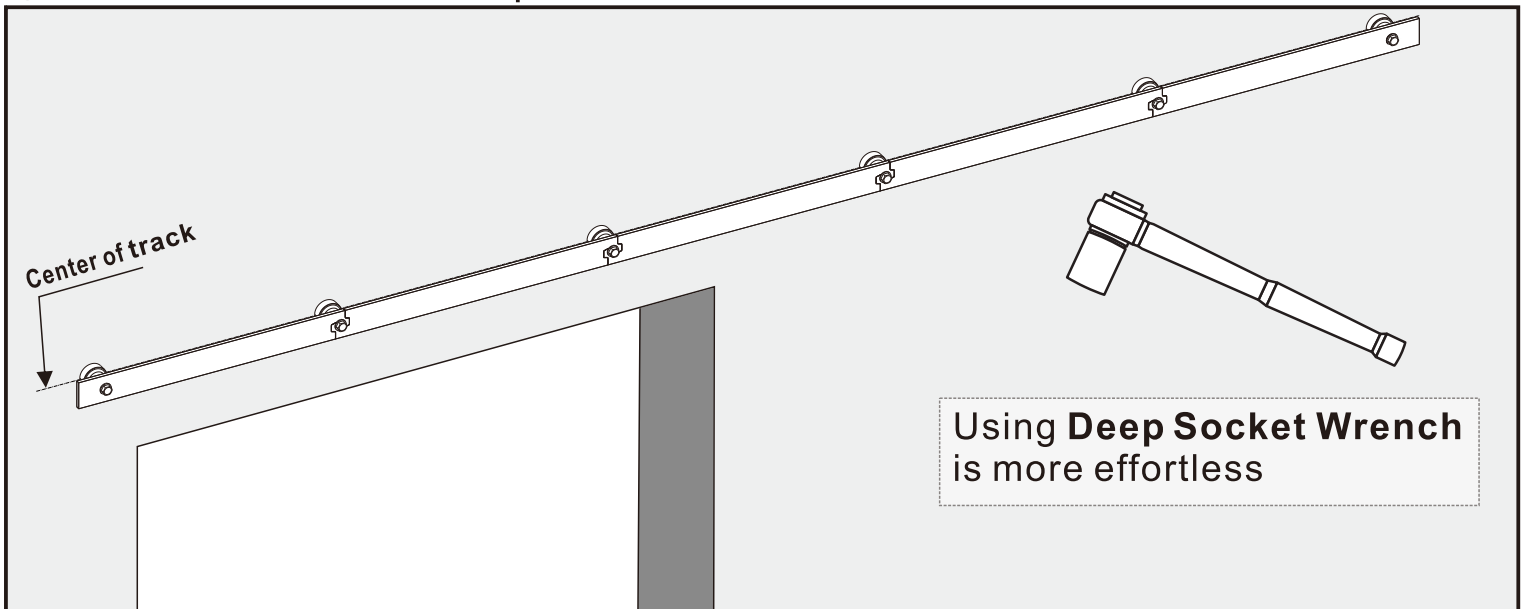


**The track installation process for Solid Brick Wall\Hollow Brick Wall\Cement wall and cement wall is as follows.**

⑥ Packing © parts installation position

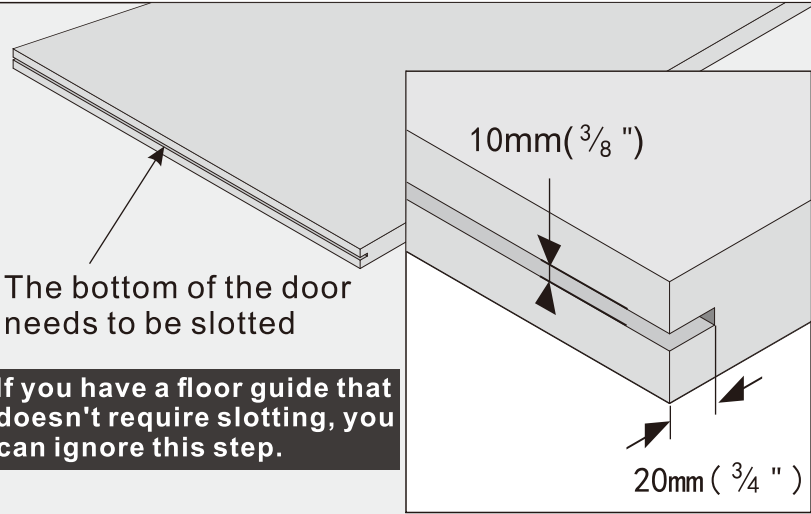


⑦ Track installation completed

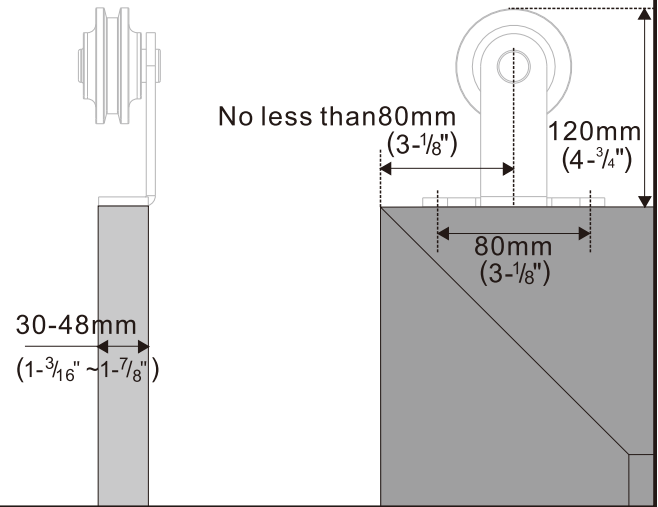


# Step3 Bottom Slotting of Door Panel and Hangers Installation

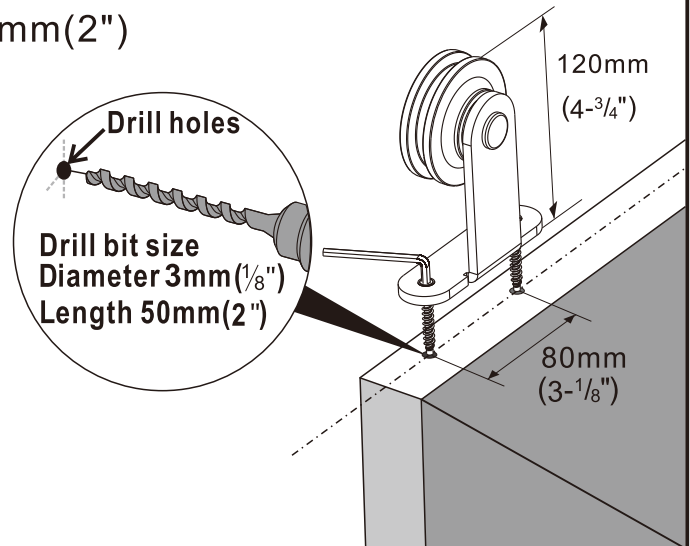
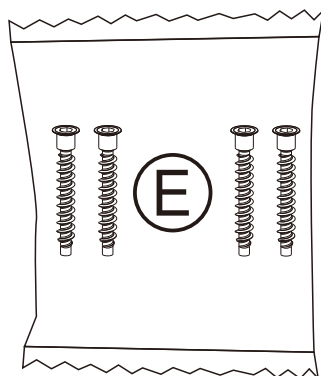
① Slot according to size at the bottom of the door.



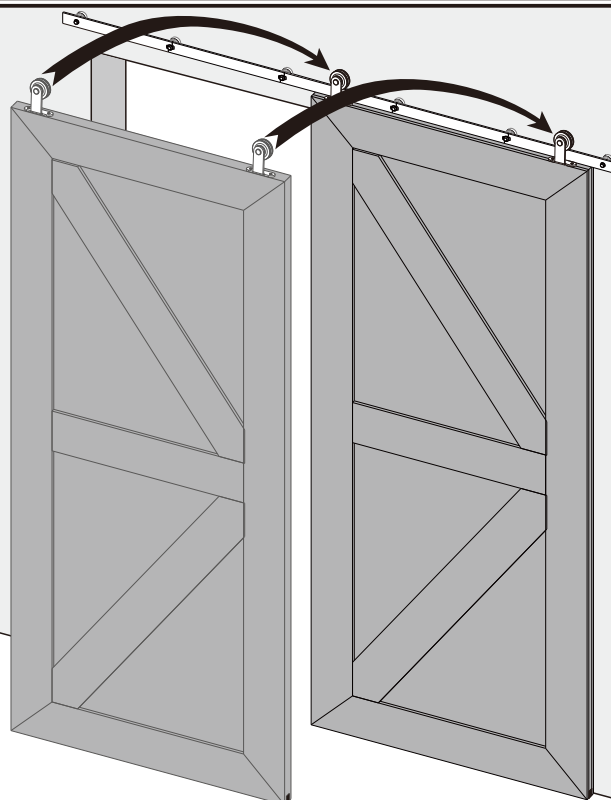
② Mark the drilling position



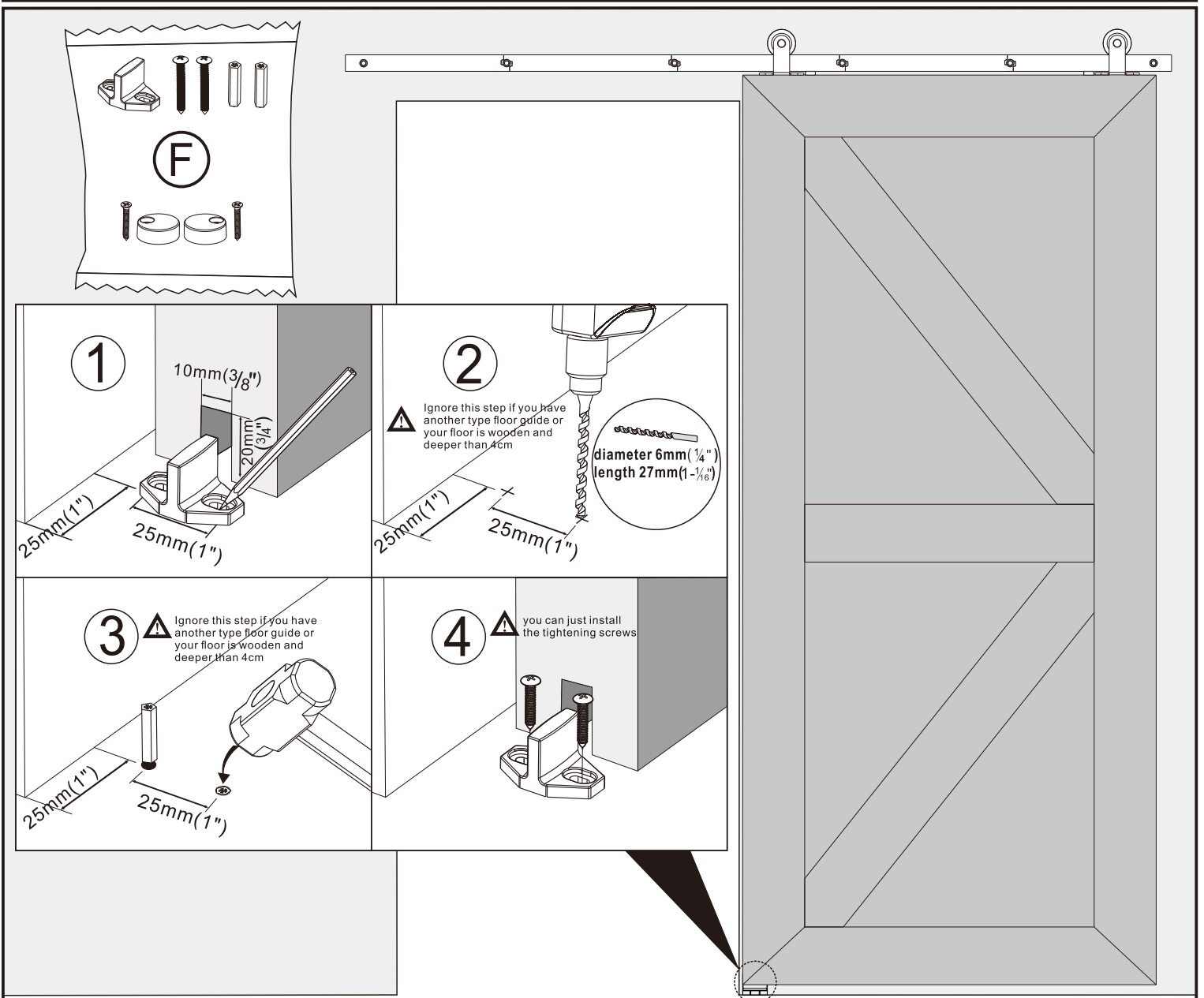
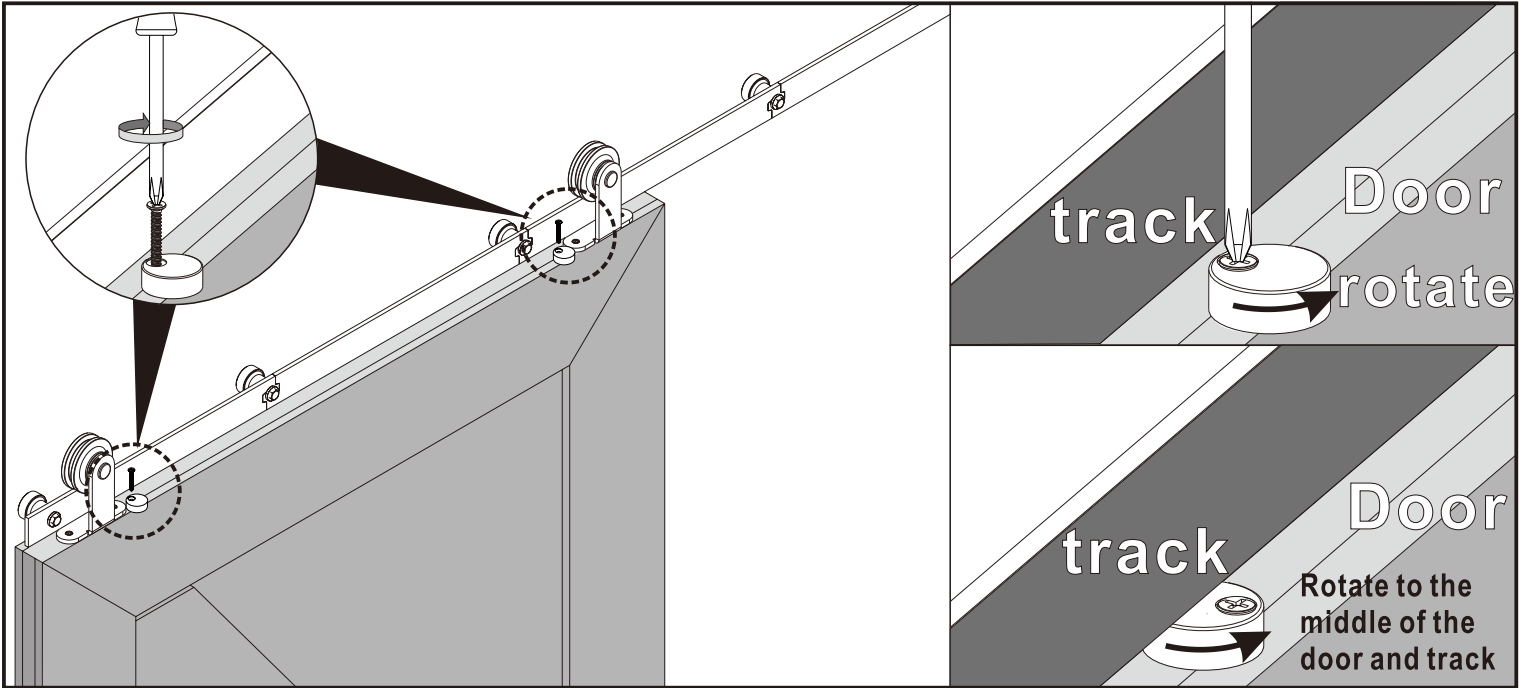
③ Use a 3mm (1/8 ") diameter drill bit to drill 50mm (2 ") deep holes on the top of the door. Fix the hanger (D) with (E) parts



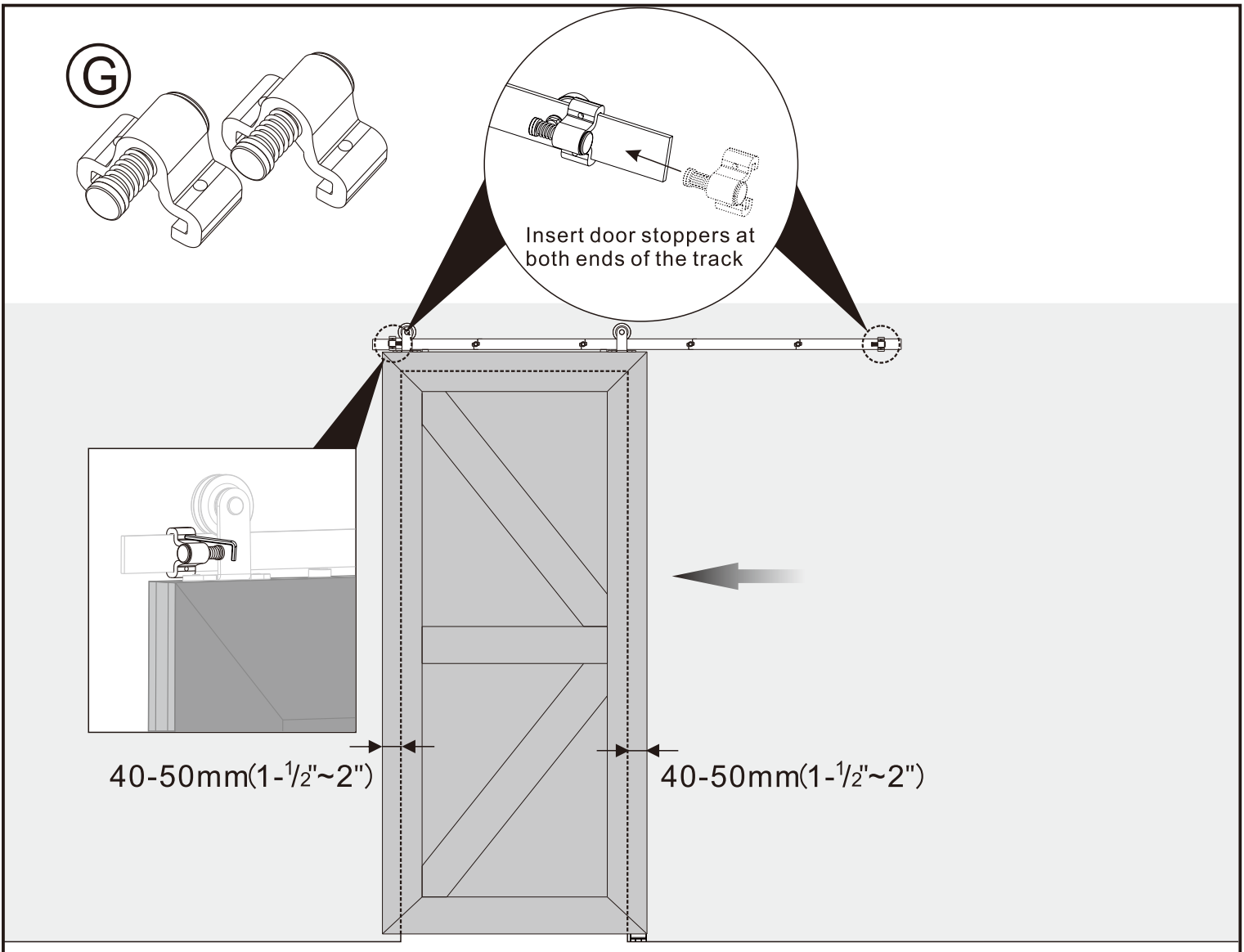
④ Hang the door on the track



# Step 4 Install Anti-slip Blocks and Floor Guide



# Step 5 Install Door Stoppers



**Adjust to the appropriate position and fixed with an allen key**

